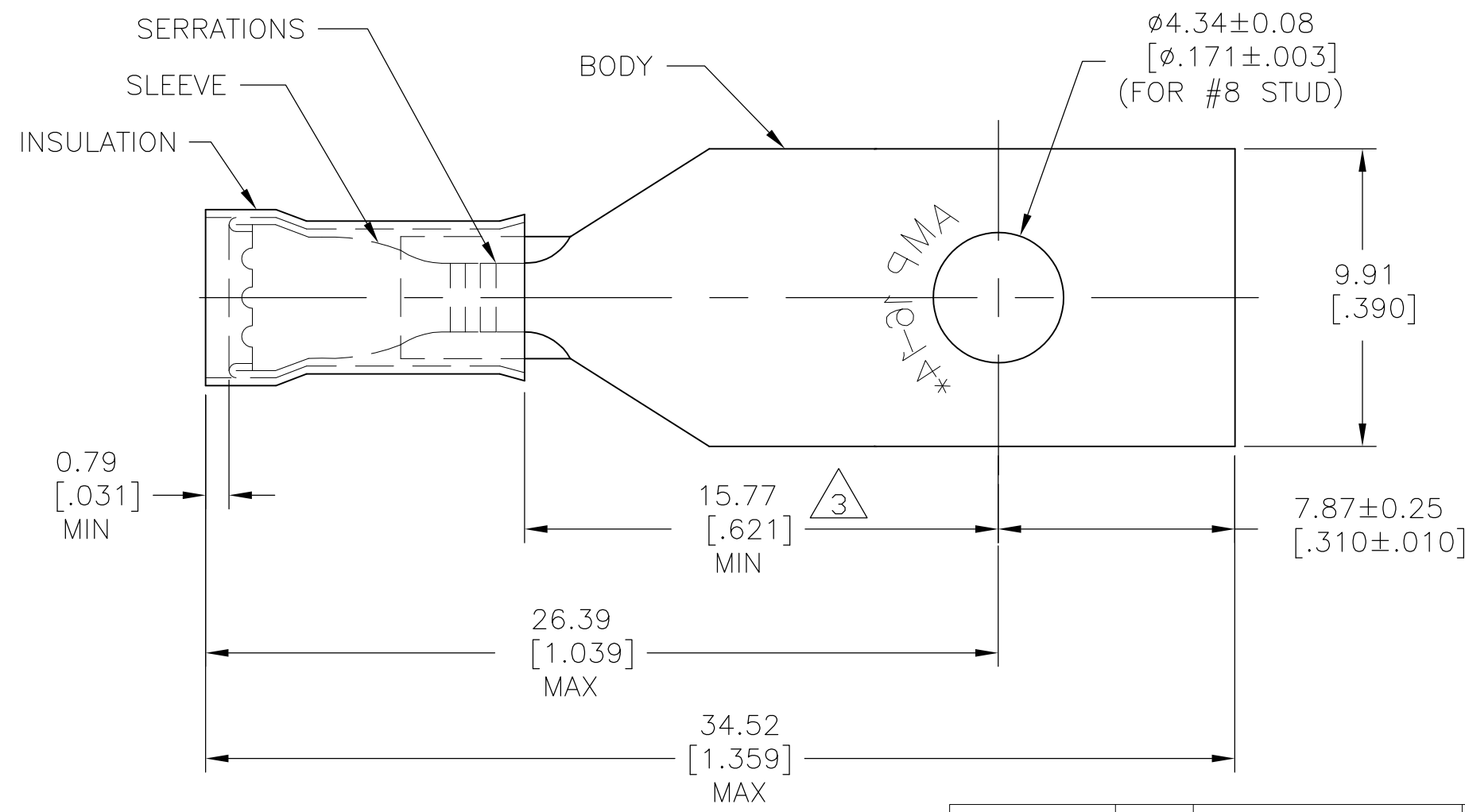


THIS DRAWING IS UNPUBLISHED. RELEASED FOR PUBLICATION
 © COPYRIGHT BY TYCO ELECTRONICS CORPORATION. ALL INTERNATIONAL RIGHTS RESERVED.

LOC	DIST	REVISIONS					
G	14	P	LTR	DESCRIPTION	DATE	DWN	APVD
			J2	REVISED PER ECR-09-026553	04DEC09	JR	TM



- 1 TONGUE MATERIAL THK: 0.79 ± 0.05 [.031 ± .002]
- 2 FOR "A" TO "B" WIRE INSULATION DIA.
- △3 APPLIES FROM THE METAL EDGE OF THE BARREL TO THE CENTER OF THE STUD
- △4 MEETS MS17143-2, CLASS 1 & 2

OBSOLETE	1	WIRE TERMINAL	INSULATION: NYLON (ASTM-D4066) TYPE 1 COLOR: BLUE BODY & SLEEVE: COPPER (ASTM-B152) TIN PL (ASTM-B545)	2-327934-1
OBSOLETE	1	2-327934-2 ON TAPE	INSULATION: NYLON COLOR: BLUE	2-327934-3
	1	WIRE TERMINAL	SLEEVE: COPPER (ASTM-B152) BODY: COPPER (ASTM-B152)	△4 2-327934-2
OBSOLETE	1	WIRE TERMINAL	TIN PL (ASTM-B545)	327934
	QTY	DESCRIPTION	MATERIAL AND FINISH	PART NO

2-327934-2	△4 2-327934-3	2.67 [.105]	3.81 [.150]	
2-327934-1	-	2.92 [.115]	4.32 [.170]	OBSOLETE
327934	-	2.92 [.115]	4.32 [.170]	OBSOLETE
PART NO	PART NO ON TAPE	"A"	"B"	

THIS DRAWING IS A CONTROLLED DOCUMENT.

DIMENSIONS: mm [INCHES]	TOLERANCES UNLESS OTHERWISE SPECIFIED:	DWN RAGHAVENDRA 01SEP09	Tyco Electronics Corporation Harrisburg, PA 17105-3608	
	0 PLC ± - 1 PLC ± - 2 PLC ± - 3 PLC ± 0.20 [.008] 4 PLC ± - ANGLES ± 5°	CHK JEFF RUTH 01SEP09	NAME TOM MICHIELUTTI	
MATERIAL SEE TABLE	FINISH SEE TABLE	APVD 01SEP09	PRODUCT SPEC APPLICATION SPEC	
			SIZE A3	CAGE CODE 00779
			DRAWING NO G-327934	RESTRICTED TO -
			WEIGHT -	SCALE 5:1
			CUSTOMER DRAWING	SHEET 1 OF 1
				REV J2