

NOTES:

1. ELECTRICAL:

- A. IMPEDANCE: 50Ω (NOMINAL)
- B. FREQUENCY RANGE: DC-6 GHz
- C. CONTACT RESISTANCE: CENTER: 20mΩ MAX.; MEASURED AT 10mA MAX. 25 mΩ MAX AFTER CYCLING  
OUTSIDE: 10mΩ MAX. 15 mΩ MAX AFTER CYCLING
- D. INSULATION RESISTANCE: 500MΩ MIN.; MEASURED AT 100 VDC.
- E. D.W.V.: NO LINE OR INSULATION BREAKDOWN: 200 VAC FOR 1 MIN.
- F. VSWR: 1.30 MAX. (DC TO 3 GHz), 1.40 MAX. (3-6 GHz)
- G. TYPICAL INSERTION LOSS : [0.00384 x (L in mm) x √Freq. in GHz] + [0.078 x √Freq. in GHz]

2. PHYSICAL:

- A. FEMALE CONTACT HOLDING FORCE: 0.15N MIN. : MEASURED WITH A Ø0.475 mm PIN GAUGE.
- B. DURABILITY: 30 CYCLES
- C. TEMPERATURE RANGE: -40°C TO +85°C.
- D. AMC CONNECTOR MATING FORCE: 15N TYPICAL
- E. AMC CONNECTOR DEMATING FORCE: 10N TYPICAL - 20N MAX
- F. AMC INTERFACE IS FULLY COMPATIBLE WITH "U.FL" SERIES PRODUCT.

3. MATERIALS AND FINISHES (in micrometers):

- CONNECTOR BODY: PHOSPHOR BRONZE, SILVER PLATED (0.76μ MIN.) OVER COPPER (1-2μ)
- CONNECTOR CENTER CONTACT: PHOSPHOR BRONZE, GOLD PLATED (0.13μ MIN.) OVER NICKEL (2-3μ)
- CONNECTOR INSULATOR: HIGH TEMP PLASTIC UL 94V-0, BLACK
- CABLE JACKET: FEP
- CABLE DIELECTRIC: FEP
- CABLE CENTER CONDUCTOR: ANNEALED COPPER WIRE STRANDED, SILVER PLATED
- CABLE OUTER CONDUCTOR: ANNEALED COPPER WIRE BRAID, TIN PLATED

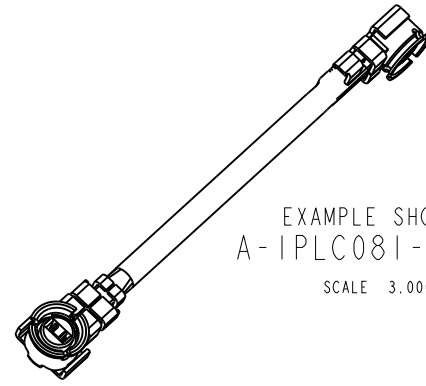
4. PACKAGING:

- A. BAGS OF 100 PIECES

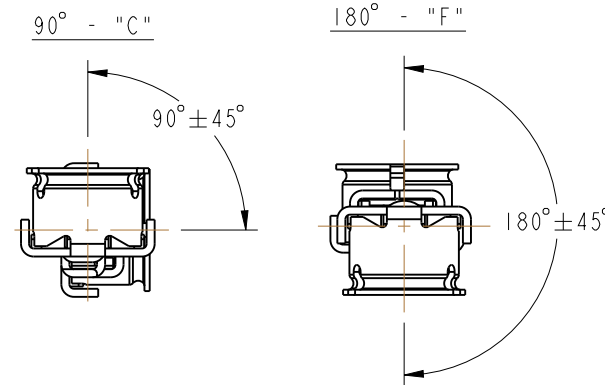
THIRD ANGLE PROJ.

REVISIONS

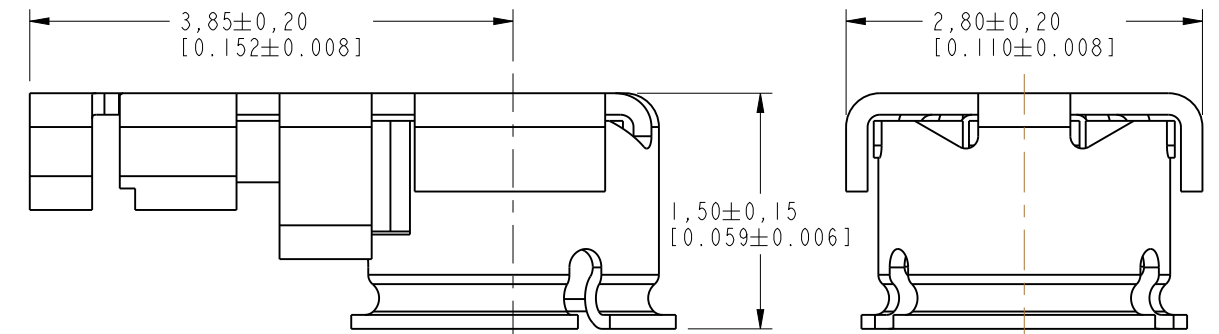
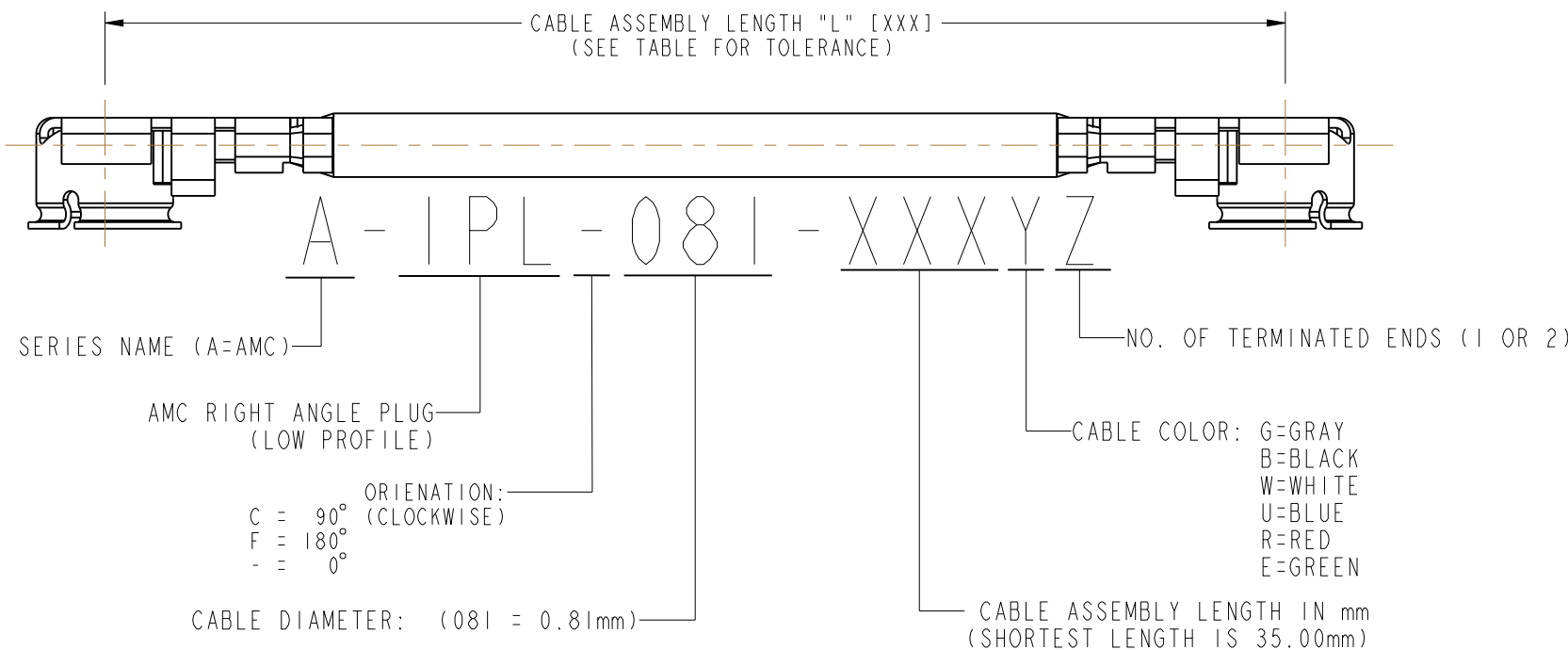
REV	DESCRIPTION	DATE	ECO	APPR
A	RELEASE TO MFG	09-Nov-16	2381	NR
B	DRAWING UPDATED	19-Jan-17	2884	AG



CABLE ASSEMBLY TOLERANCE	
OVERALL LENGTH L (mm)	STANDARD TOLERANCE (mm)
35.00 < L < 200.00	± 4.00
200.00 < L < 500.00	± 8.00
500.00 < L < 1000.00	± 12.00
1000.00 < L	± 1.50 %



AMC RIGHT ANGLE PLUG DETAILS



**CUSTOMER OUTLINE DRAWING**  
ALL OTHER SHEETS ARE FOR INTERNAL USE ONLY

UNLESS OTHERWISE SPECIFIED, DIMENSIONS ARE IN METRIC AND TOLERANCES ARE:  
 <0.5mm ±0.05mm    0.5 - 6mm ±0.1mm    6 - 30mm ±0.2mm    30 - 120mm ±0.3mm    ANGLES ±1°

NOTICE - These drawings, specifications, or other data (1) are, and remain the property of Amphenol corp. (2) must be returned upon request; and (3) are confidential and not to be disclosed to any person other than those to whom they are given by Amphenol Corp. the furnishing of these drawings, specifications, or other data by Amphenol Corp., or to any other person to anyone for any purpose is not to be regarded by implication or otherwise in any manner licensing, granting rights to permitting such holder or any other person to manufacture, use or sell any product, process or design, patented or otherwise, that may in any way be related to or disclosed by said drawings, specifications, or other data.

MATERIAL	SEE NOTES	DRAWN	RAJAGOPAL N	DATE	16-Mar-16	TITLE	AMC R/A PLUG TO AMC R/A PLUG USING 0.81 CABLE		Amphenol RF www.amphenolrf.com
REFERENCE	EAR # 7140	ENGINEER	RAJAGOPAL N	DATE	16-Mar-16	SCALE: 6.0:1.0	SHEET	2 OF 2	
CONFIGURATION LEVEL:	In Work	APPROVED	K.CAPOZZI	DATE	19-Jan-17	DWG SIZE	B	REV	B
FINISH		CAD FILE							DRAWING NO. A-IPL-081-XXXYZ
									ITEM NO. A-IPL-081-XXXYZ
									PART NO. A-IPL-081-XXXYZ