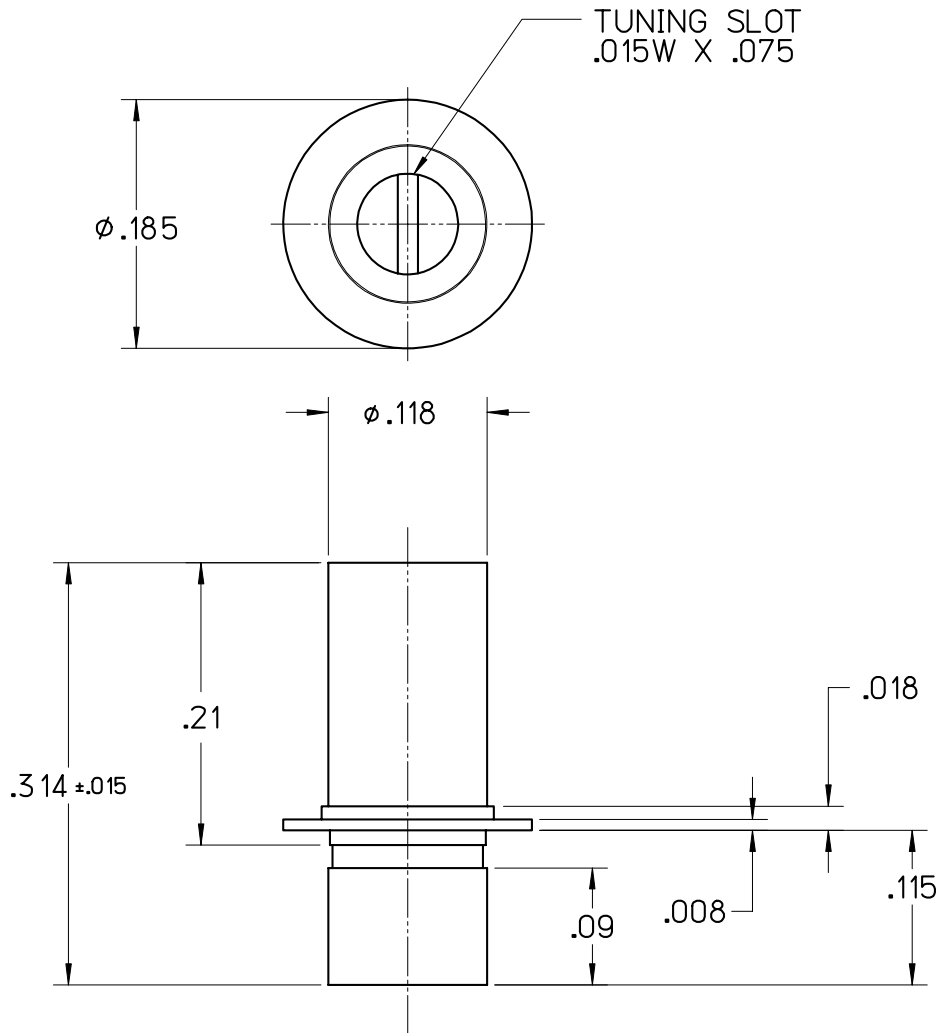


27275-3

B

TRIMMER CAPACITOR (GIGA-TRIM[®])



SPECIFICATIONS		FILE: AIROUT
CAPACITY RANGE	0.6pF TO 4.5pF (>8 TURNS)	
WORKING VOLTAGE	500 VDC (1000 VDC TEST)	
Q @250 MHz	>3000	
INSULATION RESISTANCE	>10 ⁶ MEGOHMS	
TEMPERATURE RANGE	-65°C TO +125°C	
TORQUE	0.2 TO 2.0 OZ. IN	
ROTATIONAL LIFE	50 CYCLES (400 REVOLUTIONS)	
VIBRATION	15G @ 10-2000 Hz	
SHOCK	100G @ 6 ms	
MOISTURE RESISTANCE	10-24 HR. CYCLE	
BRASS & INVAR STRUCTURE		
SAPPHIRE DIELECTRIC		
FINISHES: GOLD AND SILVER PLATE		
ACTUAL SIZE		

B	10/27/06	MLD	-	-	000442
LEVEL	DATE	DRN.	CHK.	APP.	ECN
REVISIONS					
DRN.	MLD	CHK.	MAI	APP.	MAI
SCALE	7" = 1"				
DATE	DATE	DATE	.XX ± .015 .XXX ± .005		
10/27/06	03/20/07	03/20/07			



JOHANSON MANUFACTURING CORPORATION
 ROCKAWAY VALLEY ROAD, BOONTON, N.J. 07005 (973)334-2676 FAX (973)334-2954
 ELECTRONIC ACCURACY THROUGH MECHANICAL PRECISION