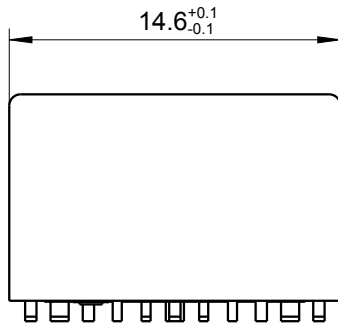
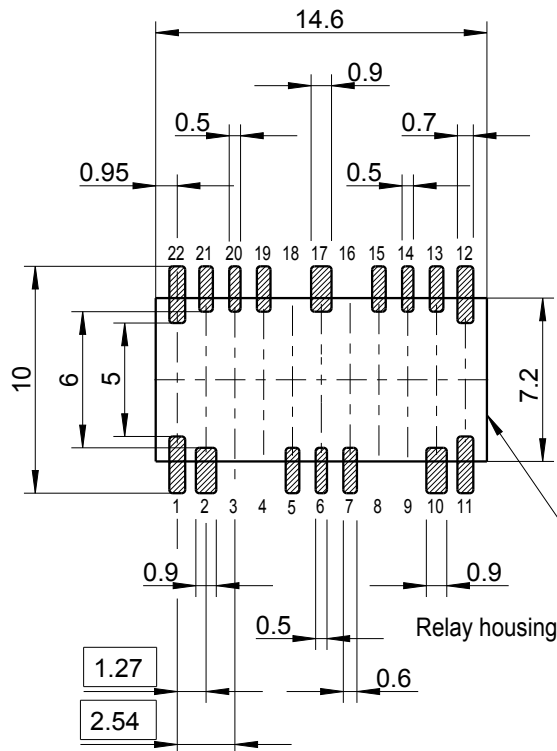
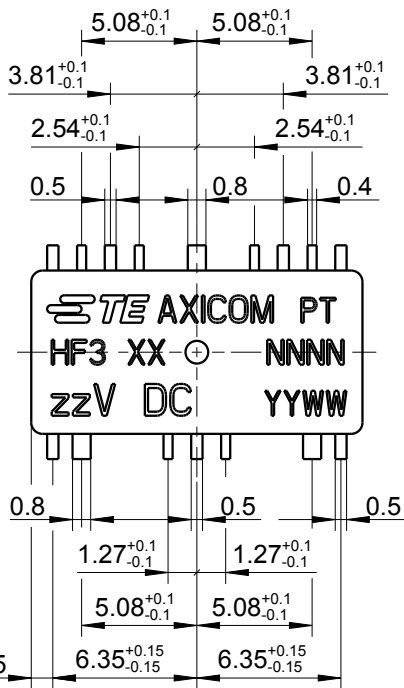
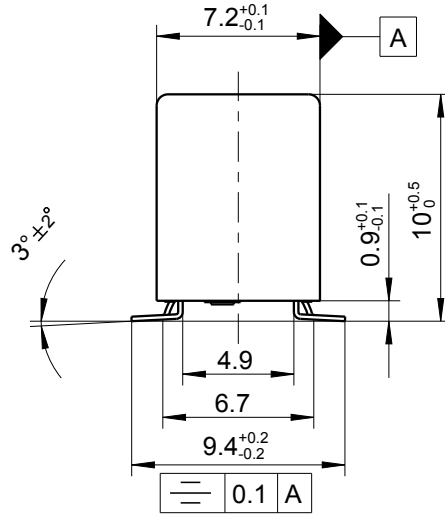


| LOC | DIST | REVISIONS |     |   |           |     |      |
|-----|------|-----------|-----|---|-----------|-----|------|
|     |      | P         | LTR | DESCRIPTION                               | DATE      | DWN | APVD |
| HJ  | -    |           | C   | Printing                                  | 21JUL2009 | UKo | HD   |
|     |      |           | D   | Printing                                  | 09JUL2010 | UKo | HD   |
|     |      |           | D1  | REVISED PER ECO-11-005150                 | 25MAR2011 | UKo | HMR  |
|     |      |           | D2  | REVISED PER ECO-11-017072 (ECR-13-009645) | 14JUN2013 | UKo | AK   |
|     |      |           |     |   |           |     |      |



Coplanarity ≤ 0.10mm



XX = Relay type  
 zz = nominal voltage  
 YYWW = Date code  
 NNNN = Lot number

2005

RELEASED FOR PUBLICATION

ALL RIGHTS RESERVED.

THIS DRAWING IS UNPUBLISHED.  
 COPYRIGHT © 2005 BY TE Connectivity

|  |                  |          |           |                  |           |             |               |
|--|------------------|----------|-----------|------------------|-----------|-------------|---------------|
| DIMENSIONS:<br>mm                                    | DWN              | UKo 9193 | 16AUG2002 | MATERIAL         | -         | FINISH      | -             |
|  | CHK              | HD 9121  | 16AUG2002 | TE Connectivity  |           |             |               |
| TOLERANCES UNLESS OTHERWISE SPECIFIED:<br>DIN 7168-m | APVD             | HD 9121  | 16AUG2002 |                  |           |             |               |
| 0 PLC ±-   | PRODUCT SPEC     | -        |           | HF3-Relay 75Ω    |           |             |               |
| 1 PLC ±-   | APPLICATION SPEC | -        |           | Dimensions       |           |             |               |
| 2 PLC ±-   | WEIGHT           | -        |           | SIZE             | CAGE CODE | DRAWING NO  | RESTRICTED TO |
| 3 PLC ±-   |                  |          |           | A4               | 00779     | C-1462050-2 | -             |
| 4 PLC ±-   |                  |          |           | CUSTOMER DRAWING |           |             |               |
| ANGLES ±-  |                  |          |           | SCALE            | SHEET     | OF          | REV           |
|  |                  |          |           | 3:1              | 1         | 1           | D2            |