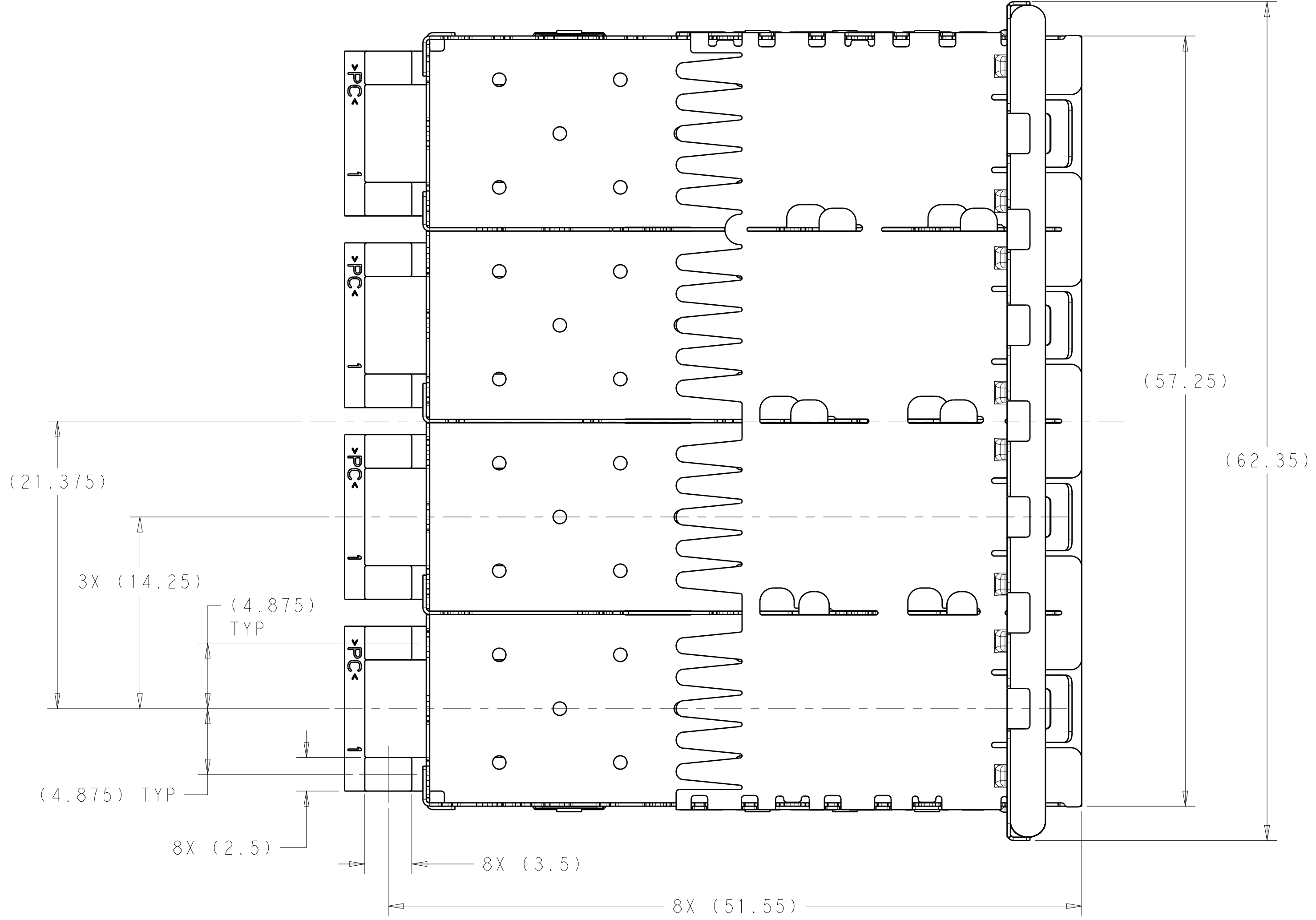
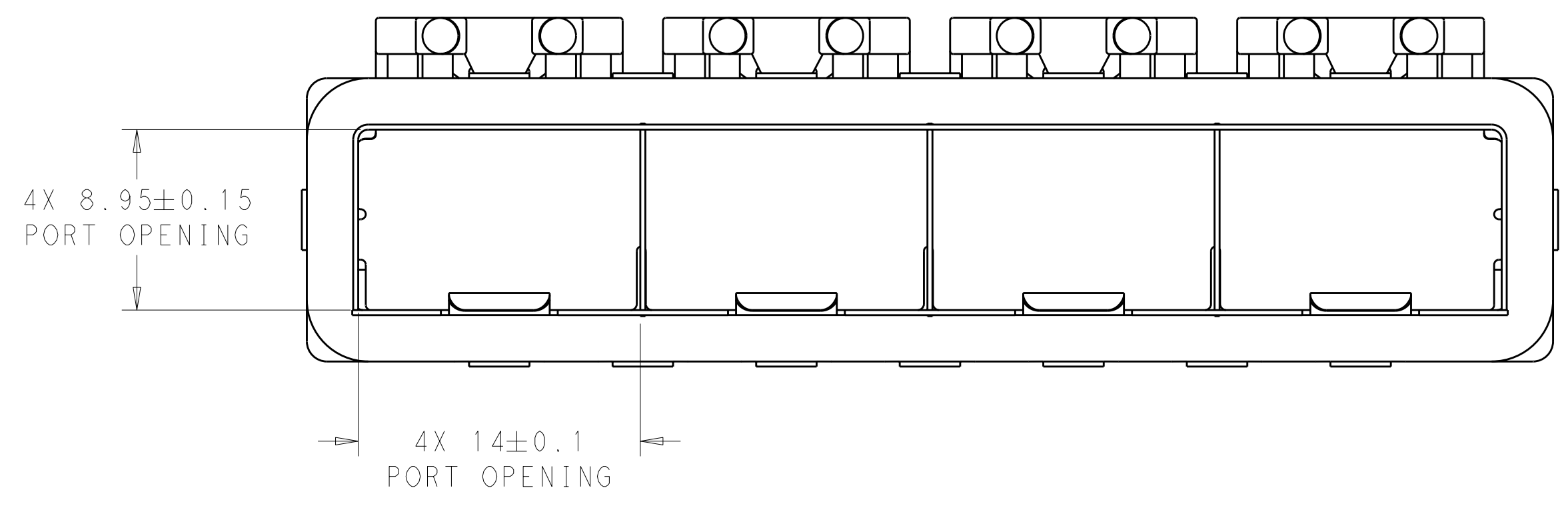
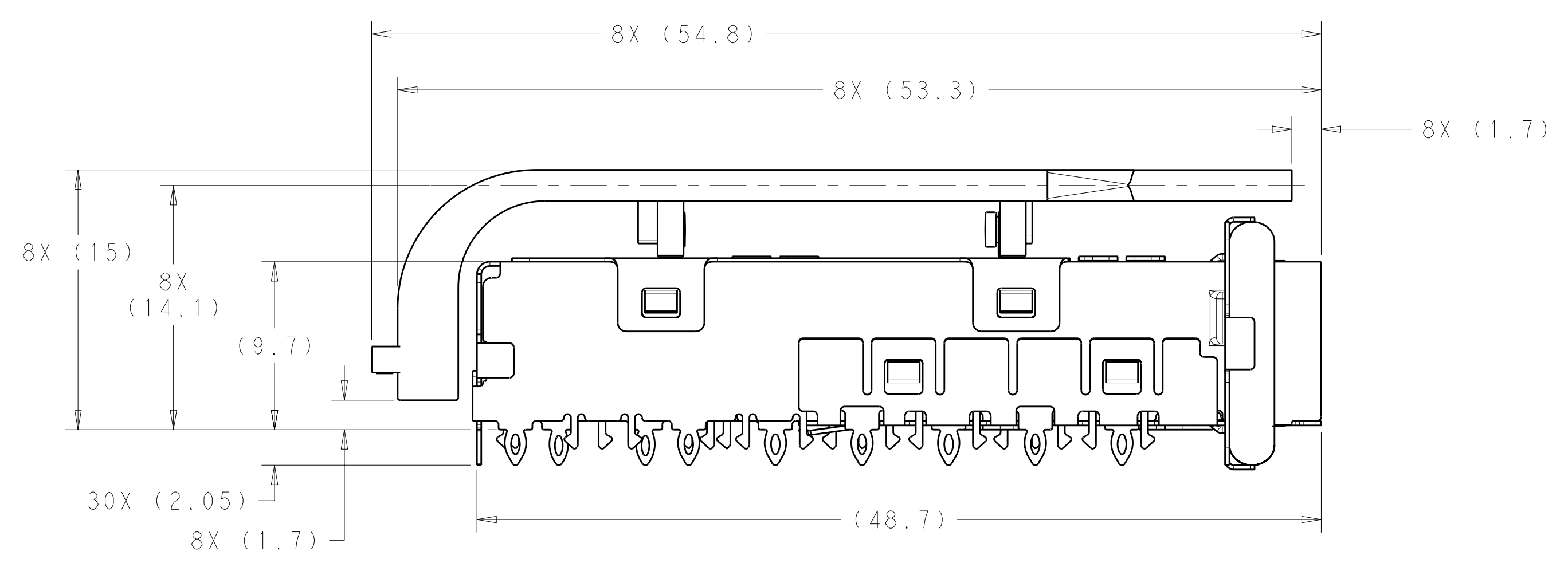
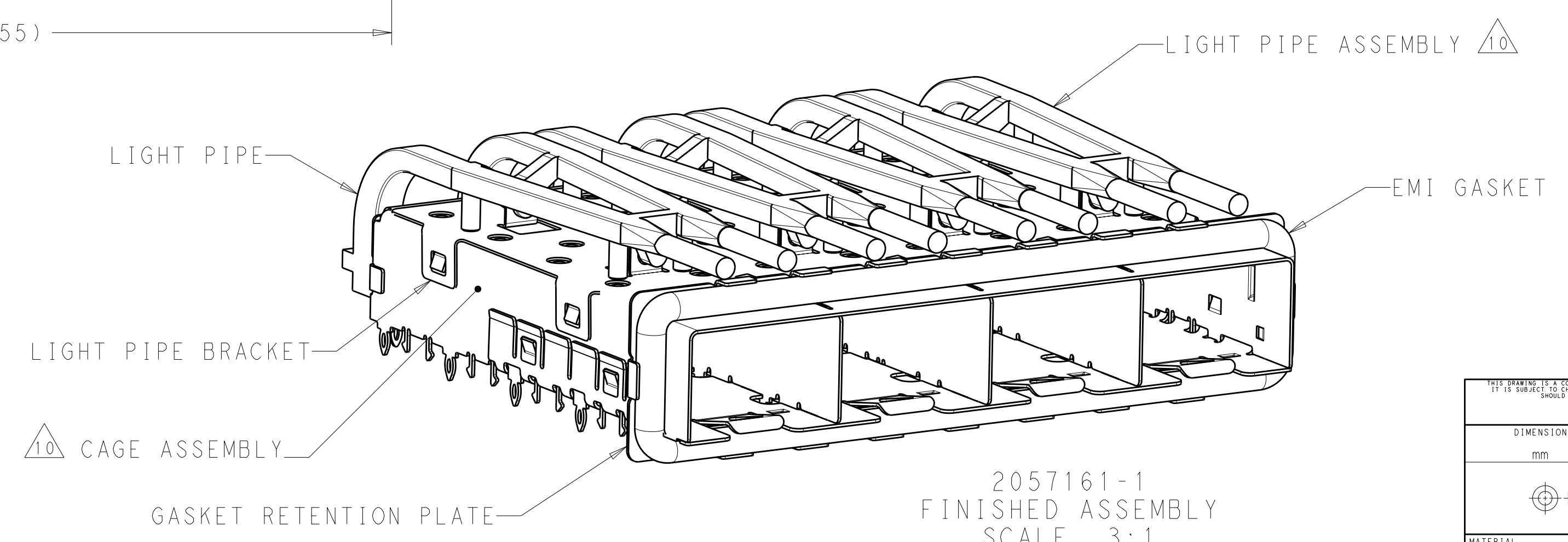


LOC		DIST		REVISIONS			
GP	00	P	LTR	DESCRIPTION	DATE	DWN	APVD
		A		RELEASED PER ECO-10-025263	22FEB2011	CJV	JTL



- △ MATERIAL:  
 CAGE ASSEMBLY: NICKEL SILVER ALLOY  
 GASKET RETENTION PLATE: STAINLESS STEEL  
 EMI GASKET: PLATED FILLED SILICONE  
 LIGHT PIPE BRACKET: STAINLESS STEEL  
 LIGHT PIPE: POLYCARBONATE, CLEAR
- △ DATUM AND BASIC DIMENSION ESTABLISHED BY CUSTOMER.
- 3. MATES WITH SFP MSA COMPLIANT TRANSCEIVERS.
- △ PADS AND VIAS CHASSIS GROUND.
- 5. INTERPRETATION OF DATUM REFERENCE FRAME IN ACCORDANCE WITH SECT 4.4.1.1 OF ASME Y14.5M-1994.
- △ MINIMUM PC BOARD THICKNESS: SINGLE SIDED = 1.45
- △ HOLE PATTERN REPEATS FOR EACH PORT. SPACING BETWEEN PORTS IS 14.25mm.
- △ REFERENCE APPLICATION SPEC. 114-13120, HOLE A, FOR RECOMMENDED DRILL HOLE DIAMETER AND PLATING THICKNESS.
- △ REFERENCE APPLICATION SPEC. 114-13120, HOLE B, FOR RECOMMENDED DRILL HOLE DIAMETER AND PLATING THICKNESS.
- △ LIGHT PIPE ASSEMBLY SHIPPED UNASSEMBLED TO CAGE ASSEMBLY. CAGE ASSEMBLY TO BE PRESSED INTO THE PCB PRIOR TO ATTACHING THE LIGHT PIPE ASSEMBLY TO THE CAGE.

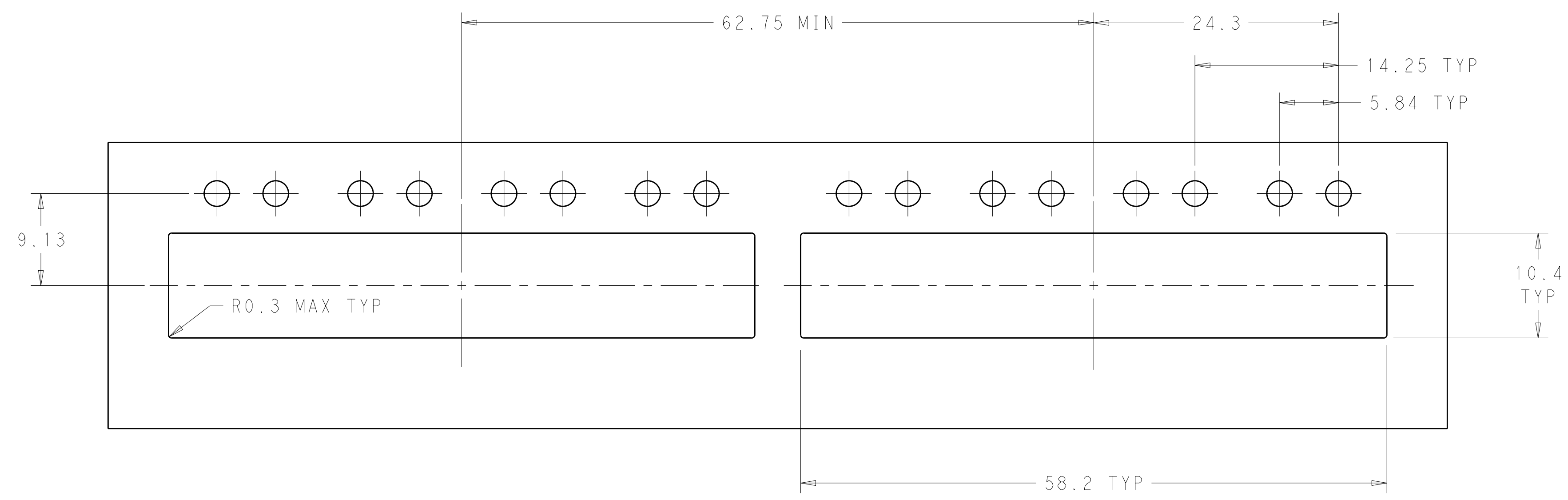


2057161-1  
 FINISHED ASSEMBLY  
 SCALE 3:1

2057161-1  
 PART NUMBER

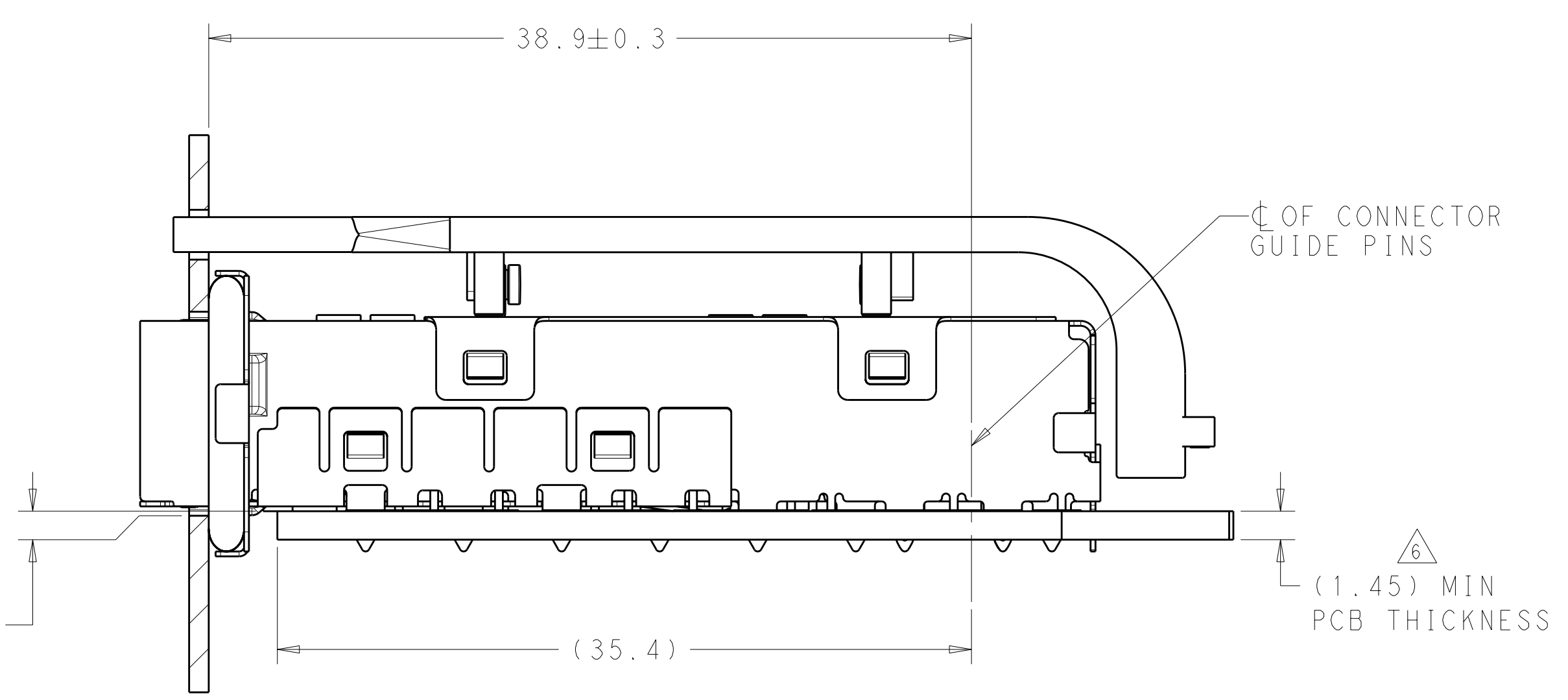
<small>THIS DRAWING IS UNPUBLISHED. RELEASED FOR PUBLICATION BY TYCO ELECTRONICS CORPORATION. ALL RIGHTS RESERVED. THIS DRAWING IS UNPUBLISHED. RELEASED FOR PUBLICATION BY TYCO ELECTRONICS CORPORATION. ALL RIGHTS RESERVED.</small>		DWN: J. LIPPERT 15OCT2010 CHK: M. SCHMITT 15OCT2010 APVD: M. SCHMITT 15OCT2010	Tyco Electronics Harrisburg, PA 17105-3608
DIMENSIONS: mm 9 PLC ±0.1 1 PLC ±0.1 3 PLC ±0.1 4 PLC ±0.1 5 PLC ±0.1 ANGLES ±0.1	TOLERANCES UNLESS OTHERWISE SPECIFIED: ±0.1 ±0.1 ±0.1 ±0.1 ±0.1 ±0.1	NAME: SFP+ 1X4 ENHANCED CAGE ASSEMBLY, PRESS FIT, EMI GASKET WITH LIGHT PIPE PRODUCT SPEC: APPLICATION SPEC: 114-13120 WEIGHT:	SIZE: A100779 CAGE CODE: C=2057161 DRAWING NO: 2057161-1 RESTRICTED TO:
MATERIAL: -		CUSTOMER DRAWING	
		SCALE: 4:1	SHEET 1 OF 4 REV A

LOC	DIST	REV	DATE	BY	APPD
GP	00				
		DESCRIPTION	DATE	BY	APPD
		SEE SHEET 1			

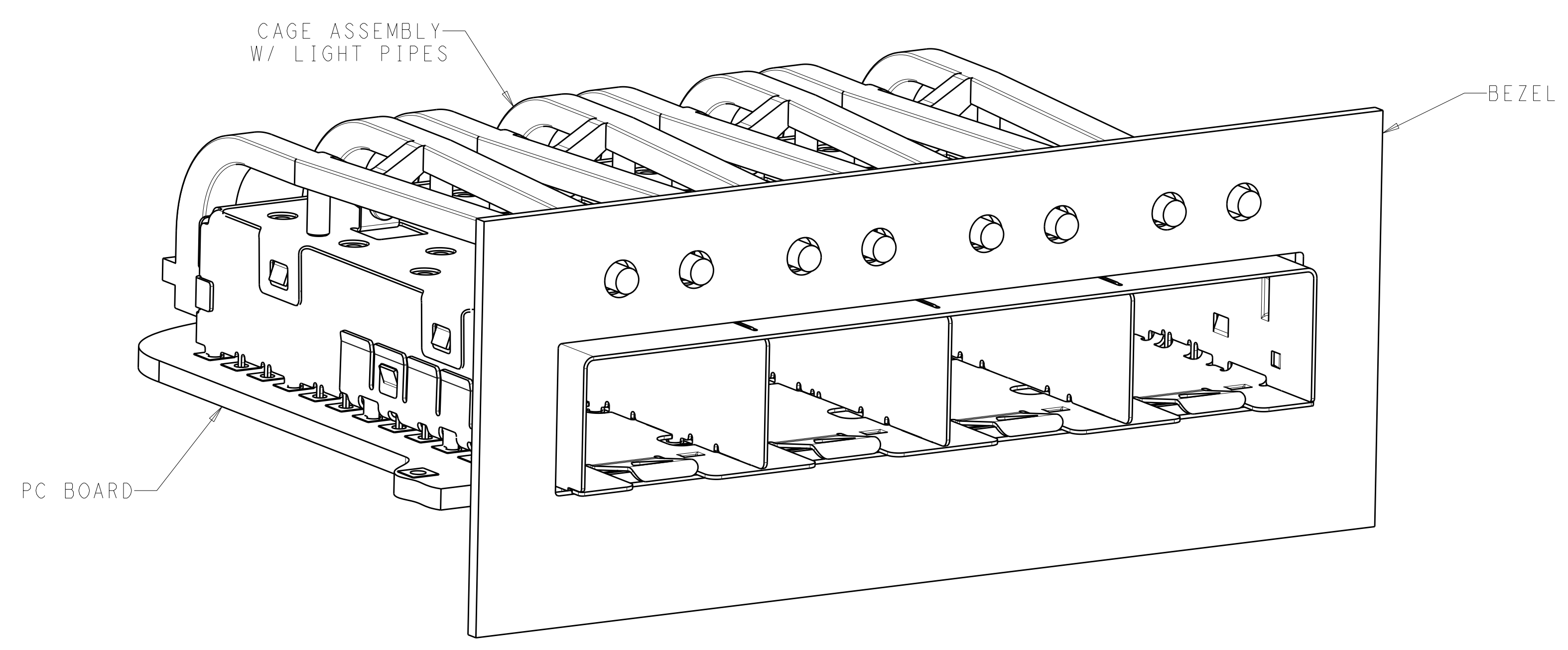


RECOMMENDED BEZEL CUT-OUT  
 SINGLE SIDED APPLICATIONS  
 SCALE 3:1

0.23<sup>+0.10</sup><sub>-0.14</sub>  
 TOP OF PCB  
 TO INSIDE OF  
 BEZEL CUT-OUT



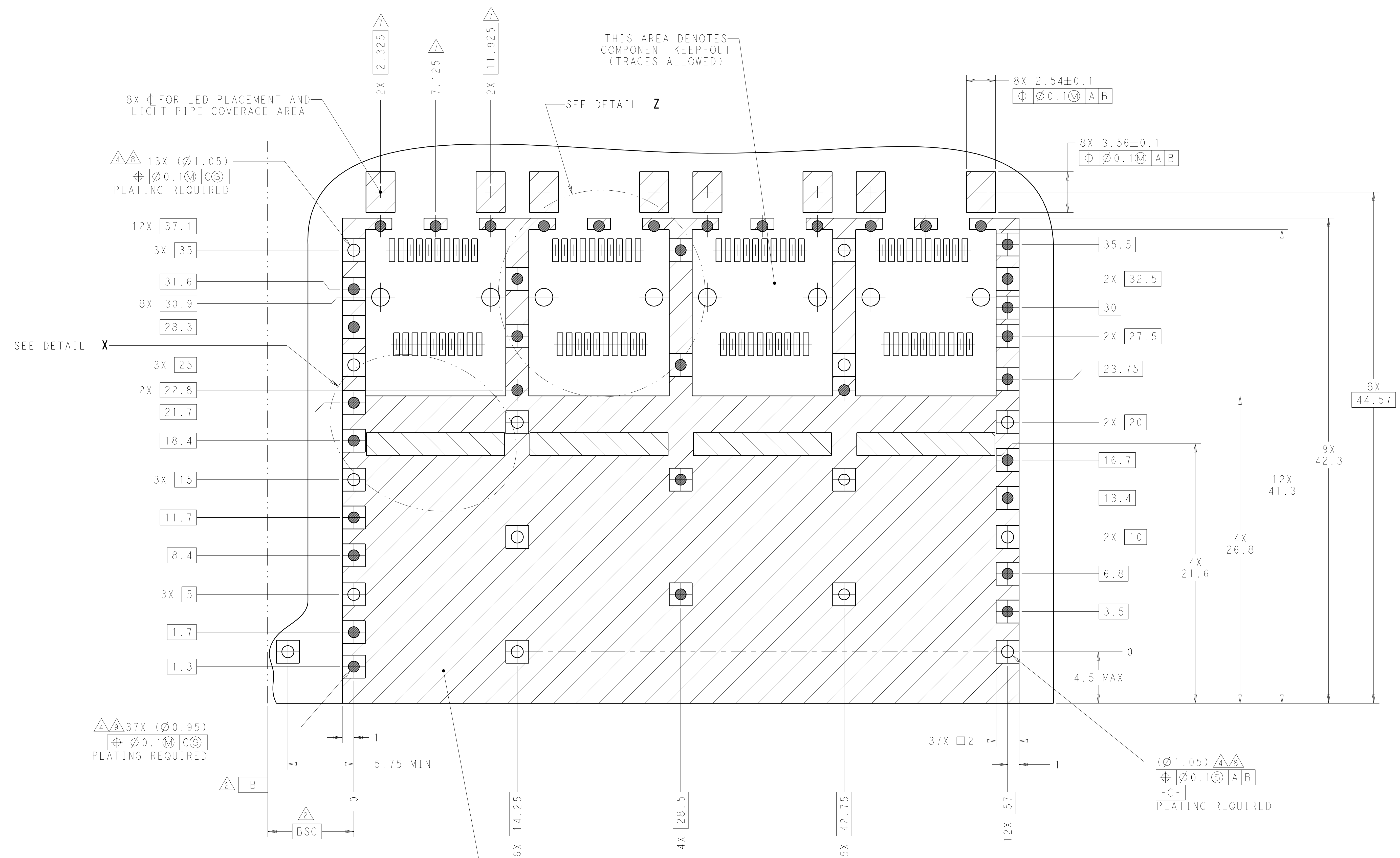
2057161-1  
 MOUNTED ON PCB  
 SHOWN THRU RECOMMENDED BEZEL



2057161-1  
 MOUNTED ON PCB  
 SHOWN THRU RECOMMENDED BEZEL

<small>THIS DRAWING IS UNPUBLISHED. RELEASED FOR PUBLICATION 20 BY TYCO ELECTRONICS CORPORATION, ALL INTERNATIONAL RIGHTS RESERVED.</small>		DWN: J. LIPPERT 15OCT2010 CHK: M. SCHMITT 15OCT2010 APPD: M. SCHMITT 15OCT2010	Tyco Electronics Harrisburg, PA 17105-3608
DIMENSIONS: mm 		TOLERANCES UNLESS OTHERWISE SPECIFIED: 9 PLC ±0.1 1 PLC ±0.1 2 PLC ±0.1 3 PLC ±0.1 4 PLC ±0.1 ANGLES ±0.1 FINISH	NAME: SFP+ 1X4 ENHANCED CAGE ASSEMBLY, PRESS FIT, EMI GASKET WITH LIGHT PIPE PRODUCT SPEC: - APPLICATION SPEC: - WEIGHT: 114-13120 CUSTOMER DRAWING
MATERIAL: - FINISH: -		SCALE: 4:1 SHEET: 2 OF 4 REV: A	SIZE: A100779 CAGE CODE: C=2057161 RESTRICTED TO: -

LOC	DIST	REV	DESCRIPTION	DATE	DWN	APVD
GP	00		SEE SHEET 1			



RECOMENDED PCB CONFIGURATION WITH KEEP OUT AREAS  
SCALE 6:1

<small>THIS DRAWING IS UNPUBLISHED. RELEASED FOR PUBLICATION. BY TYCO ELECTRONICS CORPORATION, ALL INTERNATIONAL RIGHTS RESERVED.</small>		DWN J. LIPPERT 15OCT2010 CHK M. SCHMITT 15OCT2010 APVD M. SCHMITT 15OCT2010	Tyco Electronics Harrisburg, PA 17105-3608
DIMENSIONS: mm 	TOLERANCES UNLESS OTHERWISE SPECIFIED: 9 PLC $\pm$ 0.1 1 PLC $\pm$ 0.1 5 PLC $\pm$ 0.1 4 PLC $\pm$ 0.1 ANGLES $\pm$ 0.1	NAME SFP+ 1X4 ENHANCED CAGE ASSEMBLY, PRESS FIT, EMI GASKET WITH LIGHT PIPE PRODUCT SPEC APPLICATION SPEC 114-13120 WEIGHT CUSTOMER DRAWING	SIZE CAGE CODE DRAWING NO. RESTRICTED TO A100779C=2057161 SCALE 4:1 SHEET 3 OF 4 REV A

