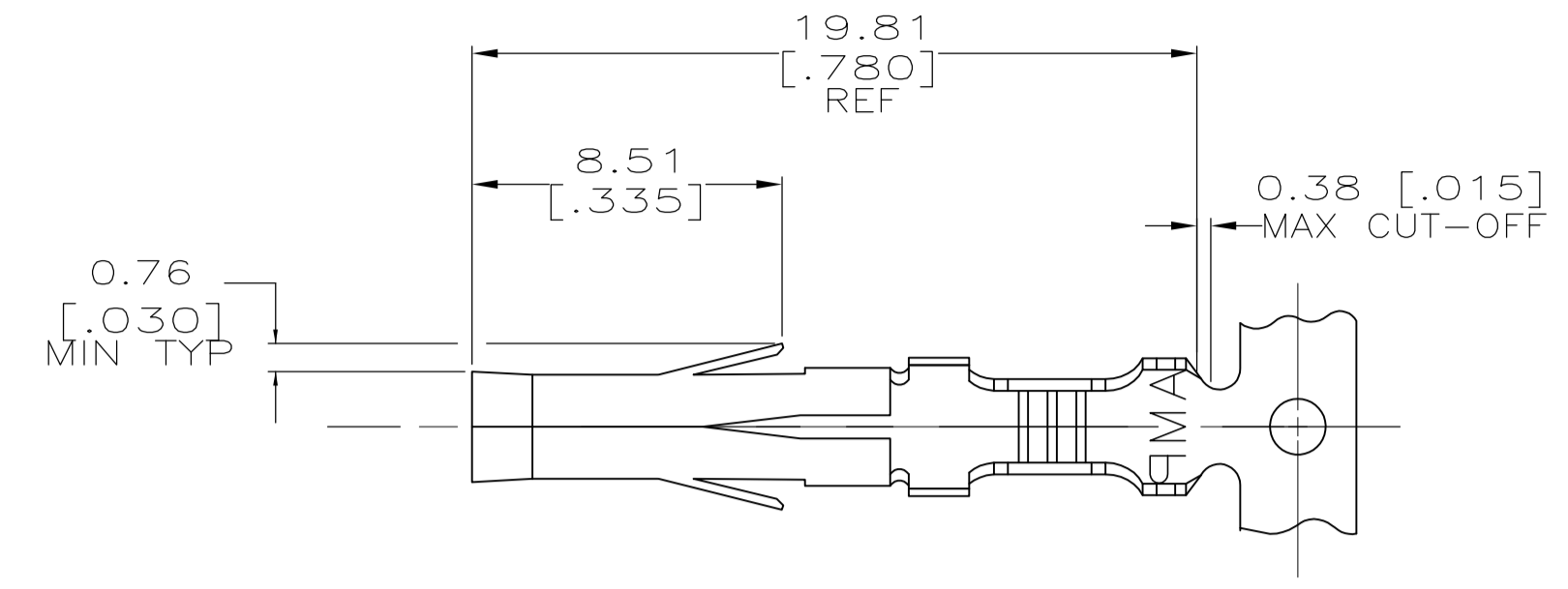
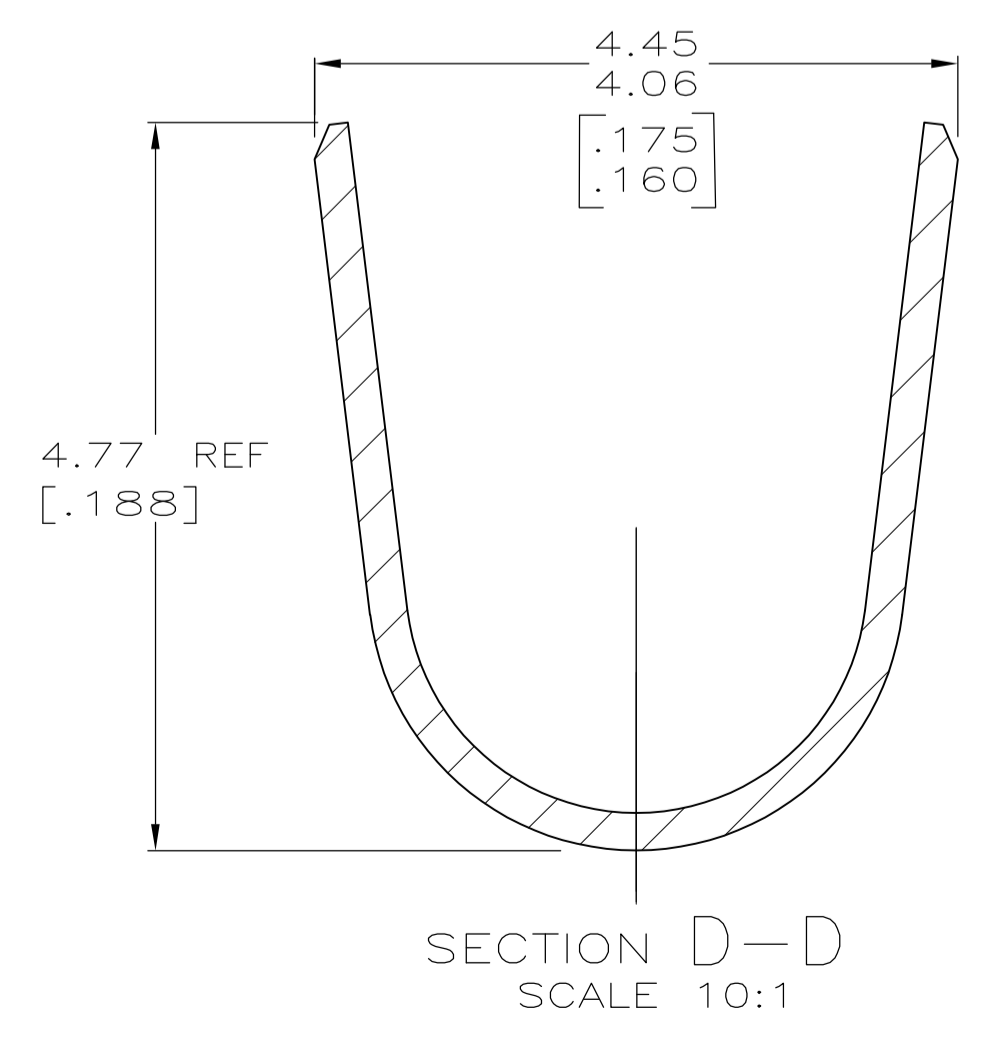
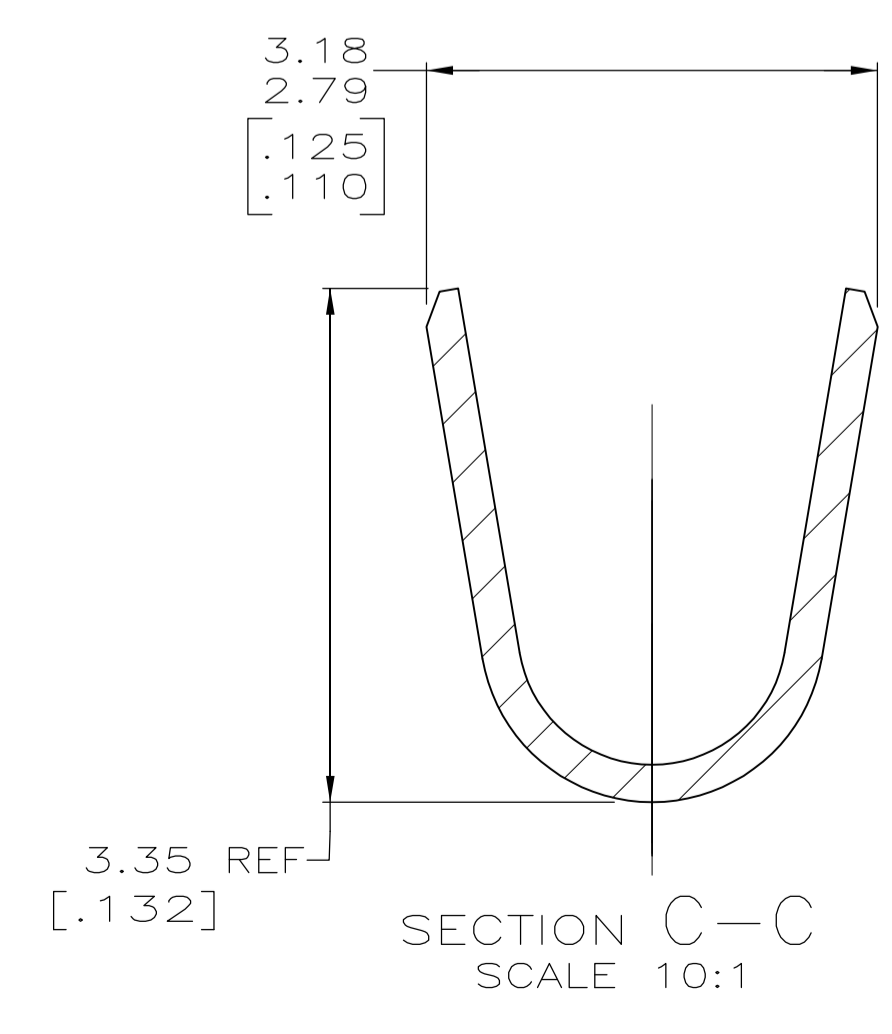
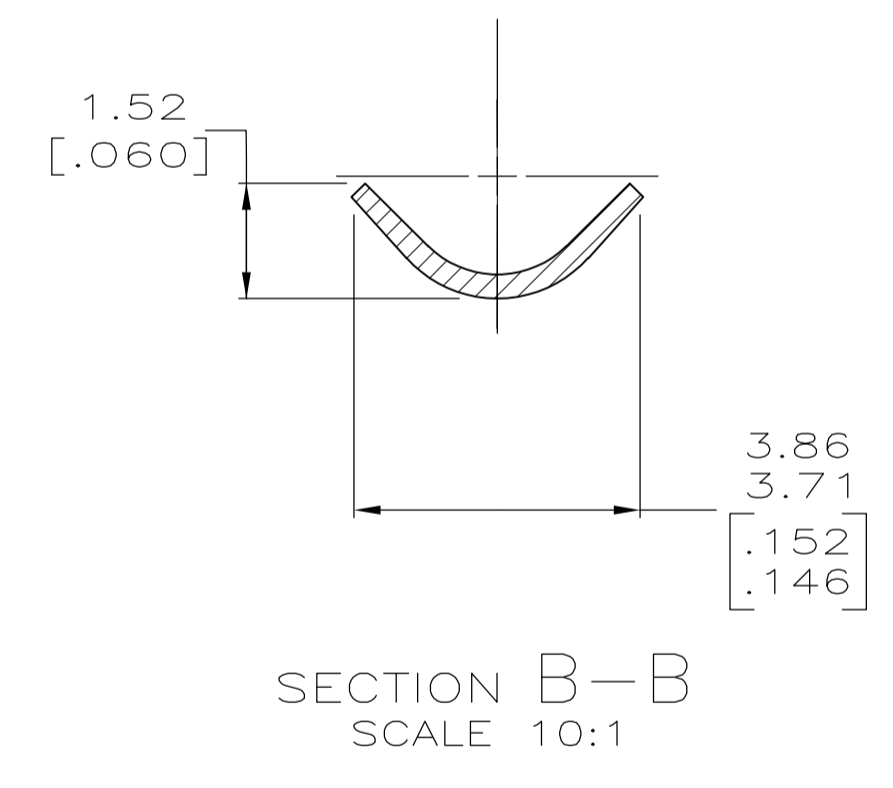
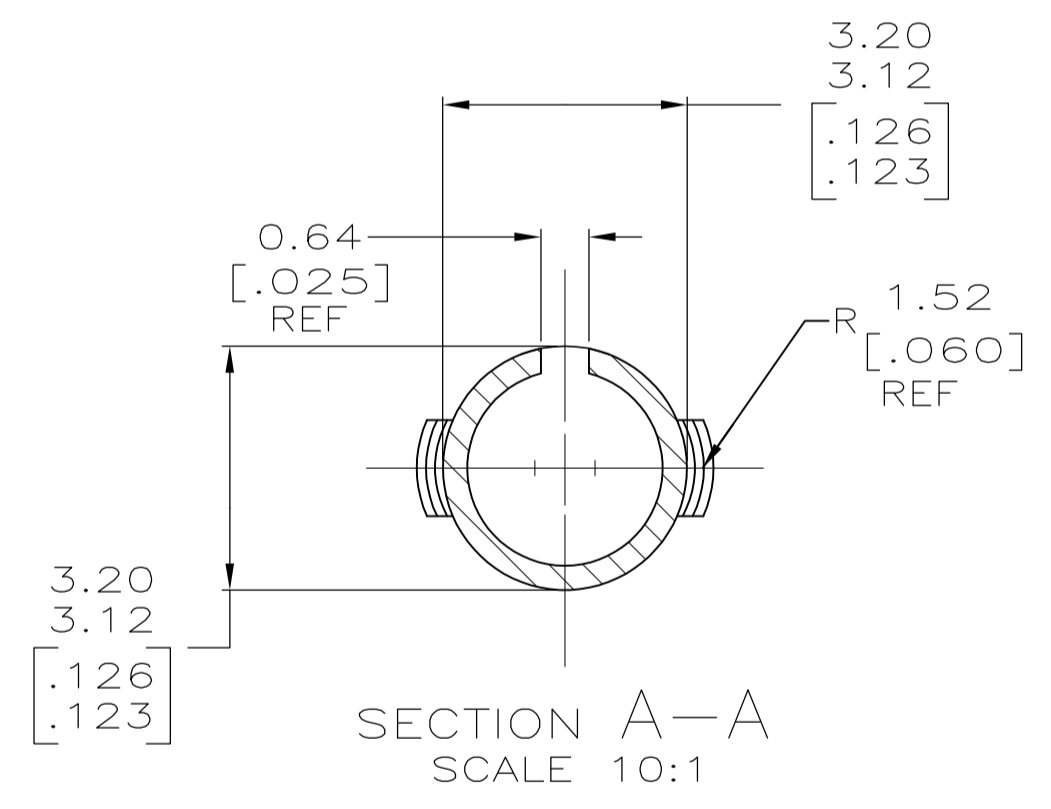
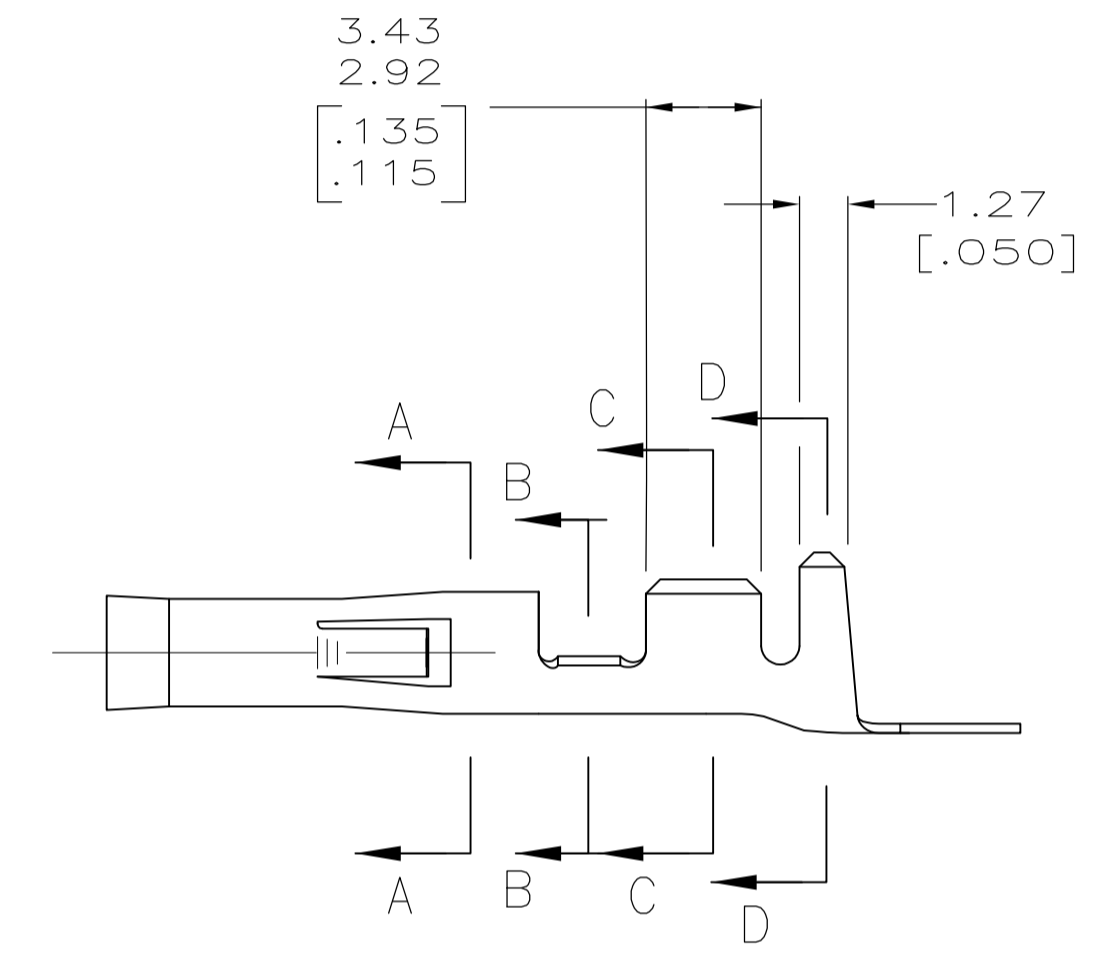
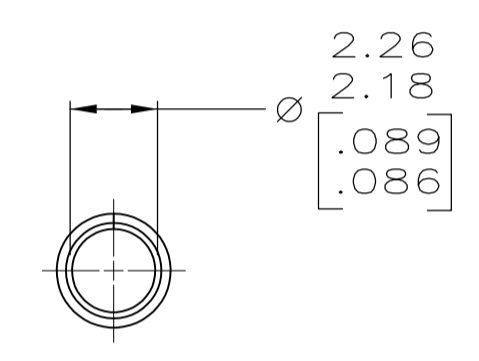


LOC		DIST		REVISIONS			
P	LTR	DESCRIPTION	DATE	DWN	APVD		
AL1		REVISED PER ECO-11-004820	11MAR11	RK	HMR		



- 1 WIRE RANGE: 0.5-2mm² (20-14 AWG).
- 2 INSULATION RANGE: 3.56 [.140] MAX. DIA.
- 3 DIMENSIONS IN BRACKETS ARE IN INCHES.
- 4 Δ 0.00076 [.000030] MIN GOLD STRIPE OVER 0.00127 [.000050] MIN NICKEL ON INSIDE OF SOCKET.



METRIC

PRE-TIN	0.25 [.010] PHOS BRZ	350415-6
Δ	0.25 [.010] BRASS	350415-5
PRE-TIN	0.25 [.010] BRASS	350415-1
FINISH	MATERIAL	PART NO

DIMENSIONS:		TOLERANCES UNLESS OTHERWISE SPECIFIED:		APPROVED		DATE		DRAWING NO		RESTRICTED TO	
mm	[INCHES]	0 PLC	± -	APVD	NAME	SIZE	CAGE CODE	DRAWING NO	WEIGHT	SCALE	SHEET
		1 PLC	± -	K. WHITAKER	22NOV2005	A1	00779	C=350415		5:1	1 OF 1
		2 PLC	± -	D. COLEY	22NOV2005						
		3 PLC	± 0.13 [.005]	D. COLEY	22NOV2005						
		4 PLC	± -								
		ANGLES	± 0°30'								
MATERIAL	SEE TABLE	FINISH	SEE TABLE	CUSTOMER DRAWING		SCALE		SHEET		REV	