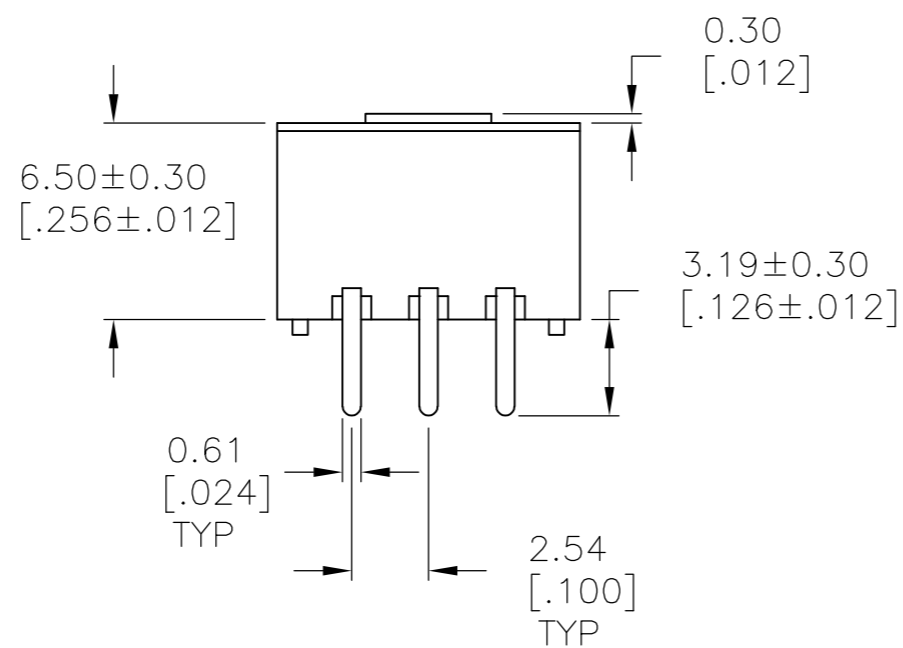
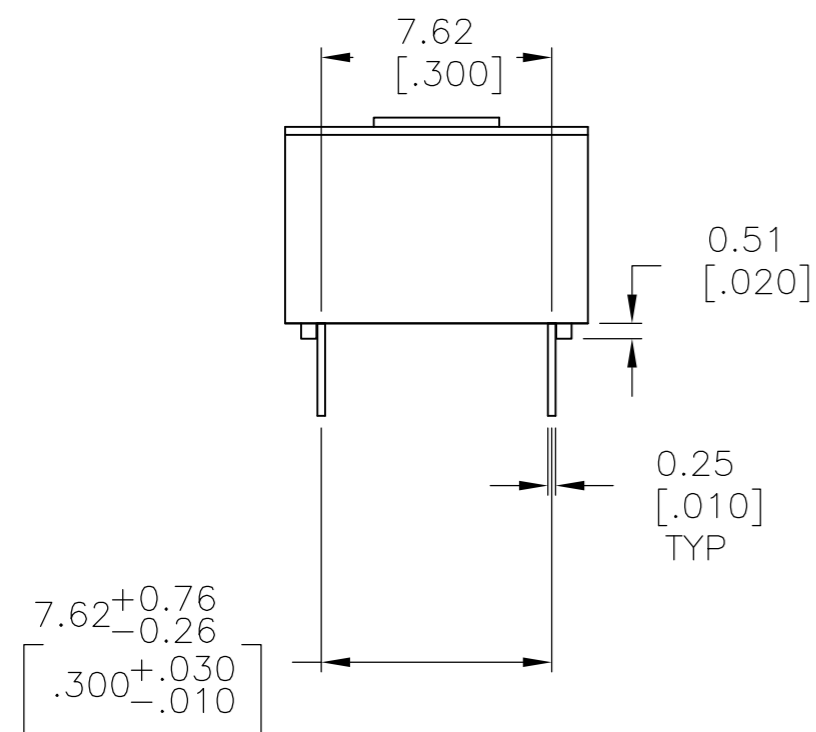
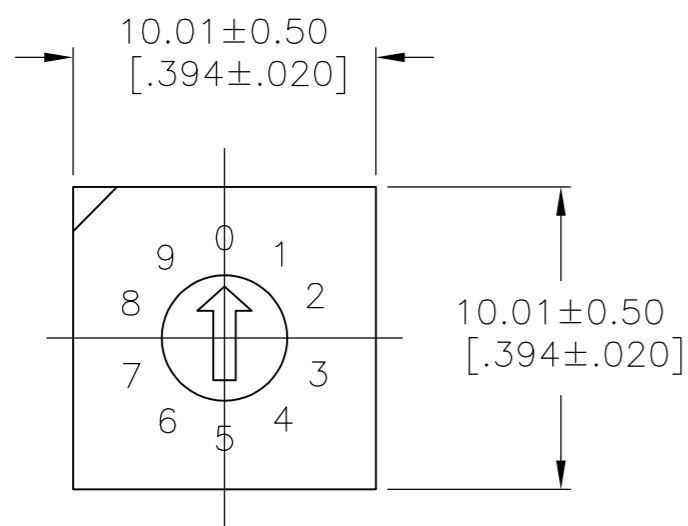


THIS DRAWING IS UNPUBLISHED. RELEASED FOR PUBLICATION
 © COPYRIGHT BY TYCO ELECTRONICS CORPORATION. ALL RIGHTS RESERVED.

LOC		DIST		REVISIONS			
P	LTR	DESCRIPTION	DATE	DWN	APVD		
	A	ECO-07-03889	21FEB07	MB	MS		
	A1	REVISED PER ECO-09-024927	07NOV09	KK	AEG		



RRD PC MOUNT

SPECIFICATIONS:

MATERIAL:

BASE AND COVER - PPS UL94V-0, BLACK
 ROTOR - NYLON PA6T UL94V-0, COLOR SEE P/N TABLE.
 MOVING CONTACT - COPPER ALLOY, GOLD FLASH OVER NICKEL.
 FIXED CONTACT - COPPER ALLOY, GOLD FLASH OVER NICKEL.
 TERMINALS - COPPER ALLOY, GOLD FLASH OVER NICKEL.

ELECTRICAL:

CONTACT RATING - 0.4 VA @ 20 VDC OR PEAK AC.
 INITIAL CONTACT RESISTANCE - 50 MILLIOHMS MAX.
 INSULATION RESISTANCE - 1,000 MEGOHMS @ 100 VDC.
 DIELECTRIC STRENGTH - 300 VAC.
 LIFE EXPECTANCY - 10,000 ROTATIONS.

MECHANICAL:

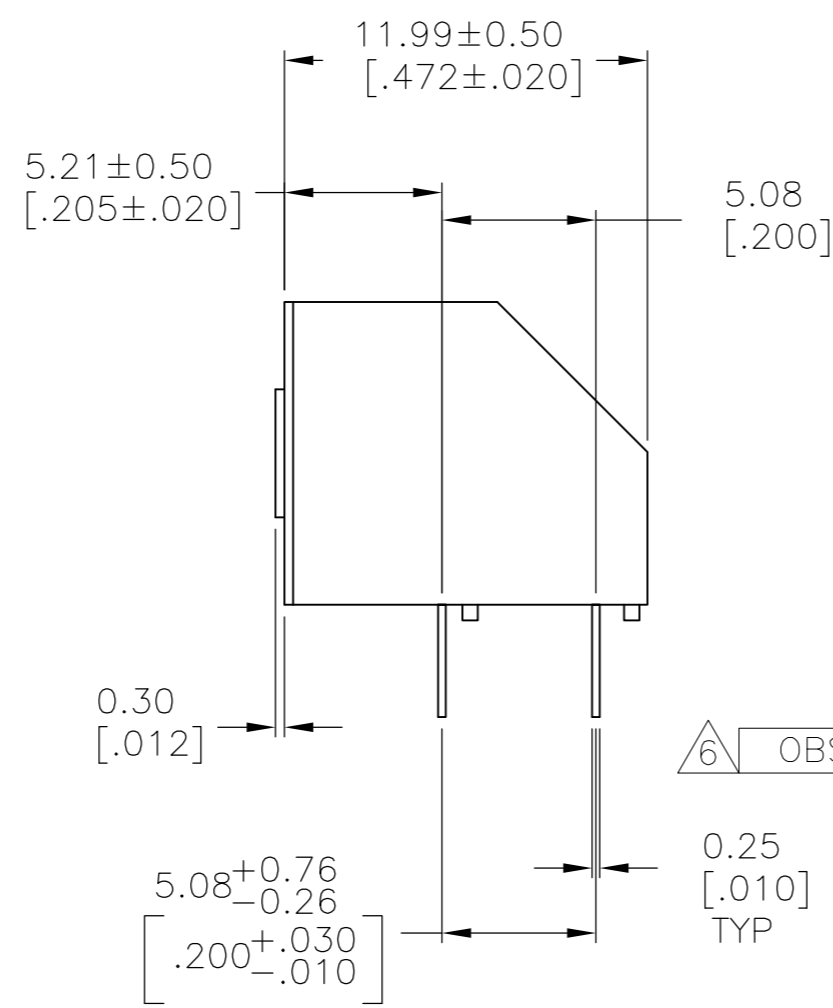
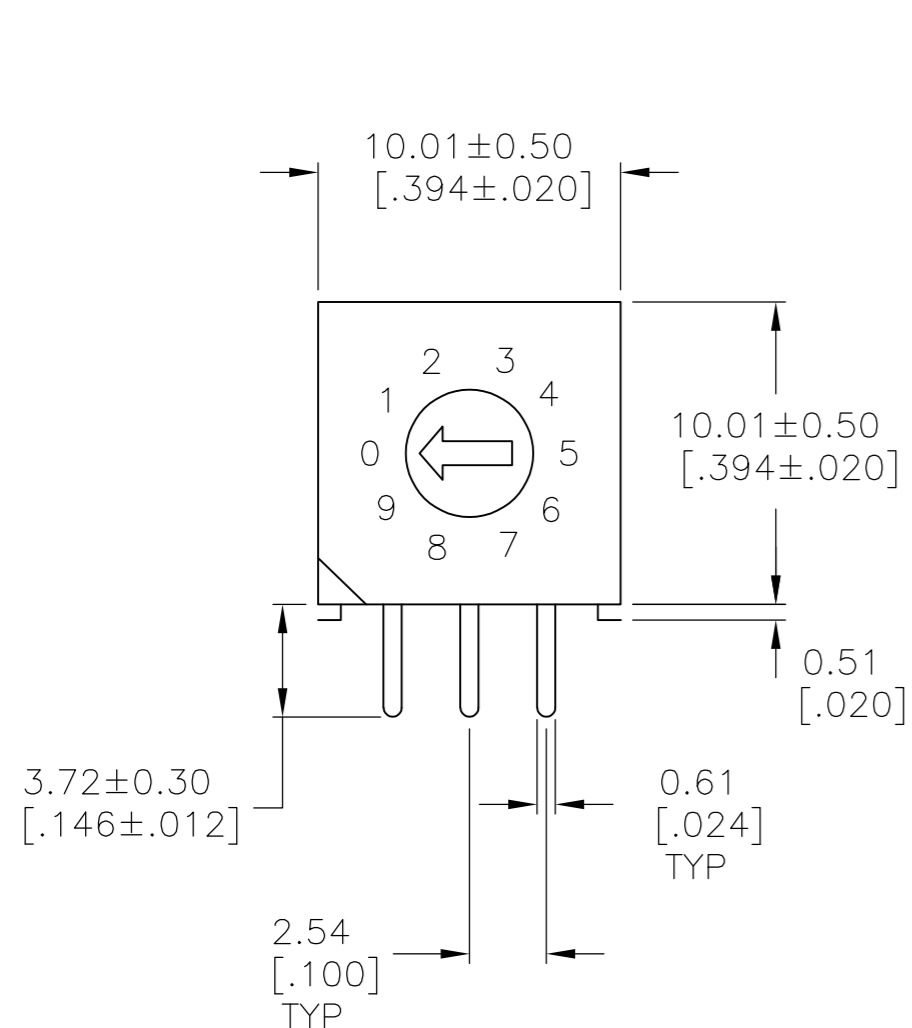
ACTUATION FORCE - 6 OZ.-IN. (NOM.).

ENVIRONMENTAL:

OPERATING TEMPERATURE: -22°F TO +185°F (-30°C TO +85°C).
 STORAGE TEMPERATURE: -49°F TO +212°F (-45°C TO +100°C).
 RESISTANCE TO SOLDER HEAT PER 109-202, CONDITION B.
 SOLDERABILITY PER EIA-364-52 CLASS 2, CATEGORY 1.

NOTES:

- 1. RED ROTOR WITH WHITE PRINTING ON TOP AND SIDE OF SWITCH.
- 2. BLACK ROTOR WITH WHITE PRINTING ON TOP AND SIDE OF SWITCH.
- 3. ORANGE ROTOR WITH WHITE PRINTING ON TOP AND SIDE OF SWITCH.
- 4. WHITE ROTOR WITH WHITE PRINTING ON TOP AND SIDE OF SWITCH.
- 5. ALL MATERIALS AND FINISHES SHALL COMPLY WITH EU DIRECTIVE 2002/95/EC OF 27JAN2003(ROHS).
- 6. OBSOLETE PARTS: OBSOLETE CIS STREAMLINING PER D.RENAUD/D.SINISI



RRD RIGHT ANGLE PC MOUNT

REMARKS	TERMINATION	CIRCUIT TYPE	RESISTOR VALUE	T&B P/N.	TYCO P/N.
4	RIGHT ANGLE	HEXADECIMAL COMPLEMENT	3.3k ohms	RRD16C3.3KRA04	1825444-7
4	PC	HEXADECIMAL COMPLEMENT	3.3k ohms	RRD16C3.3K04	1825444-6
4	RIGHT ANGLE	HEXADECIMAL COMPLEMENT	10k ohms	RRD16C10KRA04	1825444-5
4	PC	HEXADECIMAL COMPLEMENT	10k ohms	RRD16C10K04	1825444-4
2	RIGHT ANGLE	HEXADECIMAL	10k ohms	RRD1610KRA04	1825444-3
2	PC	HEXADECIMAL	10k ohms	RRD1610K04	1825444-2
1	PC	BC DECIMAL	10k ohms	RRD1010K04	1825444-1
6	OBSOLETE				

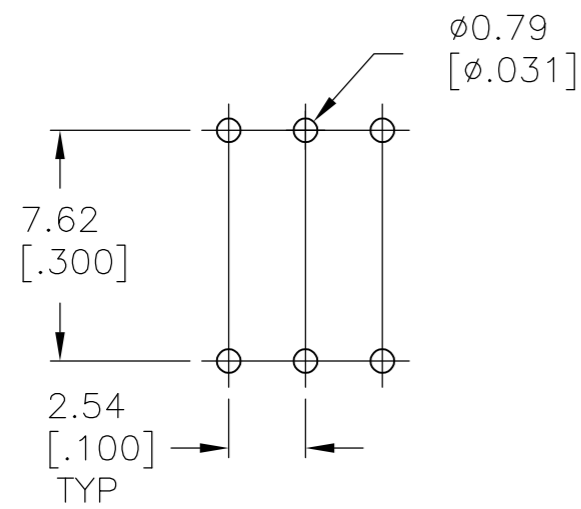
THIS DRAWING IS A CONTROLLED DOCUMENT.		DWN	M.BINNER	23OCT06	Tyco Electronics Corporation Harrisburg, PA 17105-3608	
DIMENSIONS: mm [INCHES]		CHK	M.SARVER	23OCT06	NAME RRD SERIES ROTARY DIP SWITCH	
TOLERANCES UNLESS OTHERWISE SPECIFIED: 0 PLC ± - 1 PLC ± - 2 PLC ± 0.25[.010] 3 PLC ± - 4 PLC ± - ANGLES ± 1°		APVD	M.SARVER	23OCT06	SIZE	A2
MATERIAL SEE SPECIFICATIONS		FINISH	-	WEIGHT	-	CAGE CODE 00779
		PRODUCT SPEC	-	APPLICATION SPEC	-	DRAWING NO 1825444
		RESTRICTED TO	-	SCALE	4:1	SHEET 1 of 2
		CUSTOMER DRAWING	-	REV	A1	

LOC	DIST	REVISIONS			
P	LTR	DESCRIPTION	DATE	DWN	APVD
AD	00	SEE SHEET 1	-	-	-

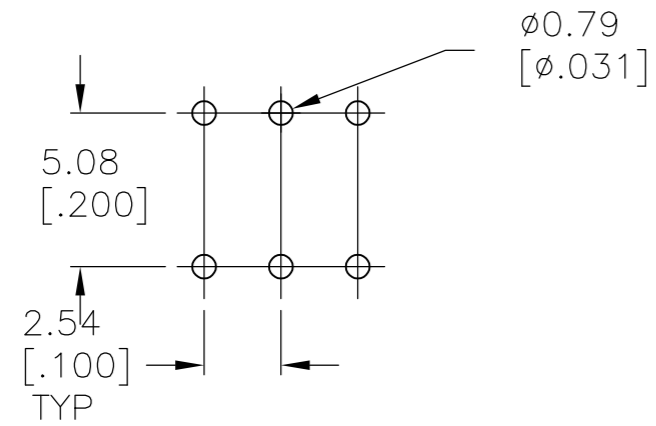
TRUTH TABLES

FOR HYBRID VERSIONS (RR SERIES AND RA/C SERIES),
 COMMON BETWEEN TERMINALS 1 AND 4 IS RESISTOR
 OR DIODE COMMON.
 COMMON BETWEEN TERM 2 AND 8 IS GROUND
 (VIEWED FROM BOTTOM OF SWITCH)

0 8	1 0
0 G	R-CO
0 2	4 0



PC

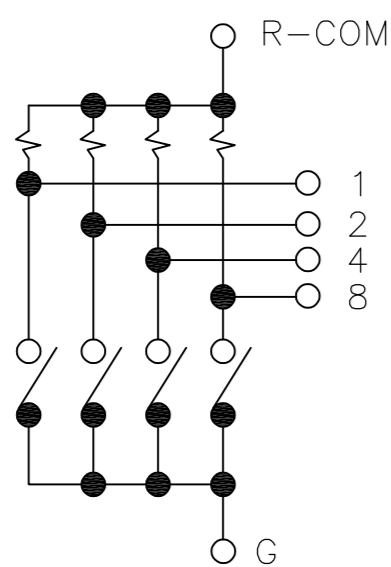


PC

RIGHT ANGLE

RECOMMENDED HOLE LAYOUT
 TOLERANCE ±.002 UNLESS OTHERWISE NOTED

RR SERIES RESISTER NETWORK INFORMATION



125mW	3.3k ohms	±5% @ 85°C	24V
	10k ohms		
RATED POWER	RESISTANCE	TOLERANCE	MAX. VOLTAGE

10-POSITION, BCD ¹

POS.	0	1	2	3	4	5	6	7	8	9
0	X	X	X	X	X	X	X	X	X	X
1		X		X		X		X		X
2			X	X		X	X			
4					X	X	X	X		
8									X	X

16-POSITION, HEXADECIMAL ²

POS.	0	1	2	3	4	5	6	7	8	9	A	B	C	D	E	F
0	X	X	X	X	X	X	X	X	X	X	X	X	X	X	X	X
1		X		X		X		X		X		X		X		X
2			X	X		X	X			X	X			X	X	
4					X	X	X	X				X	X	X	X	
8									X	X	X	X	X	X	X	X

10-POSITION, BCD COMPLIMENT ³

POS.	0	1	2	3	4	5	6	7	8	9
0	X	X	X	X	X	X	X	X	X	X
1	X		X		X		X		X	
2	X	X			X	X			X	X
4	X	X	X	X					X	X
8	X	X	X	X	X	X	X	X		

16-POSITION, HEXADECIMAL COMPLIMENT ⁴

POS.	0	1	2	3	4	5	6	7	8	9	A	B	C	D	E	F
0	X	X	X	X	X	X	X	X	X	X	X	X	X	X	X	X
1	X		X		X		X		X		X		X		X	
2	X	X			X	X			X	X			X	X		
4	X	X	X	X					X	X	X	X				
8	X	X	X	X	X	X	X	X								

THIS DRAWING IS A CONTROLLED DOCUMENT.

DWN	M.BINNER	23OCT06
CHK	M.SARVER	23OCT06
APVD	M.SARVER	23OCT06
PRODUCT SPEC		
APPLICATION SPEC		
WEIGHT	-	
CUSTOMER DRAWING		

Tyco Electronics Tyco Electronics Corporation
 Harrisburg, PA 17105-3608

NAME: RRD SERIES ROTARY DIP SWITCH

SIZE: A2 CAGE CODE: 00779 DRAWING NO: C-1825444 RESTRICTED TO: -

SCALE: 4:1 SHEET: 2 OF 2 REV: A1