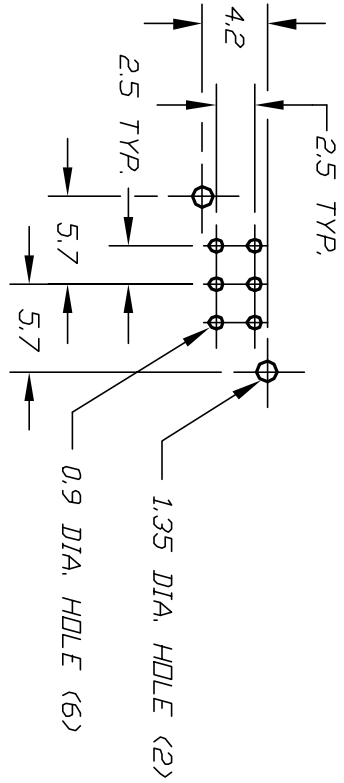
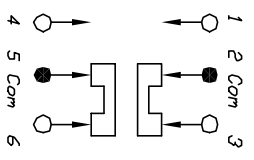


(DETAIL -A-)
SCALE 6:1

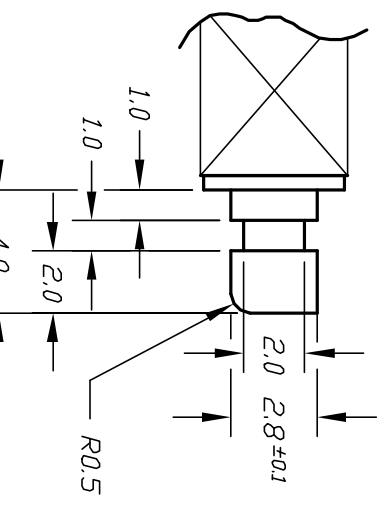
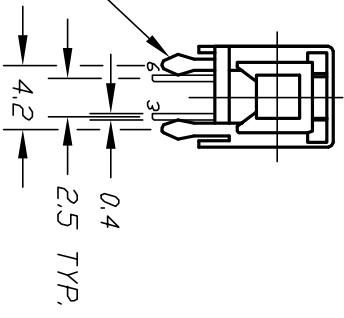
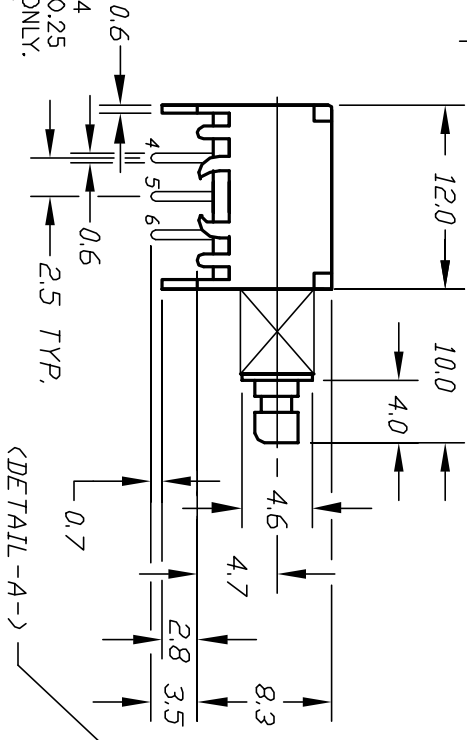
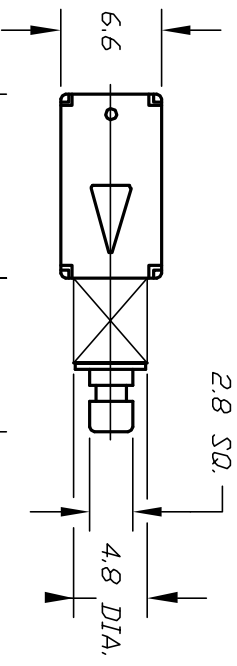


RECOMMEND P.C.B. HOLES



CIRCUIT: DPDT

CONTACT CONFIGURATION
TIMING: SHORTING



(ACTUATOR DETAIL) SCALE 4:1

- NOTES:
1. ALL DIMENSIONS IN MM
 2. GENERAL TOLERANCE: X.X=±0.4
X.XX=±0.25
 3. TERM. NOS. FOR REFERENCE ONLY.
 4. OPERATING FORCE: 330±100gf
 5. TRAVEL: FULL 3.5mm
 6. CONTACT RATING: 300mA @30VDC
 7. ELECTRICAL LIFE: 10,000 CYCLES
 8. CONTACT RESISTANCE:
30mohms MAX. INITIAL @2-4VDC, 100mA
 9. DIELECTRIC STRENGTH: 1000V RMS

E-SWITCH®

B	13025	ADD NOTES 6, 7, 8, 9	4/9/03	AR
A		RELEASED FOR PRODUCTION	11/7/96	MM
REV.	ECN No.	DESCRIPTION	DATE	CHKD

TITLE		SCALE	DATE	DR	DWG	REV
LC22590ASP		2:1	11/7/96	MM	P070236	B

THE INFORMATION CONTAINED IN THIS DOCUMENT IS PROPRIETARY TO E-SWITCH AND IS NOT TO BE COPIED OR TRANSFERRED