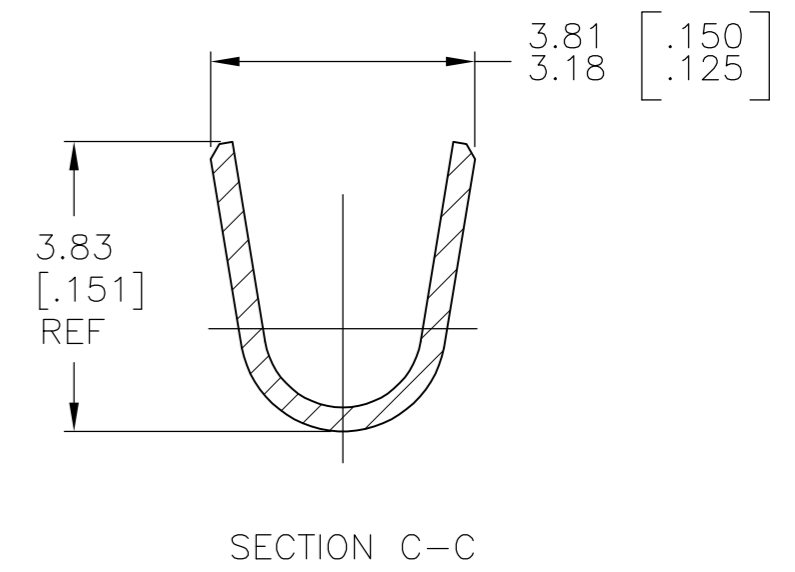
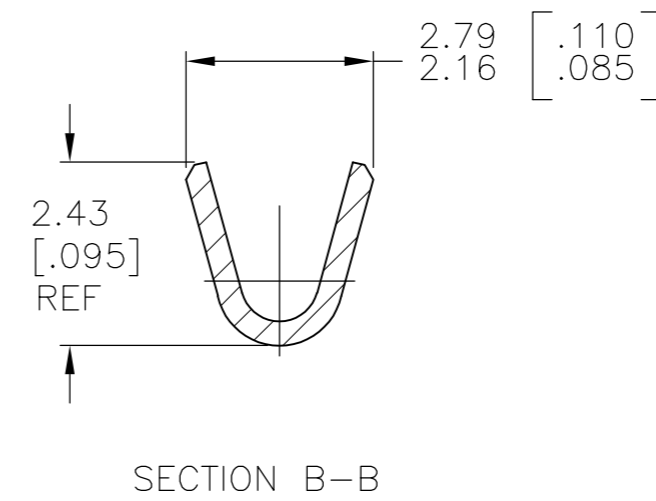
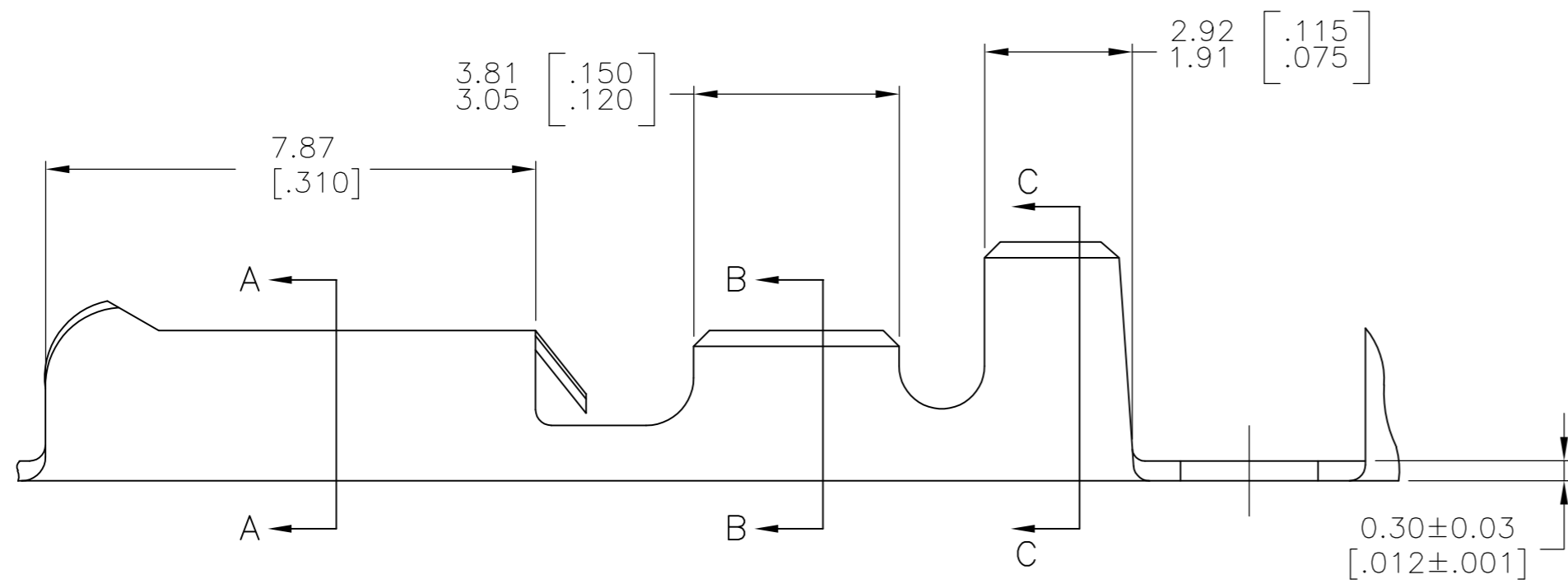
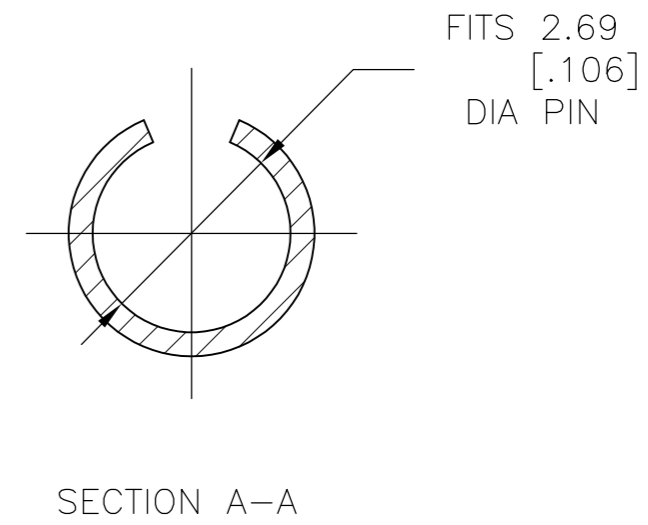
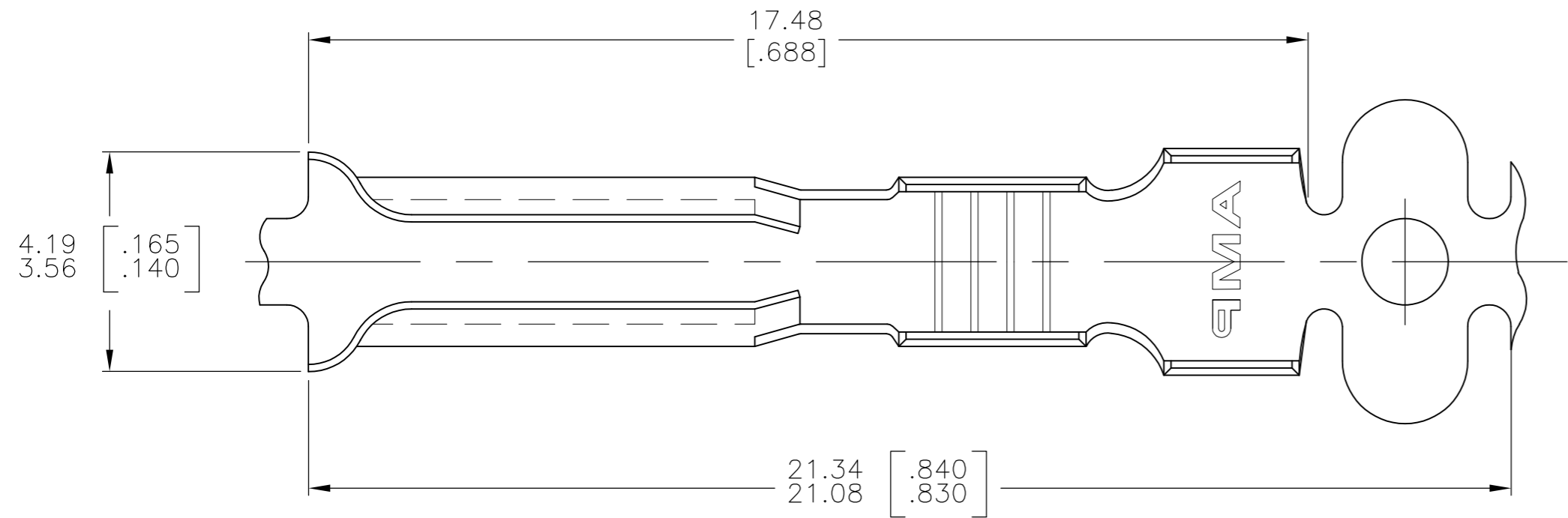


THIS DRAWING IS UNPUBLISHED. RELEASED FOR PUBLICATION
 © COPYRIGHT BY TYCO ELECTRONICS CORPORATION. ALL RIGHTS RESERVED.

LOC		DIST		REVISIONS				
P	LTR	DESCRIPTION			DATE	DWN	APVD	
AF	50	A1	REDRAWN PER ECR-07-007776			23MAY07	HMR	DD

- 1 CONTINUOUS STRIP ON REELS
- 2 INSULATION RANGE: 1.52 [.060] MAX.
- 3 WIRE RANGE: (1) 22 - 18 AWG OR
(2) 22 AWG



2.69±0.05 [.106±.002]	62402-1
PIN DIA	PART NO

THIS DRAWING IS A CONTROLLED DOCUMENT.		DWN RAGHAVENDRA 23MAY07	Tyco Electronics Corporation Harrisburg, Pa 17105-3608	
DIMENSIONS: mm [INCHES]		CHK DECKER D 23MAY07		
TOLERANCES UNLESS OTHERWISE SPECIFIED:		APVD DECKER D 23MAY07	NAME RECEPTACLE, PIN .106 DIA	
0 PLC ± -		PRODUCT SPEC	SIZE A2	
1 PLC ± -		APPLICATION SPEC	CAGE CODE 00779	
2 PLC ± -			DRAWING NO C=62402	
3 PLC ± 0.25[.010]			RESTRICTED TO	
4 PLC ± -			SCALE 10:1	
ANGLES ± -			SHEET 1 OF 1	
MATERIAL H04 BRASS	FINISH PRE-TIN	WEIGHT -	REV A1	
CUSTOMER DRAWING				