

Introducing
PCB Mount IP67
ODVA Style Connector

PCB Mount IP67 ODVA Style Connector

KEY FEATURES

- Compliant to IEC 61076-3-106 – Variant 1
- Compliant to IEC 60603-7, A8F – Variant 3
- Category 5e Compliant
- IP67 sealing performance
- Protective cover available
- Positive lock coupling ring provides reliable connections in harsh environments
- PCB retention legs
- Through-hole solder legs
- ROHS Compliant

DESCRIPTION

Tyco Electronics now offers a PCB mount receptacle to enhance its already existing rugged connector series that meets the Ethernet/IP RJ45 requirements/standards. Designed for use in harsh environments, the connector system features a quick-connect bayonet coupling mechanism per the ODVA interoperability interface specification.

APPLICATIONS

Industrial Machinery, Diagnostic equipment, Communications equipment, and Industrial Printers

Any Ethernet application where an IP67 sealed, rugged connector interface is required for a PCB

ELECTRICAL

Meets TIA/EIA-568 Category 5e requirements

Compliant to IEC 60603-7, A8F – Variant 3

MECHANICAL

Compliant to IEC 61076-3-106 – Variant 1

Positive lock coupling ring

Polarized for proper mating

Temperature Range: -40C to +85C [-40F to 185F]

PCB retention legs

MATERIALS

Housing: UL94V-0, UV Resistant, Polyester

Pass Through Modular Jack: UL94V-0, LCP

Gasket, Seal: UL94 HBF

Contacts: Gold plating over Phos Bronze

STANDARDS & SPECIFICATIONS

Product Specification: 108-2198

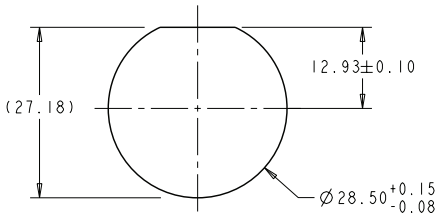
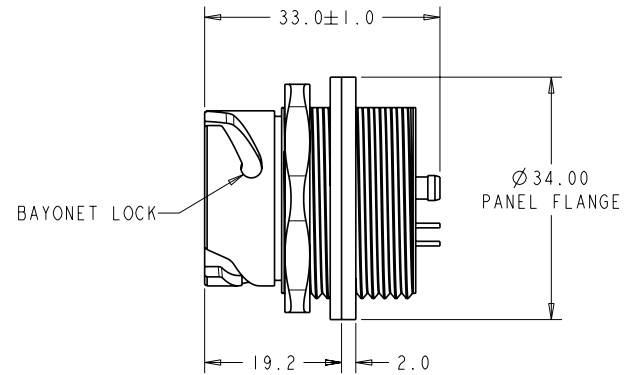
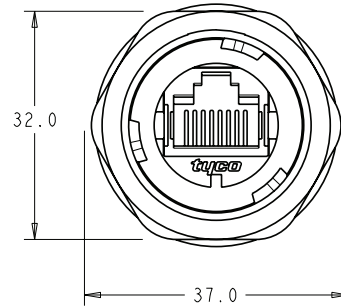
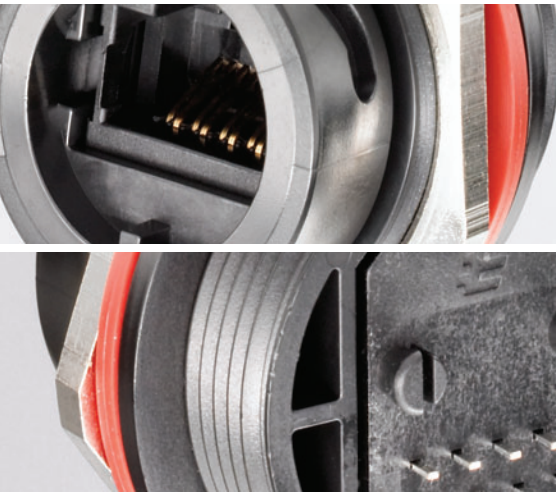
Application Specification: 114-13136

Compliant to IEC 61076-3-106 – Variant 1

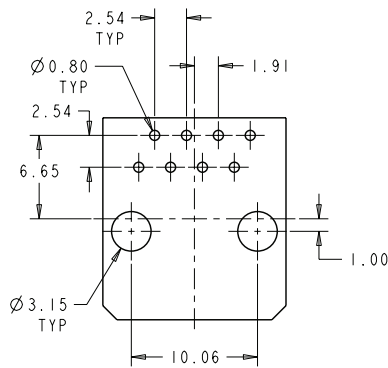
Compliant to IEC 60603-7, A8F – Variant 3

PCB Mount IP67 Sealed Connector

PRODUCT DIMENSION



SUGGESTED PANEL CUTOUT



RECOMMENDED PCB LAYOUT (TOP VIEW)

PRODUCT OFFERING

- PN 1776900-1 PCB Mount Receptacle

COMPLEMENTARY PRODUCTS AND ACCESSORIES

- PN 1738607-1 Solid Wire Plug Kit
- PN 1738607-2 Stranded Wire Plug Kit
- PN 1738601-1 Pass - Through Receptacle Kit
- PN 1738611-1 Receptacle Cover
- PN 1828740-1 Plug Cover
- PN 1986280-1 Pass-Through Receptacle Kit and Cover
- PN 1939708-1 Category Cat 5e Industrial Cable
- PN 1981944-1 Cable Stripper

CABLE ASSEMBLIES

Cable assemblies are now offered for this product family in various lengths and configurations. The standard offering is available in lengths from 3 - 20 meters. Custom lengths are available upon request. See drawing 1986381 for additional details.

FOR MORE INFORMATION

Technical Support

Internet: www.tycoelectronics.com
E-mail: newproducts@tycoelectronics.com
USA: 1-800-522-6752
Canada: 1-905-470-4425
Mexico: 1-800-733-8926
C. America: 52-55-1106-0803
South America: 55-11-2103-6000
Hong Kong: 852-2735-1628
Japan: 81-44-844-8013
UK: 44-8706-080208

Tyco Electronics Corporation
Harrisburg, PA

tycoelectronics.com

Copyright 2008 Tyco Electronics Corporation. All rights reserved.
7-1773452-6 - 5M -MS/FP - 7/2008.
TE Logo and Tyco Electronics are trademarks.

 **Tyco Electronics**
Our commitment. Your advantage.