

1 2 3 4 5 6 7

A B C D E F G H

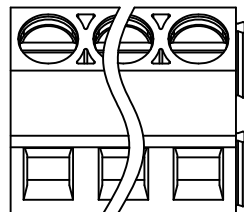
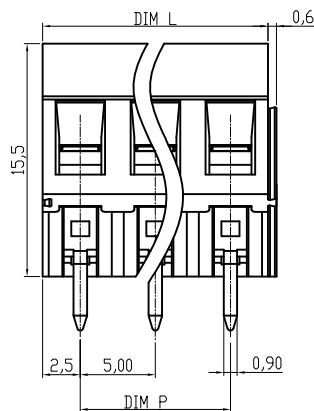
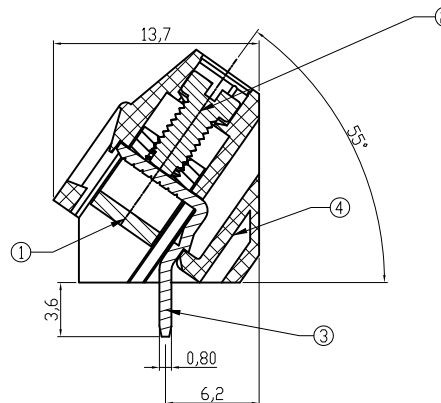
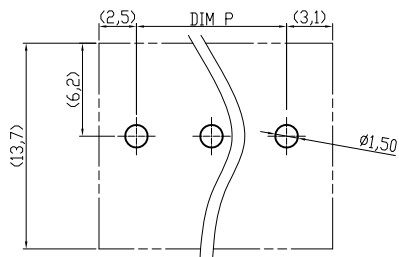
A B C D E F G H

Material

- ①Clamp: Brass, Ni plated
- ②Terminal screw: Steel Zinc plating "-" slot type
- ③Wire guard solder pin: Brass, Tin plated
- ④Terminal housing: Thermoplastic (UL94V-0), GREEN

Electrical UL

- Voltage rating: 300VAC
- Current rating: 10A
- Wire range:
- Solid wire(AWG): 12-24
- Stranded wire(AWG): 12-24
- Torque(Lb-In): 3.5
- Screw: M2.5
- Wire strip length: 6-7mm
- Withstanding Voltage: 1.6KV
- Operating temperature: -40°C to +115°C
- Soldering temperature: 250°C±10°C/5 Sec
- Safety Approval:

RECOMMENDER PCB LAYOUT


DIMENSION

L	Nx5.0
P	(N-1)x5.0

N=Number of poles

Poles	Tolerance
	DIM L&DIM P
4p-8p	±0.15
9p-14p	±0.25
15p-20p	±0.35
21p-24p	±0.40

RoHS compliant

Scale	1:1						Date	Name	Customer-No.
TOLERANCE						Drawn	19.04.2010	Alex	ASSMANN WSW-No. A-TB500-T2xxSB
X.	±0.50					Approved	19.04.2010	Hellwig	
X.X	±0.30								
X.XX	±0.10								
DIM	TOL								Drawing-No.
X.°	±1°								ASS 4101 CO
		①	Drawn	19.04.2010	Alex				rev00
Angle	TOL	Id.	Modification	Date	Name			Replace	Sheet

1 2 3 4 5 6 7