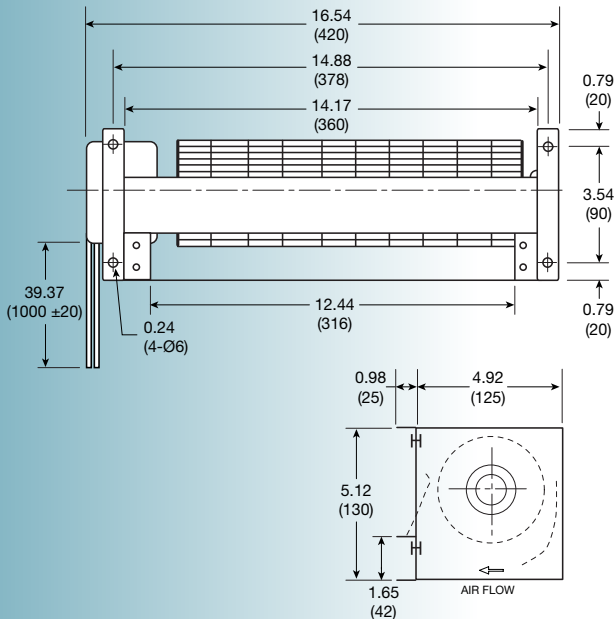
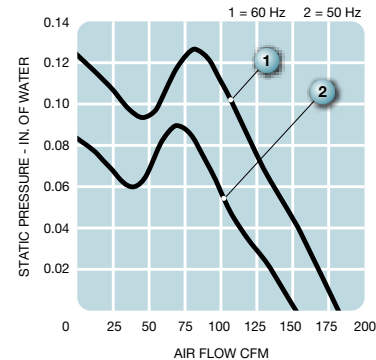


## UF9029 series

**Size: (420 mm x 150 mm x 130 mm)  
16.54 x 5.91 x 5.12 inches**

- Features:** cross flow blower
- Operating voltage (VAC):** 120 or 230
- Operating temp:** -40° to 70° C
- Construction:** steel frame with plastic
- Bearing option:** ball bearing
- Motor:** permanent split capacitor
- Connection:** 22 AWG lead wires
- Protection:** thermal
- Insulation:** Class B



Model No.	Rated Voltage V	Freq. HZ	Input Power W	Rated Cur. A	Locked Cur. A	Speed RPM	Air Volume		Max. Static Pressure (H <sub>2</sub> O)		Sound Noise dbA	Weight kg
							M <sup>3</sup> /Min.	CFM	MM	INCH		
<b>UF9029CBP12H-L</b>	120	50	33	0.28	0.40	1350	4.5	159	2.2	0.09	43	3.0
	120	60	31	0.27	0.40	1560	5.0	177	3.3	0.13	46	3.0
<b>UF9029CBP23H-L</b>	230	50	33	0.14	0.20	1350	4.5	159	2.2	0.09	43	3.0
	230	60	31	0.13	0.19	1560	5.0	177	3.3	0.13	46	3.0