

THIS DRAWING IS UNPUBLISHED. RELEASED FOR PUBLICATION
 © COPYRIGHT - By - ALL RIGHTS RESERVED.

LOC	DIST	REVISIONS					
		P	LTR	DESCRIPTION	DATE	DWN	APVD
G	14		F1	REVISED PER ECO-11-004917	11MAR11	RK	HMR

D

D

C

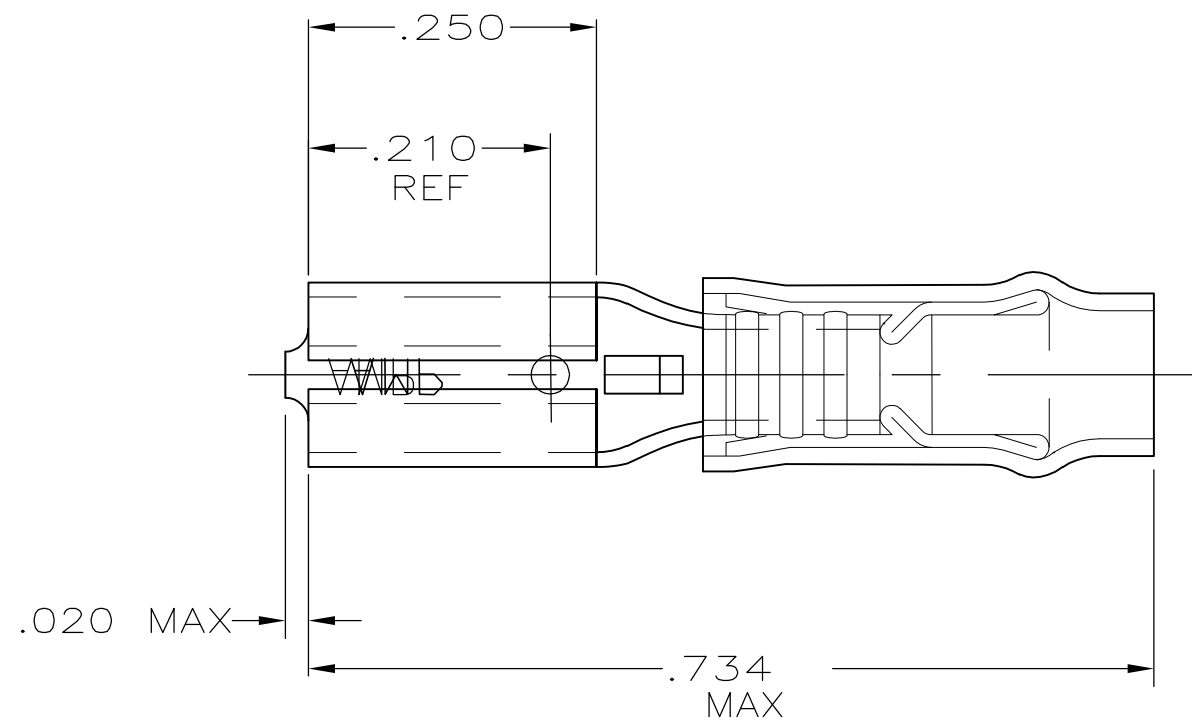
C

B

B

A

A



- 1. INSULATION DIA .100 MAX
- 2. TAB THK .033 MAX

5	LOOSE PC,BLS	8-60894-4
100	LOOSE PC,BOX	8-60894-1
-	TAPE MOUNTED	60894-2
-	LOOSE PIECE	60894-1
QTY	PACKAGE TYPE	PART NO

AMP INCORPORATED CUSTOMER SERVICE SYSTEM	
FOR ADDITIONAL PRODUCT INFORMATION OR COPIES OF DRAWINGS AND TECHNICAL DOCUMENTS	PRODUCT INFORMATION CENTER 1-800-522-6752
FOR APPLICATION TOOLING INFORMATION	TOOLING ASSISTANCE CENTER 1-800-722-1111
FOR ORDER ENTRY	1-800-526-5142

MAX RECOMMENDED OPERATING TEMPERATURE: -	VOLTAGE RATING: -	CIRCULAR MIL AREA: -
--	----------------------	-------------------------

THIS DRAWING IS A CONTROLLED DOCUMENT.	
DIMENSIONS: INCHES	TOLERANCES UNLESS OTHERWISE SPECIFIED:
	0 PLC ± - 1 PLC ± - 2 PLC ± .015 3 PLC ± - 4 PLC ± - ANGLES ± -
MATERIAL BODY,BRASS .012 SLV,NYLON,COLOR,CLEAR	FINISH BODY,PRE-TIN

DWN L OLMEDA 13NOV95	CHK M ELLIS 13NOV95	APVD B BARE 13NOV95
PRODUCT SPEC	APPLICATION SPEC	WEIGHT
-	-	-

TE Connectivity			
NAME RECEPTACLE, 110 SERIES, FASTON™, PIDG™, WIRE SIZE, 22-18 AWG			
SIZE	CAGE CODE	DRAWING NO	RESTRICTED TO
A3	00779	C-60894	-
CUSTOMER DRAWING		SCALE NTS	SHEET 1 OF 1
		REV F1	