

THCV233 and THCV234 Main-Link

V-by-One[®] HS High-speed video data transmitter and receiver with bi-directional transceiver

1. General Description

THCV233 and THCV234 are V-by-One[®] HS High-speed video data transmitter/receiver with bi-directional transceiver. They convey not only video data (Main-Link), but also bi-directional system control data (Sub-Link) that is driven by 2-wire serial interface. HOST CPU-side of Sub-Link is selectable on each device and the other side of Sub-Link* integrates I/O expander.

THCV233-234 system is able to watch and control peripheral devices via 2-wire serial interface or GPIOs. They also can report interrupt events caused by change of GPIO inputs and internal statuses.

2. Features

- LVDS Input internal termination
- CORE 1.8V, LVDS 3.3V
- Package: 48 pin QFN
- EU RoHS Compliant
- Main-Link
 - Data width selectable: 24/32 bit
 - Single/Dual Link selectable
 - AC coupling
 - Wide frequency range
 - CDR requires no external freq. reference
 - Supports Spread Spectrum Clocking: Up to 30kHz/±0.5%(center spread)
- Sub-Link
Concerning Sub-Link and GPIO detail specification, please refer to “THCV233-THCV234_Sub-Link”.

Si/So:Single-in/Single-out, Si/Do:Single-in/Dual-out
 Si/DDo:Single-in/Distributed Dual-out
 Di/So:Dual-in/Single-out, Di/SSo:Dual-in/Selected Single-out

Product	TMP	VDL	Width	Link	LVDS Clock Freq.
THCV233	0°C~70°C	1.62V~1.98V	24bit	Si/So	9MHz to 100MHz
				Si/DDo	20MHz to 100MHz
				Si/Do	40MHz to 100MHz
			32bit	Si/So	9MHz to 85MHz
				Si/DDo	20MHz to 85MHz
				Si/Do	40MHz to 85MHz
	-40°C~105°C	1.7V~1.98V	24bit	Si/So	9MHz to 100MHz
				Si/DDo	20MHz to 100MHz
				Si/Do	40MHz to 100MHz
			32bit	Si/So	9MHz to 75MHz
				Si/DDo	20MHz to 75MHz
				Si/Do	40MHz to 75MHz
THCV234	0°C~70°C	1.62V~1.98V	24bit	Si/So	9MHz to 100MHz
				Di/SSo	20MHz to 100MHz
				Di/So	40MHz to 100MHz
			32bit	Si/So	9MHz to 85MHz
				Di/SSo	20MHz to 85MHz
				Di/So	40MHz to 85MHz
	-40°C~105°C	1.7V~1.98V	24bit	Si/So	9MHz to 95MHz
				Di/SSo	20MHz to 95MHz
				Di/So	40MHz to 95MHz
			32bit	Si/So	9MHz to 71.25MHz
				Di/SSo	20MHz to 71.25MHz
				Di/So	40MHz to 71.25MHz

Table 1

3. Block Diagram

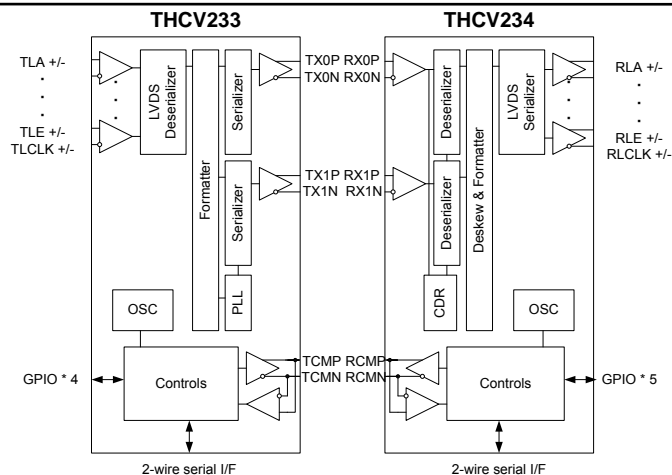


Figure 1

Contents Page

1. General Description	1
2. Features	1
3. Block Diagram	1
4. Pin Configuration	3
5. Pin Description	4
6. General Operation Mode	8
7. Main-Link Operation Mode	9
8. Function Description	10
Functional Overview	10
Data Enable Requirement (DE)	11
Data alignment indicator input of THCV233 (ALNIN)	12
Data alignment indicator output of THCV234 (ALNOUT)	12
Data Enable Select of THCV233	12
HTPDN, LOCKN transmission route setting (IOSEL)	13
Power Down (PDN[1:0])	13
Color depth or data width setting function for Main-Link (COL)	13
Operation mode function of THCV233 (MODE[1:0])	13
Operation mode function of THCV234 (MODE[1:0])	13
2-wire serial interface master/slave setting (MSSEL)	14
2-wire serial interface interrupt output (INT)	14
2-wire serial interface address setting (AIN[1:0])	14
Multiple-chip configuration total Rx side LOCKN indicator (DGLOCK)	15
LVDS Mapping	16
THCV234 LVDS Reduced swing output function (RS)	18
CML Buffer	19
Lock detect and Hot-plug function	20
No HTPDN connection option	20
THCV233 Pre-emphasis function (PRE)	21
Field BET Operation	21
9. Absolute Maximum Ratings	22
10. Operating Conditions	23
11. Electrical Specifications	24
12. AC Timing Diagrams and Test Circuits	31
Package	39
Notices and Requests	40

4. Pin Configuration

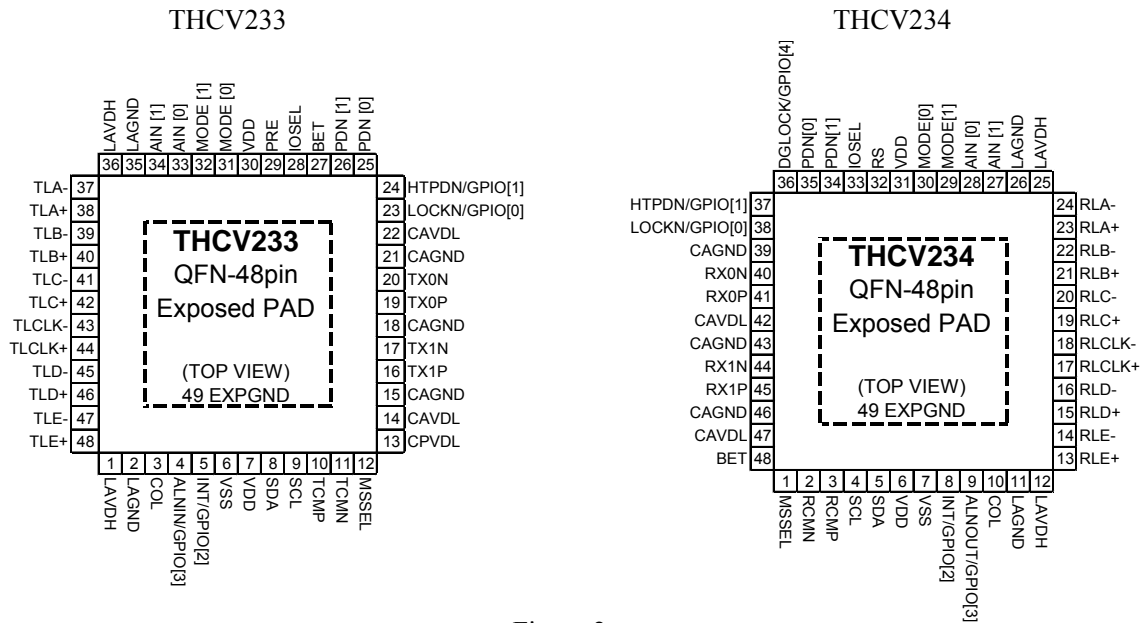


Figure 2

5. Pin Description

Table 2 THCV233 Pin Description

Pin Name	Pin #	Type*	Description
TLA -/+	37,38	LI	LVDS signal input.
TLB -/+	39,40	LI	
TLC -/+	41,42	LI	
TLCLK -/+	43,44	LI	
TLD -/+	45,46	LI	
TLE -/+	47,48	LI	
TX0N/P	20,19	CO	High-speed CML signal output (Main-Link).
TX1N/P	17,16	CO	
LOCKN/GPIO[0]	23	BO	Lock detect input (LOCKN) or GPIO[0]. When IOSEL=L, used as LOCKN, it must be connected to Rx LOCKN with a Tx side 10kΩ pull-up resistor. LOCKN is input only. When IOSEL=H without any register setting, used as GPIO[0] input, no external component is required. When IOSEL=H and used as GPIO[0] output, it must be connected with a pull-up resistor to 3.3V as an open-drain output pin.
HTPDN/GPIO[1]	24	BO	Hot plug detect input (HTPDN) or GPIO[1]. When IOSEL=L, used as HTPDN, it must be connected to Rx HTPDN with a Tx side 10kΩ pull-up resistor. HTPDN is input only. When IOSEL=H without any register setting, used as GPIO[1] input, no external component is required. When IOSEL=H and used as GPIO[1] output, it must be connected with a pull-up resistor to 3.3V as an open-drain output pin.
TCMN/P	11,10	CB	CML bi-directional input/output (Sub-Link). When PDN[1]=L, Sub-Link power down, it can be left open.
INT/GPIO[2]	5	B	Interrupt signal output for Sub-Link (INT) or GPIO[2]. When MSSEL=L, used as INT output, it must be connected with a pull-up resistor to 3.3V. INT can monitor changes of GPIO input pins and internal statuses and reports event set by register (default : no monitor). H : Steady state, L : Interrupt occurred When MSSEL=H without any register setting, used as GPIO[2] input, no external component is required. When used as GPIO[2] open-drain output, it must be connected with a pull-up resistor to 3.3V. When used as GPIO[2] input or push pull output, no external component is required.
ALNIN/GPIO[3]	4	B	Data alignment enable input for LVDS data sets (ALNIN) or GPIO[3]. ALNIN is default without any register setting. ALNIN is external DE input pin. When input LVDS does not contain DE signal, DE can be provided as external input. Activation of ALNIN function follow the following settings. When PDN[1:0]=LH, Main-Link Only Active, SCL pin is worked as "choice of DE input" selector; therefore, SCL=L activates ALNIN. H : DE input from LVDS is used for processing, L : DE input from ALNIN is used for processing When PDN[1:0]=HH, Main-Link and Sub-Link active, register setting determines whether ALNIN is activated and its polarity. When used as ALNIN, no external component is required. ALNIN is input only. When used as GPIO[3] open-drain output, it must be connected with a pull-up resistor to 3.3V. When used as GPIO[3] input or push pull output, no external component is required.
SDA	8	BO	Data Schmitt input/output for 2-wire serial interface. When PDN[1]=H, Sub-Link active, it must be connected with a pull-up resistor to 3.3V. When PDN[1:0]=LH, Main-Link Only Active, it must be connected with a pull-up resistor to 3.3V.
SCL	9	BO	Clock Schmitt input/output for 2-wire serial interface. When PDN[1]=H, Sub-Link active, it must be connected with a pull-up resistor to 3.3V. When PDN[1:0]=LH, Main-Link Only Active, SCL pin is worked as "choice of DE input" selector. H : DE input from LVDS is used for processing, L : DE input from ALNIN is used for processing

*Type symbol

I=3.3V CMOS input, B= CMOS Bi-directional buffer, BO= OpenDrain CMOS Bi-directional buffer

L=LVDS input, CO=CML output, CB=CML Bi-directional buffer

P33=Power 3.3V, P18=Power 1.8V, GND=GND

Please refer to "THCV233-THCV234_Sub-Link" data sheet about Sub-Link and GPIO.

THCV233 Pin Description (Continued)

Pin Name	Pin #	Type*	Description
MSEL	12	I	Master-side/Slave-side selector for Sub-Link and 2-wire serial interface. H : Sub-Link Slave side (inside 2-wire serial I/F is master), L : Sub-Link Master side (inside 2-wire serial I/F is slave) Sub-Link Master is connected to HOST MPU. Forbid the same setting between THCV233 and THCV234.
AIN [1:0]	34,33	I	Address setting for 2-wire serial interface. When using 2-wire serial interface, it must be set the same value as THCV234's one. AIN[1:0] =LL : 7'b0001011 =LH : 7'b0110100 =HL : 7'b1110111 =HH : Reserved (Forbidden)
MODE [1:0]	32,31	I	Operation mode select input for Main-Link. MODE[1:0] =LL : Single-in/Distribution dual-out =LH : Single-in/Single-out =HL : Single-in/Dual-out =HH : Reserved (Forbidden)
IOSEL	28	I	HTPDN, LOCKN pin enable input for Main-Link. H : HTPDN, LOCKN pin disable (GPIO[1:0] enable), L : HTPDN, LOCKN pin enable (GPIO[1:0] disable) When IOSEL inputs H, HTPDN and LOCKN state in THCV234 are brought by Sub-Link.
PDN [1:0]	26,25	I	Power down Schmitt input. PDN[1]: For Sub-Link power down control (2-wire serial interface + Sub-Link) H: Normal operation, L: Power down PDN[0]: For Main-Link power down control (LVDS-Rx + Main-Link) H: Normal operation, L: Power down
PRE	29	I	Pre-Emphasis level select input for Main-Link. H : 100%, L : 0%
COL	3	I	Data width setting for Main-Link. H : 24bit, L : 32bit
BET	27	I	Field-BET entry. H : Field BET Operation, L : Normal Operation
LAVDH	1,36	P33	LVDS power supply (3.3V)
LAGND	2,35	GND	LVDS GND
CAVDL	22,14	P18	High-speed signal analog power supply (1.8V)
CAGND	21,18,15	GND	High-speed signal analog GND
CPVDL	13	P18	High-speed signal PLL power supply (1.8V)
VDD	7,30	P18	Logic power supply (1.8V)
VSS	6	GND	Logic GND
EXPGND	49	GND	EXPOSED PAD GND

*Type symbol

I=3.3V CMOS input, B= CMOS Bi-directional buffer, BO= OpenDrain CMOS Bi-directional buffer

LI=LVDS input, CO=CML output, CB=CML Bi-directional buffer

P33=Power 3.3V, P18=Power 1.8V, GND=GND

Please refer to "THCV233-THCV234_Sub-Link" data sheet about Sub-Link and GPIO.

Table 3 THCV234 Pin Description

Pin Name	Pin #	Type*	Description
RLA -/+	24,23	LO	LVDS signal output.
RLB -/+	22,21	LO	
RLC -/+	20,19	LO	
RLCLK -/+	18,17	LO	
RLD -/+	16,15	LO	
RLE -/+	14,13	LO	
RX0N/P	40,41	CI	High-speed CML signal input (Main-Link).
RX1N/P	44,45	CI	
LOCKN/GPIO[0]	38	BO	Lock detect output (LOCKN) or GPIO[0]. When IOSEL=L, used as LOCKN, it must be connected to Tx LOCKN with a Tx side 10kΩ pull-up resistor. LOCKN is output only. When IOSEL=H without any register setting, used as GPIO[0] input, no external component is required. When IOSEL=H and used as GPIO[0] output, it must be connected with a pull-up resistor to 3.3V as an open-drain output pin.
HTPDN/GPIO[1]	37	BO	Hot plug detect output (HTPDN) or GPIO[1]. When IOSEL=L, used as HTPDN, it must be connected to Tx HTPDN with a Tx side 10kΩ pull-up resistor. HTPDN is output only. When IOSEL=H without any register setting, used as GPIO[1] input, no external component is required. When IOSEL=H and used as GPIO[1] output, it must be connected with a pull-up resistor to 3.3V as an open-drain output pin.
RCMN/P	2,3	CB	CML bi-directional input/output (Sub-Link). When PDN[1]=L, Sub-Link power down, it can be left open.
INT/GPIO[2]	8	B	Interrupt signal output for Sub-Link (INT) or GPIO[2]. When MSSEL=L, used as INT output, it must be connected with a pull-up resistor to 3.3V. INT can monitor changes of GPIO input pins and internal statuses and reports event set by register (default : no monitor). H : Steady state, L : Interrupt occurred When MSSEL=H without any register setting, used as GPIO[2] input, no external component is required. When used as GPIO[2] open-drain output, it must be connected with a pull-up resistor to 3.3V. When used as GPIO[2] input or push pull output, no external component is required.
ALNOUT/GPIO[3]	9	B	Data alignment enable output (ALNOUT) for LVDS data sets or GPIO[3]. ALNOUT is default without any register setting. When used as ALNOUT, no external component is required. It is push pull output. ALNOUT output DE timing depending upon data stream state. ALNOUT is output only. When used as GPIO[3] open-drain output, it must be connected with a pull-up resistor to 3.3V. When used as GPIO[3] input or push pull output, no external component is required. Bit Error Test (BET) result output under Field-BET operation H : No error, L : Bit error occurred
DGLOCK/GPIO[4]	36	BPU	Multiple-chip configuration total Rx side LOCKN indicator (DGLOCK) or GPIO[4]. DGLOCK is default without any register setting. When used as DGLOCK, it is internally connected with a pull-up resistor to 3.3V. No external component is required. LOCKN arrange among Rx Multiple-chip configuration is achieved by connecting all DGLOCK pins. When used as GPIO[4] output, which is open-drain output only. It must be connected with a pull-up resistor to 3.3V. When used as GPIO[4] input, no external component is required.
SDA	5	BO	Data Schmitt input/output for 2-wire serial interface. When PDN[1]=H, Sub-Link active, it must be connected with a pull-up resistor to 3.3V. When PDN[1]=L, Sub-Link power down, it can be directly connected to GND.
SCL	4	BO	Clock Schmitt input/output for 2-wire serial interface. When PDN[1]=H, Sub-Link active, it must be connected with a pull-up resistor to 3.3V. When PDN[1]=L, Sub-Link power down, it can be directly connected to GND.

*Type symbol

I=3.3V CMOS input, B= CMOS Bi-directional buffer, BO= OpenDrain CMOS Bi-directional buffer

BPU =CMOS Bi-directional buffer with an on-chip pullup resistor

LO=LVDS output, CO=CML output, CB=CML Bi-directional buffer

P33=Power 3.3V, P18=Power 1.8V, GND=GND

Please refer to “THCV233-THCV234_Sub-Link” data sheet about Sub-Link and GPIO.

THCV234 Pin Description (Continued)

Pin Name	Pin #	Type*	Description
MSEL	1	I	Master-side/Slave-side selector for Sub-Link and 2-wire serial interface. H : Sub-Link Slave side (inside 2-wire serial I/F is master), L : Sub-Link Master side (inside 2-wire serial I/F is slave) Sub-Link Master is connected to HOST MPU. Forbid the same setting between THCV233 and THCV234.
AIN [1:0]	27,28	I	Address setting for 2-wire serial interface. When used 2-wire serial interface, it must be set the same value as THCV233's one. AIN[1:0] =LL : 7'b0001011 =LH : 7'b0110100 =HL : 7'b1110111 =HH : Reserved (Forbidden)
MODE [1:0]	29,30	I	Operation mode select input for Main-Link. MODE [1:0] =LL : Dual-in/Selected single-out (Lane0) =LH : Dual-in/Single-out =HL : Dual-in/Selected single-out (Lane1) =HH : Single-in/Single-out
IOSEL	33	I	HTPDN, LOCKN pin enable output for Main-Link. H : HTPDN, LOCKN pin disable (GPIO[1:0] enable), L : HTPDN, LOCKN pin enable (GPIO[1:0] disable) When IOSEL inputs H, HTPDN and LOCKN state in THCV234 are brought by Sub-Link.
PDN [1:0]	34,35	I	Power down Schmitt input. PDN[1]: For Sub-Link power down control (2-wire serial interface + Sub-Link) H : Normal operation, L : Power down PDN[0]: For Main-Link power down control (LVDS-Rx + Main-Link) H : Normal operation, L : Power down
RS	32	I	LVDS output swing range select input. H : Normal swing (350mv@typ.), L : Reduced swing (200mv@typ.) Latch select input under Field-BET operation H : Latched result, L : NOT Latched result
COL	10	I	Data width setting for Main-Link. H : 24bit, L : 32bit
BET	48	I	Field-BET entry. H : Field BET Operation, L : Normal Operation
LAVDH	12,25	P33	LVDS power supply (3.3V)
LAGND	11,26	GND	LVDS GND
CAVDL	42,47	P18	High-speed signal analog power supply (1.8V)
CAGND	39,43,46	GND	High-speed signal analog GND
VDD	6,31	P18	Logic power supply (1.8V)
VSS	7	GND	Logic GND
EXPGND	49	GND	Exposed PAD GND

*Type symbol

I=3.3V CMOS input, B= CMOS Bi-directional buffer, BO= OpenDrain CMOS Bi-directional buffer

BPU =CMOS Bi-directional buffer with an on-chip pullup resistor

LO=LVDS output, CO=CML output, CB=CML Bi-directional buffer

P33=Power 3.3V, P18=Power 1.8V, GND=GND

Please refer to “THCV233-THCV234_Sub-Link” data sheet about Sub-Link and GPIO.

6. General Operation Mode

Table 4

Operation Mode	Schematic Diagram of Operation
Main-Link(V-by-One [®] HS compliant)	
Main-Link & Sub-Link(with up to 8 GPIO port)	
Sub-Link(with up to 8 GPIO port)	

Please refer to “THCV233-THCV234_Sub-Link” data sheet about Sub-Link and GPIO.

7. Main-Link Operation Mode

Table 5

THCV233	THCV234
<p>Single-In/Single-Out</p> <p>MODE[1:0]=LH</p>	<p>Single-In/Single-Out</p> <p>MODE[1:0]=HH</p>
<p>Single-In/Dual-Out</p> <p>MODE[1:0]=HL</p>	<p>Dual-In/Single-Out</p> <p>MODE[1:0]=LH</p>
<p>Single-In/Single-Out * 2</p> <p>MODE[1:0]=LH</p>	<p>Dual-In/Selected Single-Out</p> <p>MODE[1:0]=LL / HL</p>
<p>Single-In/Distributed Dual-Out</p> <p>MODE[1:0]=LL</p>	<p>Single-In/Single-Out * 2</p> <p>MODE[1:0]=HH</p>

8. Function Description

Functional Overview

With High Speed CML SerDes, proprietary encoding scheme and CDR (Clock and Data Recovery) architecture, THCV233 and THCV234 enable transmission of 24/32bit video data, 2bit control data and Data Enable (DE) through Main-Link by single/dual differential pair cable with minimal external components. In addition, THCV233 and THCV234 has Sub-Link which enables bi-directional transmission of 2-wire interface signals, GPIO signals and also HTPDN/LOCKN signals for Main-Link through the other 1-pair of CML-Line. It does not need any external frequency reference, such as a crystal oscillator.

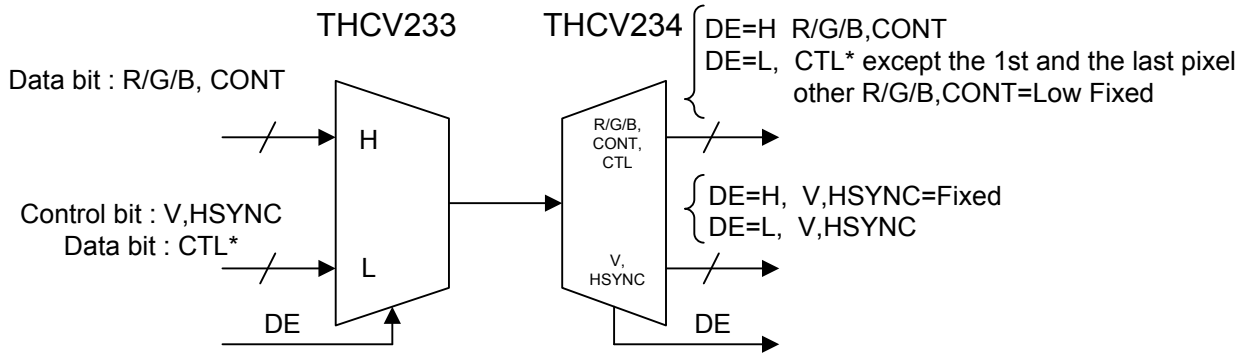
THCV233, transmitter of Main-Link, inputs LVDS data (including video data, control data and DE) and serializes video data and control data separately, depending on polarity of DE. DE is a signal which indicates whether video or control data are active. When DE is high, it serializes video data inputs into CML data streams. And it transmits serialized control data when DE is low. Instead of DE in the LVDS format, THCV233 has ALNIN LVCMOS-input pin, which enables to transfer LVDS input data with external DE input via ALNIN.

THCV234, receiver of Main-Link, automatically extracts clock from the incoming data streams and converts high-speed serial data into video data with DE being high or control data with DE being low, recognizing which type of serial data is being sent by transmitter. And it outputs the recovered data in the form of LVDS data. THCV234 has ALNOUT output pin which transmits DE signal in LVCMOS. THCV234 can seamlessly operate for a wide range of a serial bit rate from 270Mbps to 3.4Gbps/lane.

Please refer to “THCV233-THCV234_Sub-Link” data sheet about Sub-Link and GPIO.

Data Enable Requirement (DE)

There are some requirements for DE signal as described in Figure 3, Figure 4 Figure 14 and Table 31. If DE=Low, control data of same cycle and particular assigned data bit 'CTL' except the first and the last pixel are transmitted. Otherwise video data are transmitted during DE=High. Control data from receiver in DE=High period are previous data of DE transition. See Figure 4. The length of DE being low and high is at least 2 clock cycles long, as described in Figure 14 and Table 31. Data Enable must be toggled like High -> Low -> High at regular interval.



*CTL are particular assigned bit among R/G/B, CONT that can carry arbitrary data during DE=Low period.

Figure 3 Conceptual diagram of the basic operation of the chipset

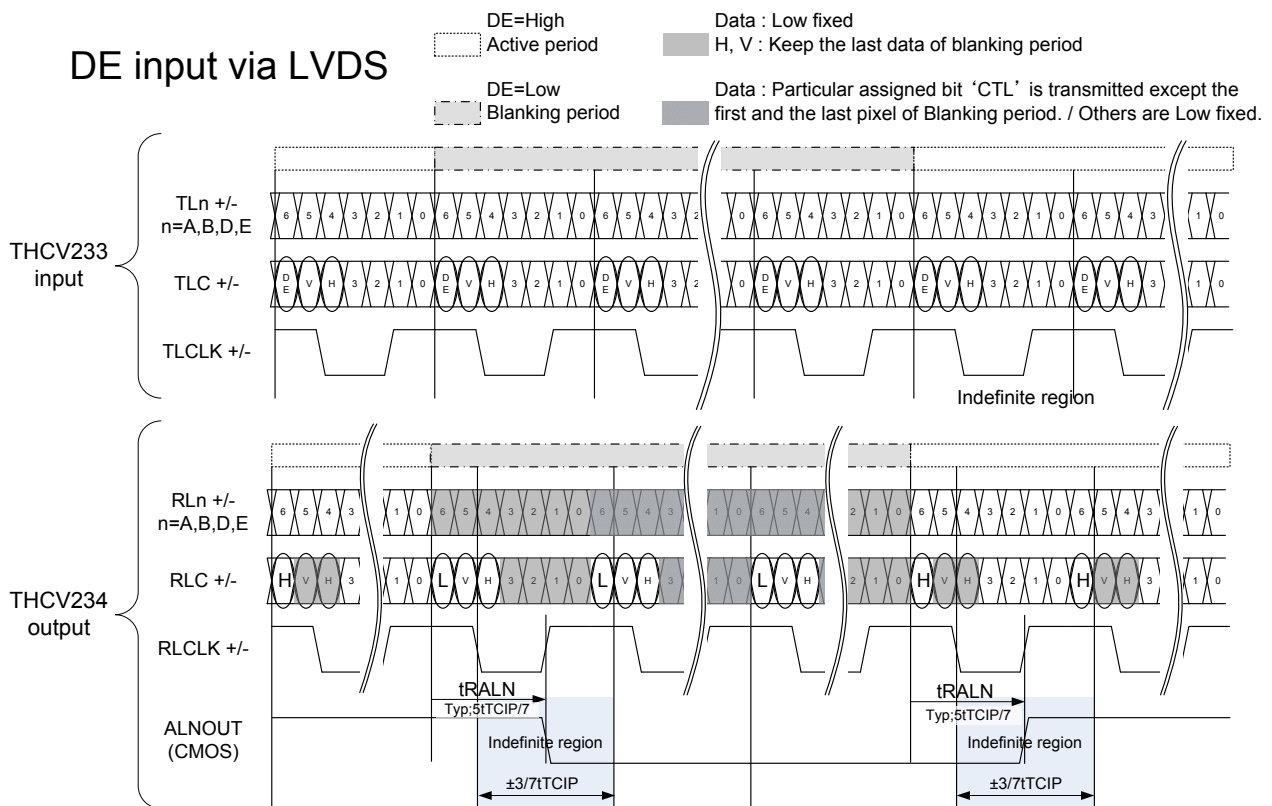


Figure 4 Data bit and control bit transmission when DE is from LVDS (default)

ALNIN is external DE input. When input LVDS does not contain DE signal, DE can be provided via ALNIN. Activation setting of ALNIN function is described in the following “Data Enable Select of THCV233”.

Data alignment indicator output of THCV234 (ALNOUT)

ALNOUT output DE timing depending upon data stream state.

Data Enable Select of THCV233

Depending on pin or register setting THCV233 can deal with several DE alternatives.

When PDN[1:0]=LH, SCL pin is worked as "choice of DE input" selector.

H : DE input from LVDS is used for processing, L : DE input from ALNIN is used for processing

When PDN[1:0]=HH, register setting determines the following. Default “From LVDS, normal polarity, TLC[6]”

See register mapping. When DE input bit is from TLC[5] or TLC[4], operation follows Figure 4.

Whether DE input from LVDS or from ALNIN is used for processing

DE input polarity

Whether DE input from LVDS used for processing is TLC[6] or TLC[5] or TLC[4]

Figure 5 indicate ALNIN operation. User must take care of data indefinite region and had better ignore them.

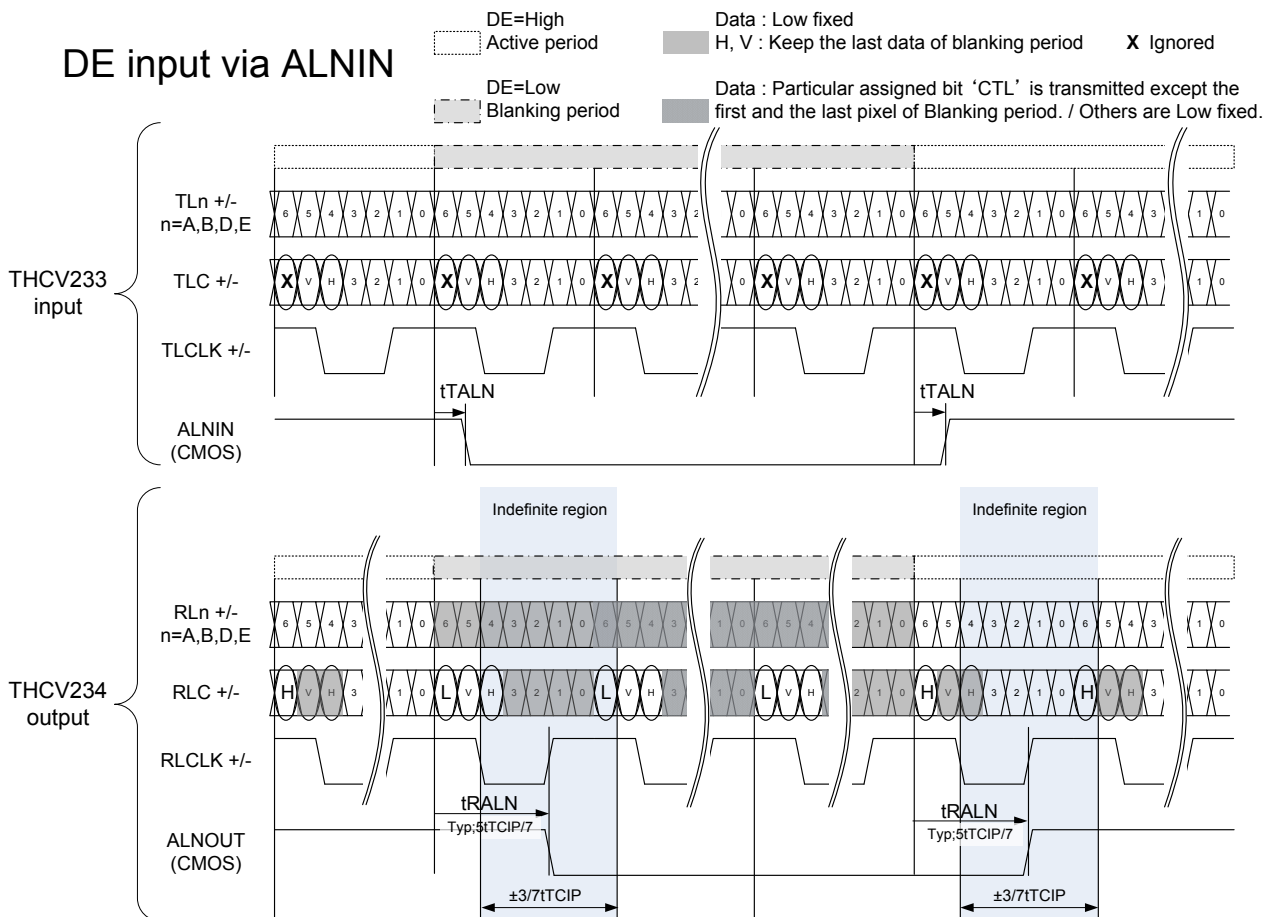


Figure 5 Data bit and control bit transmission when DE is from ALNIN

HTPDN, LOCKN transmission route setting (IOSEL)

IOSEL determine the HTPDN/LOCKN signal transmission route.
If HTPDN and LOCKN are transmitted by Sub-Link, remained pins become GPIO.

Table 6 HTPDN/LOCKN Transmission Route Setting

IOSEL	HTPDN/LOCKN
L	HTPDN/LOCKN are transmitted via external DC signal.
H	HTPDN/LOCKN are transmitted via Sub-Link. Remained pins become GPIO, driven via 2-wire serial.

Please refer to “THCV233-THCV234_Sub-Link” data sheet about Sub-Link and GPIO.

Power Down (PDN[1:0])

PDN[1:0] turn off internal circuitry of Main-Link and Sub-Link separately.

Table 7 Power Down Setting

PDN[1:0]	Operation
LL	Both Main-Link and Sub-Link power down
LH	Only Main-Link is active
HL	Only Sub-Link is active
HH	Both Main-Link and Sub-Link active

Please refer to “THCV233-THCV234_Sub-Link” data sheet about Sub-Link and GPIO.

Color depth or data width setting function for Main-Link (COL)

COL pin enables to select data width for Main-Link. E-ch. (TLE-/++ and RLE-/++) is disable with COL=H.

Table 8 Data Width Setting Function

COL	Mode Function
L	32bit-Data width
H	24bit-Data width

Operation mode function of THCV233 (MODE[1:0])

MODE[1:0] pins select data transfer mode of THCV233 as Table 2.

Table 9 Operation Mode Setting Function for THCV233

MODE[1:0]	Operation mode
LL	Single-in / Distribution Dual-out
LH	Single-in / Single-out
HL	Single-in / Dual-out
HH	Reserved (forbidden)

Operation mode function of THCV234 (MODE[1:0])

MODE[1:0] pins select data transfer mode of THCV234 as Table 2.

Table 10 Operation Mode Setting Function for THCV234

MODE[1:0]	Operation mode
LL	Dual-in / Selected single-out (Lane 0)
LH	Dual-in / Single-out
HL	Dual-in / Selected single-out (Lane 1)
HH	Single-in /Single-out

2-wire serial interface master/slave setting (MSSEL)

MSSEL selects Master / Slave side of Sub-Link and 2-wire serial interface in the devices. THC233 and THC234 should be with different setting.

Table 11 Master / Slave Setting

MSSEL	Sub-Link Master / Slave (2-wire serial master / slave)
L	Sub-Link Master side (2-wire serial slave)
H	Sub-Link Slave side (2-wire serial master)

Please refer to “THC233-THC234_Sub-Link” data sheet about Sub-Link and GPIO.

2-wire serial interface interrupt output (INT)

INT outputs interrupt event indicator on Sub-Link Master side of the system.

As default setting, INT does not monitor any event. Being set by 2-wire serial interface, THC233 and THC234 can monitor any changes of GPIO input pins and internal statuses as an interrupt.

Table 12 Interrupt output

INT	State
L	Interrupt occurred
H	Steady state

Please refer to “THC233-THC234_Sub-Link” data sheet about Sub-Link and GPIO.

2-wire serial interface address setting (AIN[1:0])

AIN[1:0] pins determine address setting of THC233 and THC234.

Both devices should have the same address setting.

Table 13 2-wire serial interface address setting select

AIN[1:0]	2-wire interface address setting
LL	7'b0001011
LH	7'b0110100
HL	7'b1110111
HH	Reserved (forbidden)

Please refer to “THC233-THC234_Sub-Link” data sheet about Sub-Link and GPIO.

Multiple-chip configuration total Rx side LOCKN indicator (DGLOCK)

In order to reduce the number of cables needed for HTPDN and LOCKN in multiple-Rx chip configuration, THCV234 is equipped with the DGLOCK pin. When all the DGLOCK pins are connected as in Figure 6, the connected Rx chips can share the CDR lock status, making all the Rx chips in the same operation status.

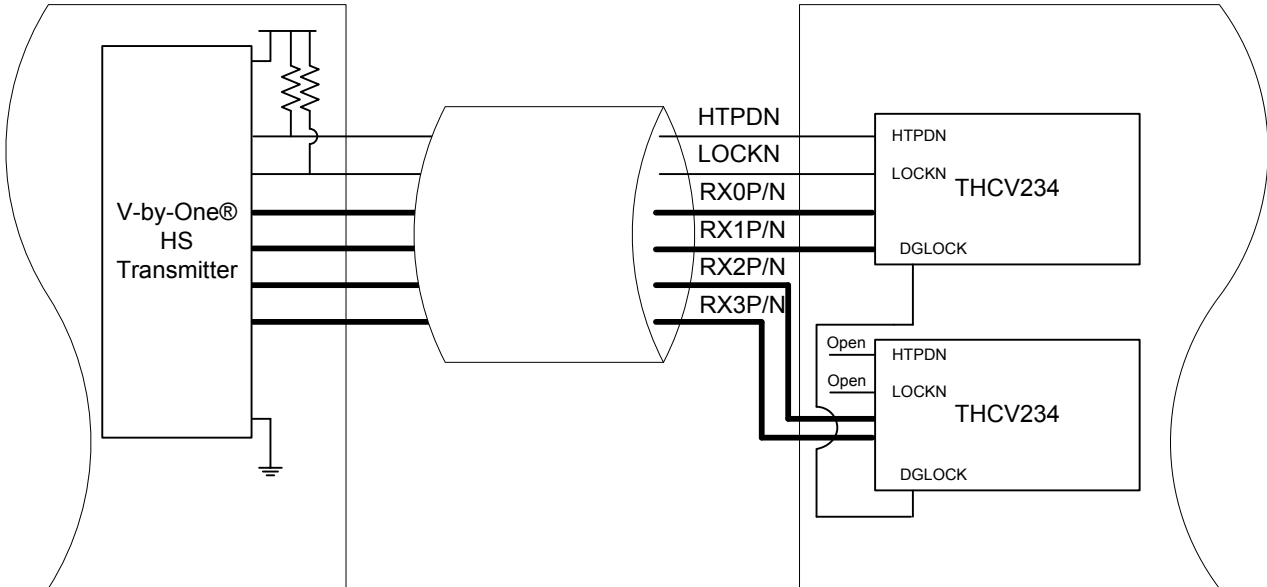


Figure 6 Usage of DGLOCK in multiple-Rx configuration

LVDS Mapping

LVDS data (video data, control data, DE) are mapped as Figure 7. TLC[6] is special bit for DE(data enable), and TLC[5:4] are for control data bits and the other bits are for video data. Among video data there are special assigned bit 'CTL' are defined for the data transmission under DE=low condition.

The number of LVDS channel depends on color depth mode(COL).

TLD[6] is not available in 24bit Data-width mode.

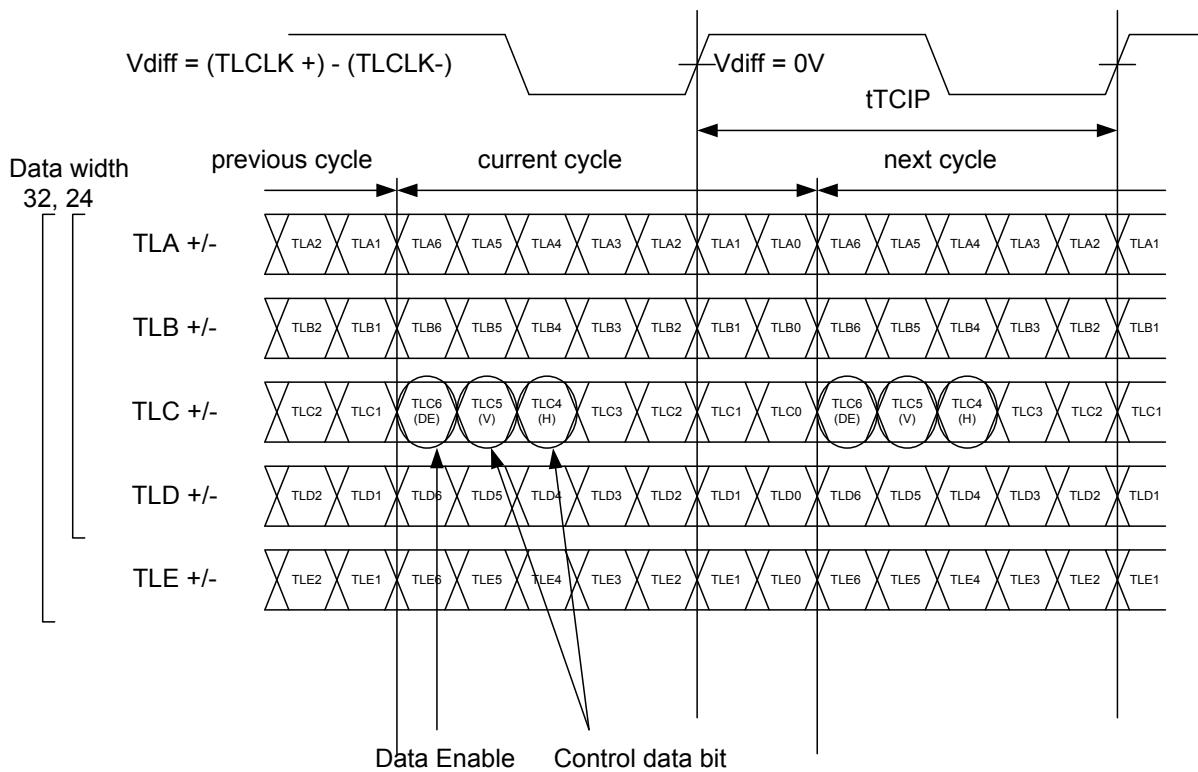


Figure 7 LVDS Data mapping timing diagram

Table 14 LVDS Color Data Mapping Table

THCV233 Input	THCV234 Output	COL		Symbol defined by V-by-One® HS
		H (8bit)	L (10bit)	
TLA[0]	RLA[0]	R[2]	R[4]	D2
TLA[1]	RLA[1]	R[3]	R[5]	D3
TLA[2]	RLA[2]	R[4]	R[6]	D4
TLA[3]	RLA[3]	R[5]	R[7]	D5
TLA[4]	RLA[4]	R[6]	R[8]	D6
TLA[5]	RLA[5]	R[7]	R[9]	D7
TLA[6]	RLA[6]	G[2]	G[4]	D10
TLB[0]	RLB[0]	G[3]	G[5]	D11
TLB[1]	RLB[1]	G[4]	G[6]	D12
TLB[2]	RLB[2]	G[5]	G[7]	D13
TLB[3]	RLB[3]	G[6]	G[8]	D14
TLB[4]	RLB[4]	G[7]	G[9]	D15
TLB[5]	RLB[5]	B[2]*2	B[4]*2	D18
TLB[6]	RLB[6]	B[3]*2	B[5]*2	D19
TLC[0]	RLC[0]	B[4]*2	B[6]*2	D20
TLC[1]	RLC[1]	B[5]*2	B[7]*2	D21
TLC[2]	RLC[2]	B[6]*2	B[8]*2	D22
TLC[3]	RLC[3]	B[7]*2	B[9]*2	D23
TLC[4]	RLC[4]	HSYNC	HSYNC	Hsync
TLC[5]	RLC[5]	VSYNC	VSYNC	Vsync
TLC[6]	RLC[6]	DE	DE	DE
TLD[0]	RLD[0]	R[0]	R[2]	D0
TLD[1]	RLD[1]	R[1]	R[3]	D1
TLD[2]	RLD[2]	G[0]	G[2]	D8
TLD[3]	RLD[3]	G[1]	G[3]	D9
TLD[4]	RLD[4]	B[0]*2	B[2]*2	D16
TLD[5]	RLD[5]	B[1]*2	B[3]*2	D17
TLD[6]	RLD[6]	N/A*1	CONT[1]*2*3	D25*3
TLE[0]	RLE[0]	Channel Power Down	R[0]*2	D30
TLE[1]	RLE[1]		R[1]*2	D31
TLE[2]	RLE[2]		G[0]*2	D28
TLE[3]	RLE[3]		G[1]*2	D29
TLE[4]	RLE[4]		B[0]*2	D26
TLE[5]	RLE[5]		B[1]*2	D27
TLE[6]	RLE[6]		CONT[2]*2*3	D24*3

*1 N/A: Not available, THCV234 output RLDn[6]=Low.

*2 CTL bits, which are carried during DE=Low except the 1st and the last pixel

*3 3D flags defined in the V-by-One® HS Standard are assigned to the following bit.

V-by-One® HS Standard Packer/Unpacker D[24](3DLR) <=> LVDS T/RLE[6]

V-by-One® HS Standard Packer/Unpacker D[25](3DEN) <=> LVDS T/RLD[6]

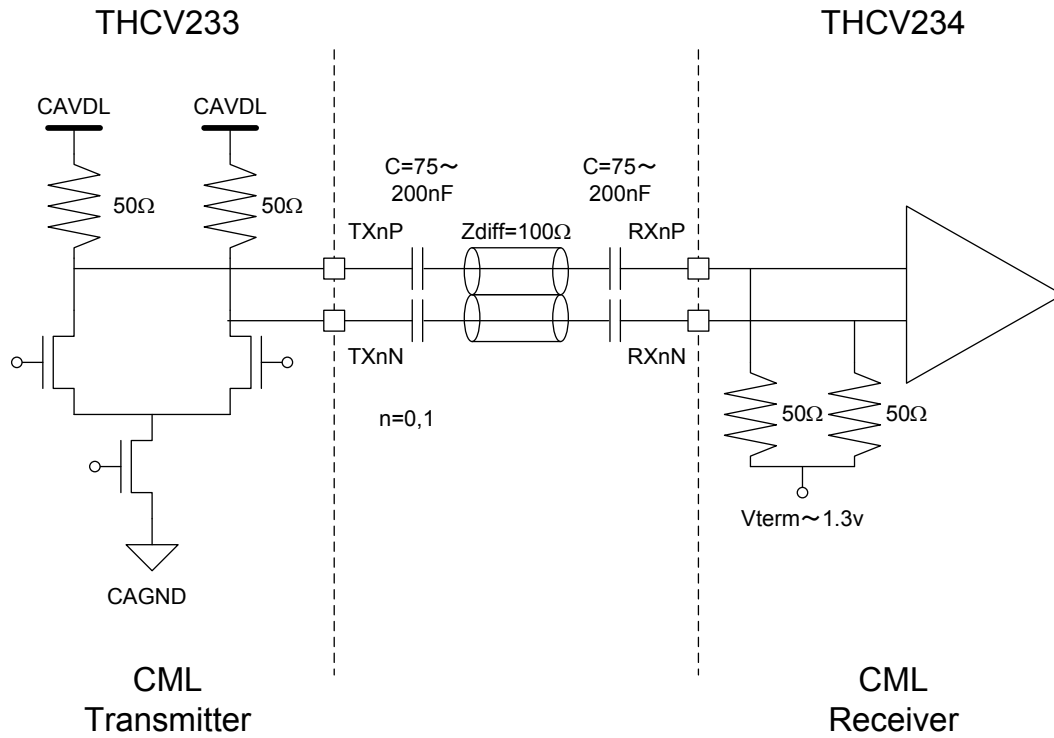
Reduced swing output function (RS)

RS controls THCV234 LVDS output swing level.

Table 15 LVDS output swing level

RS	Output swing
L	Reduced swing (200mV typical)
H	Normal swing (350mV typical)

CML Buffer



Capacitor on transmitter side is mandatory, while receiver side is optional and recommended.

Figure 8 High-Speed CML Buffer Scheme

Lock detect and Hot-plug function

When IOSEL=L, LOCKN and HTPDN are both open drain outputs from THCV234. Pull-up resistors are needed at THCV233 side to 3.3V. See Figure 9.

If THCV234 is not active (power down mode (PDN[0]=L) or powered off), HTPDN is open. Otherwise, HTPDN is pulled down by THCV234.

HTPDN of THCV233 side is high when THCV234 is not active or the receiver board is not connected. Then THCV233 enters into the power down mode. When HTPDN transits from High to Low, THCV233 starts up and transmits training pattern for link training.

LOCKN indicates whether THCV234 is in the lock state or not. If THCV234 is in the unlock state, LOCKN is open. Otherwise (in the lock state), it's pulled down by THCV234.

THCV233 keeps transmitting training pattern until LOCKN transits to Low. After training done, THCV234 sinks current and LOCKN is Low. Then THCV233 starts transmitting normal video pattern.

When IOSEL=H, equivalent training processes are driven by Sub-Link.

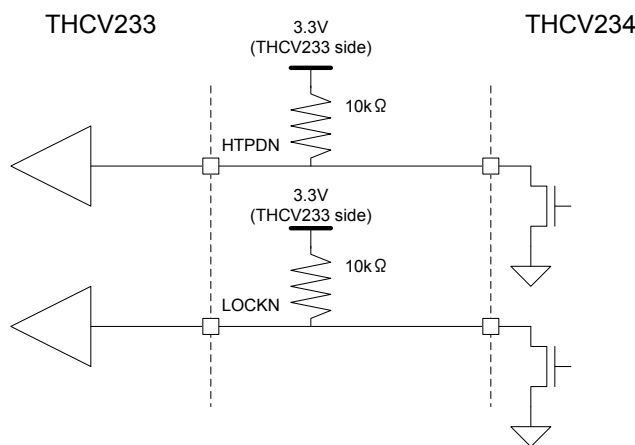


Figure 9 Hot-plug and Lock Detect Scheme

No HTPDN connection option

Even when IOSEL=L, HTPDN connection between THCV233 and THCV234 can be omitted as an application option. In this case, HTPDN at the Transmitter side should always be taken as Low. See Figure 10.

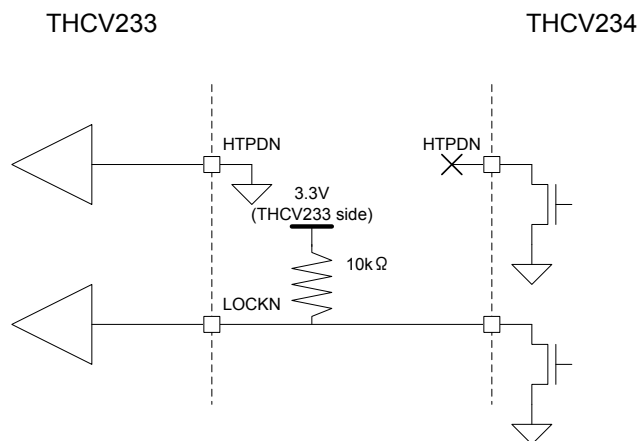


Figure 10 HTPDN is not Connected Scheme

THCV233 Pre-emphasis function (PRE)

Pre-emphasis can equalize severe signal degradation caused by long distance or high-speed transmission. PRE, select the strength of pre-emphasis.

Table 16 Pre-emphasis function table

PRE	Description
L	without Pre-emphasis
H	with 100% Pre-emphasis

Field BET Operation

In order to help users to check validity of high speed serial lines (Main-link), THCV233/THCV234 has an operation mode in which they act as a bit error tester (BET). In this mode, THCV233 internally generates test pattern which is then serialized onto the Main-link. THCV234 receives the data stream and checks bit errors.

This "Field BET" mode is activated by setting BET= H both on THCV233 and THCV234. Pattern Generator CLK is from LVDS-CLK and the pattern is then 8b/10b encoded, scrambled, and serialized onto the Main-link. As for THCV234, the internal test pattern check circuit gets enabled and reports result on ALNOUT pin. The ALNOUT pin goes LOW whenever bit errors occur, or it stays HIGH when there is no bit error. Please refer to Figure 11. User can select 2 kinds of check result, "Latched-result" or "NOT latched result". The latch is reset by setting RS=L.

Table 17 THCV233-234 Field BET operation pin settings

THCV233	THCV234		Condition	
BET	BET	RS	Operation	Output Latch select
L	L	-	Normal Operation	-
H	H	L	FieldBET Operation	NOT latched result
H	H	H		Latched result

Table 18 THCV234 Field BET result

ALNOUT	Output
L	Bit error occurred
H	No error

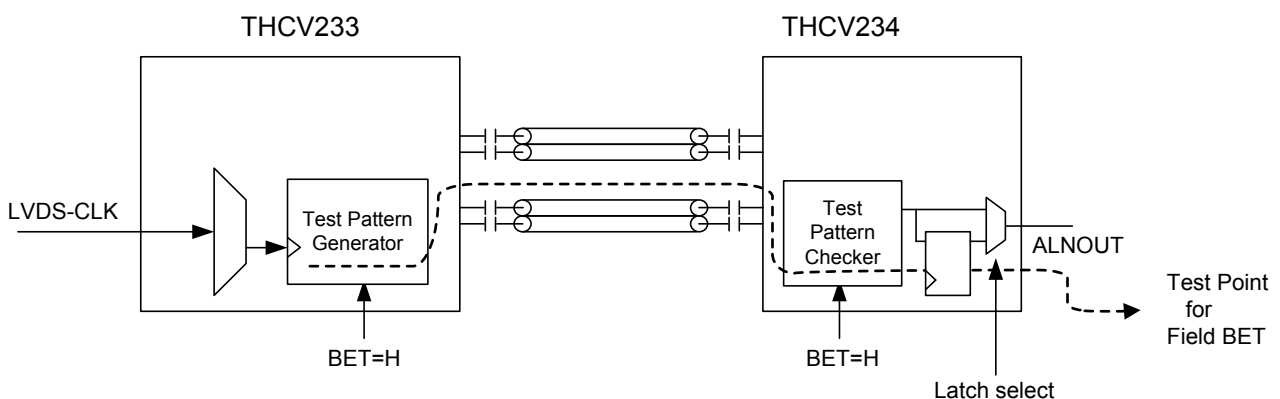


Figure 11 Field BET Configuration

9. Absolute Maximum Ratings*

Table 19 THC233 Absolute Maximum Ratings

Parameter	Symbol	Min.	Typ.	Max.	Units
1.8v Supply Voltage (CAVDL,CPVDL,VDD)	VDL	-0.3	-	+2.1	V
3.3v Supply Voltage(LAVDH)	VDH	-0.3	-	+4.0	V
CMOS Input Voltage	-	-0.3	-	VDH+0.3	V
CMOS Bi-directional buffer Input / Output Voltage	-	-0.3	-	3.6	V
LVDS Receiver Input Voltage	-	-0.3	-	VDH+0.3	V
CML Transmitter Output Voltage	-	-0.3	-	VDL+0.3	V
CML Bi-directional buffer Input / Output Voltage	-	-0.3	-	VDL+0.3	V
Output Current	-	-50	-	50	mA
Storage Temperature	-	-55	-	+125	°C
Junction Temperature	-	-	-	+125	°C
Reflow Peak Temperature/Time	-	-	-	+260/10sec	°C
Maximum Power Dissipation @ +25°C	-	-	-	3.2	W

Table 20 THC234 Absolute Maximum Ratings

Parameter	Symbol	Min.	Typ.	Max.	Units
1.8v Supply Voltage(CAVDL,VDD)	VDL	-0.3	-	+2.1	V
3.3v Supply Voltage(LAVDH)	VDH	-0.3	-	+4.0	V
CMOS Input Voltage	-	-0.3	-	VDH+0.3	V
CMOS Bi-directional buffer Input / Output Voltage	-	-0.3	-	3.6	V
CML Receiver Input Voltage	-	-0.3	-	VDL+0.3	V
CML Bi-directional buffer Input / Output Voltage	-	-0.3	-	VDL+0.3	V
LVDS Transmitter Output Voltage	-	-0.3	-	VDH+0.3	V
Output Current	-	-30	-	30	mA
Storage Temperature	-	-55	-	+125	°C
Junction Temperature	-	-	-	+125	°C
Reflow Peak Temperature/Time	-	-	-	+260/10sec	°C
Maximum Power Dissipation @ +25°C	-	-	-	3.2	W

* “Absolute Maximum Ratings” are those values beyond which the safety of the device can not be guaranteed. They are not meant to imply that the device should be operated at these limits. The tables of “Electrical Characteristics” specify conditions for device operation.

10. Operating Conditions

There are two types of operating temperature ranges as shown below.

1. From 0°C to 70°C
2. From -40°C to 105°C

Details are shown in the table below.

Table 21 THCV233 Operating Conditions (0°C≤TMP≤70°C)

Parameter	Symbol	Min.	Typ.	Max.	Units
1.8v Supply Voltage (CAVDL,CPVDL,VDD)	VDL	1.62	1.80	1.98	V
3.3v Supply Voltage(LAVDH)	VDH	3.00	3.30	3.60	V
Operating Temperature	TMP	0	-	70	°C

Table 22 THCV233 Operating Conditions (-40°C≤TMP≤105°C)

Parameter	Symbol	Min.	Typ.	Max.	Units
1.8v Supply Voltage (CAVDL,CPVDL,VDD)	VDL	1.62 or 1.70 ⁽¹⁾	1.80	1.98	V
3.3v Supply Voltage(LAVDH)	VDH	3.00	3.30	3.60	V
Operating Temperature	TMP	-40	-	105	°C

Table 23 THCV234 Operating Conditions (0°C≤TMP≤70°C)

Parameter	Symbol	Min.	Typ.	Max.	Units
1.8v Supply Voltage (CAVDL,CPVDL,VDD)	VDL	1.62	1.80	1.98	V
3.3v Supply Voltage(LAVDH)	VDH	3.00	3.30	3.60	V
Operating Temperature	TMP	0	-	70	°C

Table 24 THCV234 Operating Conditions (-40°C≤TMP≤105°C)

Parameter	Symbol	Min.	Typ.	Max.	Units
1.8v Supply Voltage (CAVDL,CPVDL,VDD)	VDL	1.70	1.80	1.98	V
3.3v Supply Voltage(LAVDH)	VDH	3.00	3.30	3.60	V
Operating Temperature	TMP	-40	-	105	°C

(1) Maximum value of LVDS CLK Frequency depends on minimum value of VDL. Please refer to page 1.

11. Electrical Specifications

DC Specifications

Table 25 THCV233 and THCV234 3.3V CMOS DC Specifications

Symbol	Parameter	Conditions	Min.	Typ.	Max.	Units
VIH	High Level Input Voltage	I,B,BO,BPU	2.1	-	VDH	V
VIL	Low Level Input Voltage	I,B,BO,BPU	0	-	0.7	V
VOH	High Level Output Voltage	B IOH=-8mA	2.4	-	VDH	V
VOL	Low Level Output Voltage	B IOL=8mA	-	-	0.4	V
		BO,BPU IOL=4mA	-	-	0.4	V
I _{IH}	Input Leak Current High	VIN=VDH	-10	-	+10	uA
I _{IL}	Input Leak Current Low	VIN=GND	-10	-	+10	uA

Table 26 THCV233 LVDS, CML DC Specifications

Symbol	Parameter	Conditions	Min.	Typ.	Max.	Units
VTTH	LVDS Differential Input High Threshold	-	-	-	100	mV
VTTL	LVDS Differential Input Low Threshold	-	-100	-	-	mV
ITI _H	LVDS Input Leak Current High	TLx+/-=VDH, PDN[0]=L x=A~E,CLK	-	-	±10	uA
ITI _L	LVDS Input Leak Current Low	TLx+/-=GND, PDN[0]=L x=A~E,CLK	-	-	±10	uA
RTIN	LVDS Differential Input Resistance	PDN[0]=L	80	100	120	Ω
VTOD	CML Differential Mode Output Voltage	-	200	300	400	mV
PRE	CML Pre-emphasis Level	PRE=L	-	0	-	%
		PRE=H	80	100	120	%
VTOC	CML Common Mode Output Voltage	PRE=L	VDL-VTOD			mV
		PRE=H	VDL-2×VTOD			mV
ITOH	CML Output Leak Current High	PDN[0]=L	-	-	±10	uA
ITOS	CML Output Short Circuit Current	VDL=1.8V	-90	-	-	mA

Table 27 THCV234 LVDS, CML DC Specifications

Symbol	Parameter	Conditions	Min.	Typ.	Max.	Units
VRTH	CML Differential Input High Threshold	-	-	-	50	mV
VRTL	CML Differential Input Low Threshold	-	-50	-	-	mV
IRI _H	CML Input Leak Current High	PDN[0]=L, RXnP/N=VDL n=0,1	-	-	±10	uA
IRI _L	CML Input Leak Current Low	PDN[0]=L, RXnP/N=GND n=0,1	-	-	±10	uA
IRRI _H	CML Input Current High	RXnP/N=VDL, n=0,1	-	-	2	mA
IRRI _L	CML Input Current Low	RXnP/N=GND, n=0,1	-6	-	-	mA
RRIN	CML Differential Input Resistance	-	80	100	120	Ω
VROD	LVDS Differential Mode Output Voltage (Normal Swing)	RL=100Ω, RS=H	250	350	450	mV
	LVDS Differential Mode Output Voltage (Reduced Swing)	RL=100Ω, RS=L	100	200	300	mV
ΔVROD	Change in VROD between Complementary Output States	RL=100Ω	-	-	35	mV
VROC	LVDS Common Mode Output Voltage	RL=100Ω	1.125	1.25	1.375	V
ΔVROC	Change in VROC between Complementary Output States	RL=100Ω	-	-	35	mV
IROS	LVDS Output Short Circuit Current	RLx+/-=GND	-30	-	-	mA
IROZ	LVDS Output TRI-STATE Current	PDN[0]=L, RLx+/-=GND, VDH x=A~E,CLK	-	-	±10	uA

Table 28 THC233-234 CML Bi-Directional DC Specifications

Symbol	Parameter	Conditions	Min.	Typ.	Max.	Units
VBTH	Bi-Directional Buffer Differential Input High Threshold	-	-	-	175	mV
VBTL	Bi-Directional Buffer Differential Input Low Threshold	-	-175	-	-	mV
VBTC	Bi-Directional Buffer Input Terminated Common Voltage	-	V _{DL} -0.6	-	V _{DL} -0.3	V
VBOD	Bi-Directional Buffer Differential Output Voltage	RLB=390Ω	500	-	800	mV
VBOC	Bi-Directional Buffer Output Voltage	-	V _{DL} -0.6	-	V _{DL} -0.3	V
IBOS	Bi-Directional Buffer Output Short Circuit Current	xCMP/N=V _{DL} , GND	-30	-	-	mA
IBIZ	Bi-Directional Buffer Output Leak Current	PDN=L	-	-	±10	μA
RBIN	Bi-Directional Buffer Differential Input Resistance	-	390	-	550	Ω

Supply Currents

Table 29 THCv233 Supply Currents

Symbol	Parameter	Conditions	Min.	Typ.	Max.	Units
ITCCW	Transmitter Supply Current for VDL Main-Link & Sub-Link are active (Worst Case Pattern as shown in Figure 11)	SiSo 10bit, PRE=H PDN[1:0]=HH	-	-	175	mA
		SiDo 10bit, PRE=H PDN[1:0]=HH	-	-	210	mA
		SiDDo 10bit, PRE=H PDN[1:0]=HH	-	-	250	mA
ITCCW_M	Transmitter Supply Current for VDL Only Main-Link is active (Worst Case Pattern as shown in Figure 11)	SiSo 10bit, PRE=H PDN[1:0]=LH	-	-	150	mA
		SiDo 10bit, PRE=H PDN[1:0]=LH	-	-	185	mA
		SiDDo 10bit, PRE=H PDN[1:0]=LH	-	-	225	mA
ITCCW_S	Transmitter Supply Current for VDL Only Sub-Link is active	PDN[1:0]=HL	-	-	25	mA
ITCCW33	Transmitter Supply Current for VDH Main-Link & Sub-Link are active (Worst Case Pattern as shown in Figure 11)	SiSo 10bit, PRE=H PDN[1:0]=HH	-	-	12	mA
		SiDo 10bit, PRE=H PDN[1:0]=HH	-	-	12	mA
		SiDDo 10bit, PRE=H PDN[1:0]=HH	-	-	12	mA
ITCCW33_M	Transmitter Supply Current for VDH Only Main-Link is active (Worst Case Pattern as shown in Figure 11)	SiSo 10bit, PRE=H PDN[1:0]=LH	-	-	12	mA
		SiDo 10bit, PRE=H PDN[1:0]=LH	-	-	12	mA
		SiDDo 10bit, PRE=H PDN[1:0]=LH	-	-	12	mA
ITCCW33_S	Transmitter Supply Current for VDH Only Sub-Link is active	PDN[1:0]=HL	-	-	1	mA
ITCCS	Transmitter Power Down Supply Current	PDN[1:0]=LL All Inputs =Fixed LorH	-	-	170	uA

Table 30 THCV234 Supply Currents

Symbol	Parameter	Conditions	Min.	Typ.	Max.	Units
IRCCW	Receiver Supply Current for VDL Main-Link & Sub-Link are active (Worst Case Pattern as shown in Figure 11)	SiSo 10bit, PDN[1:0]=HH	-	-	115	mA
		DiSo 10bit, PDN[1:0]=HH	-	-	120	mA
		DiSSo 10bit, PDN[1:0]=HH	-	-	115	mA
IRCCW_M	Receiver Supply Current for VDL Only Main-Link is active (Worst Case Pattern as shown in Figure 11)	SiSo 10bit, PDN[1:0]=LH	-	-	90	mA
		DiSo 10bit, PDN[1:0]=LH	-	-	90	mA
		DiSSo 10bit, PDN[1:0]=LH	-	-	90	mA
IRCCW_S	Receiver Supply Current for VDL Only Sub-Link is active	PDN[1:0]=HL	-	-	25	mA
IRCCW33	Receiver Supply Current for VDH Main-Link & Sub-Link are active (Worst Case Pattern as shown in Figure 11)	SiSo 10bit, PDN[1:0]=HH	-	-	100	mA
		DiSo 10bit, PDN[1:0]=HH	-	-	100	mA
		DiSSo 10bit, PDN[1:0]=HH	-	-	100	mA
IRCCW33_M	Receiver Supply Current for VDH Only Main-Link is active (Worst Case Pattern as shown in Figure 11)	SiSo 10bit, P PDN[1:0]=LH	-	-	90	mA
		DiSo 10bit, PDN[1:0]=LH	-	-	90	mA
		DiSSo 10bit, PDN[1:0]=LH	-	-	90	mA
IRCCW33_S	Receiver Supply Current for VDH Only Sub-Link is active	PDN[1:0]=HL	-	-	5	mA
IRCCS	Receiver Power Down Supply Current	PDN[1:0]=LL All Inputs =Fixed LorH	-	-	150	uA

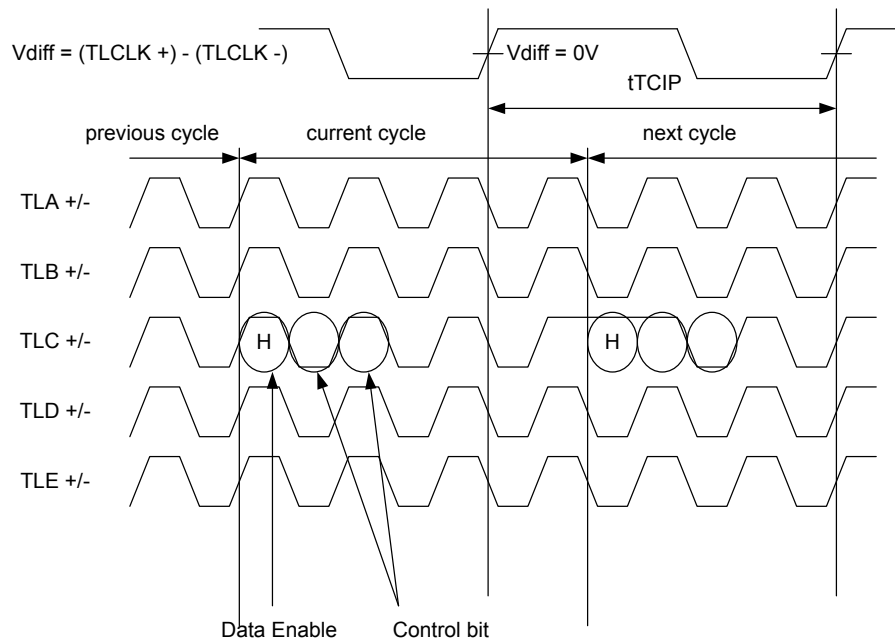


Figure 12 Worst Case Pattern

Switching Characteristics

Table 31 DE requirement

Symbol	Parameter	Conditions	Min.	Typ.	Max.	Units
tDEH	DE=High Duration	-	2×tTCIP	-	-	sec
tDEL	DE=Low Duration	SiSo, SiDDo	2×tTCIP	-	-	sec
		SiDo	4×tTCIP	-	-	sec

Table 32 THCV233 Switching Characteristics (0°C≤TMP≤70°C)

Symbol	Parameter	Conditions	Min.	Typ.	Max.	Units
tTCIP	TLCLK Period	COL=H, Si/So	10	-	111	ns
		COL=H, Si/DDo	10	-	50	ns
		COL=H, Si/Do	10	-	25	ns
		COL=L, Si/So	11.76	-	111	ns
		COL=L, Si/DDo	11.76	-	50	ns
		COL=L, Si/Do	11.76	-	25	ns
tTCIH	LVDS Differential Clock High Time	-	2×tTCIP/7	4×tTCIP/7	5×tTCIP/7	ns
tTCIL	LVDS Differential Clock Low Time	-	2×tTCIP/7	3×tTCIP/7	5×tTCIP/7	ns
tSK	LVDS Receiver Skew Margin	tTCIP=75MHz	-440 ⁽¹⁾	-	440 ⁽¹⁾	ps
		tTCIP=85MHz	-390 ⁽¹⁾	-	390 ⁽¹⁾	ps
		tTCIP=100MHz	-330 ⁽¹⁾	-	330 ⁽¹⁾	ps
tTIP1	LVDS Input Data Position1	-	-tSK	0	+tSK	ns
tTIP0	LVDS Input Data Position0	-	tTCIP/7-tSK	tTCIP/7	tTCIP/7+tSK	ns
tTIP6	LVDS Input Data Position2	-	2×tTCIP/7-tSK	2×tTCIP/7	2×tTCIP/7+tSK	ns
tTIP5	LVDS Input Data Position3	-	3×tTCIP/7-tSK	3×tTCIP/7	3×tTCIP/7+tSK	ns
tTIP4	LVDS Input Data Position4	-	4×tTCIP/7-tSK	4×tTCIP/7	4×tTCIP/7+tSK	ns
tTIP3	LVDS Input Data Position5	-	5×tTCIP/7-tSK	5×tTCIP/7	5×tTCIP/7+tSK	ns
tTIP2	LVDS Input Data Position6	-	6×tTCIP/7-tSK	6×tTCIP/7	6×tTCIP/7+tSK	ns
tALN	LVDS-ALNIN timing tolerance	-	0	-	3×tTCIP/7	ns
tTRF	CML Output Rise and Fall Time(20%-80%)	-	50	-	150	ps
tTOSK	CML Lane0/1 Output Inter Pair Skew	-	-2	-	2	UI
tTCD	Input Clock to Output Data Delay	SiDDo 10bit 85MHz	143.4	-	150.2	ns
tTLH	VDL On to VDH On Delay	-	0	-	-	ns
tTPD	Power On to PDN High Delay	-	0	-	-	ns
tTPDL	PDN Low Pulse Width	-	1	-	-	ms
tTPLL0	PDN High to CML Output Delay	-	-	-	10	ms
tTPLL1	PDN Low to CML Output High Fix Delay	-	-	-	20	ns
tTNP0	LOCKN High to Training Pattern Output Delay	-	-	-	10	ms
tTNP1	LOCKN Low to Data Pattern Output Delay	-	-	-	10	ms

Table 33 THCV233 Switching Characteristics (-40°C≤TMP≤105°C)

Symbol	Parameter	Conditions	Min.	Typ.	Max.	Units
tTCIP	TLCLK Period	COL=H, Si/So	10	-	111	ns
		COL=H, Si/DDo	10	-	50	ns
		COL=H, Si/Do	10	-	25	ns
		COL=L, Si/So VDL=1.62V~1.98V	13.33	-	111	ns
		COL=L, Si/DDo VDL=1.62V~1.98V	13.33	-	50	ns
		COL=L, Si/Do VDL=1.62V~1.98V	13.33	-	25	ns
		COL=L, Si/So VDL=1.7V~1.98V	12.35	-	111	ns
		COL=L, Si/DDo VDL=1.7V~1.98V	12.35	-	50	ns
		COL=L, Si/Do VDL=1.7V~1.98V	12.35	-	25	ns
		tTCIH	LVDS Differential Clock High Time	-	2×tTCIP/7	4×tTCIP/7
tTCIL	LVDS Differential Clock Low Time	-	2×tTCIP/7	3×tTCIP/7	5×tTCIP/7	ns
tSK	LVDS Receiver Skew Margin	tTCIP=75MHz	-440 ⁽¹⁾	-	440 ⁽¹⁾	ps
		tTCIP=85MHz	-390 ⁽¹⁾	-	390 ⁽¹⁾	ps
		tTCIP=100MHz	-330 ⁽¹⁾	-	330 ⁽¹⁾	ps
tTIP1	LVDS Input Data Position1	-	-tSK	0	+tSK	ns
tTIP0	LVDS Input Data Position0	-	tTCIP/7-tSK	tTCIP/7	tTCIP/7+tSK	ns
tTIP6	LVDS Input Data Position2	-	2×tTCIP/7-tSK	2×tTCIP/7	2×tTCIP/7+tSK	ns
tTIP5	LVDS Input Data Position3	-	3×tTCIP/7-tSK	3×tTCIP/7	3×tTCIP/7+tSK	ns
tTIP4	LVDS Input Data Position4	-	4×tTCIP/7-tSK	4×tTCIP/7	4×tTCIP/7+tSK	ns
tTIP3	LVDS Input Data Position5	-	5×tTCIP/7-tSK	5×tTCIP/7	5×tTCIP/7+tSK	ns
tTIP2	LVDS Input Data Position6	-	6×tTCIP/7-tSK	6×tTCIP/7	6×tTCIP/7+tSK	ns
tALN	LVDS-ALNIN timing tolerance	-	0	-	3tTCIP/7	ns
tTRF	CML Output Rise and Fall Time(20%-80%)	-	50	-	150	ps
tTOSK	CML Lane0/1 Output Inter Pair Skew	-	-2	-	2	UI
tTCD	Input Clock to Output Data Delay	SiDDo 10bit 85MHz	143.4	-	150.2	ns
tTLH	VDL On to VDH On Delay	-	0	-	-	ns
tTPD	Power On to PDN High Delay	-	0	-	-	ns
tTPDL	PDN Low Pulse Width	-	1	-	-	ms
tTPLL0	PDN High to CML Output Delay	-	-	-	10	ms
tTPLL1	PDN Low to CML Output High Fix Delay	-	-	-	20	ns
tTNP0	LOCKN High to Training Pattern Output Delay	-	-	-	10	ms
tTNP1	LOCKN Low to Data Pattern Output Delay	-	-	-	10	ms

Table 34 THCV234 Switching Characteristics ($0^{\circ}\text{C}\leq\text{TMP}\leq 70^{\circ}\text{C}$)

Symbol	Parameter	Conditions	Min.	Typ.	Max.	Units
tRBIT	Unit Interval	COL=H	333	tTCIP/30	3704	ps
		COL=L	294	tTCIP/40	2778	ps
tRISK	CML Lane0/1 Input Inter Pair Skew Margin	-	-	-	15	UI
tRLVT	LVDS Differential Output Transition Time	-	-	0.6	1.5	ns
tROP1	LVDS Output Data Position1	SiSo 10bit 85MHz	-0.2	0	0.2	ns
tROP0	LVDS Output Data Position0	SiSo 10bit 85MHz	tTCIP/7-0.2	tTCIP/7	tTCIP/7+0.2	ns
tROP6	LVDS Output Data Position6	SiSo 10bit 85MHz	2×tTCIP/7-0.2	2×tTCIP/7	2×tTCIP/7+0.2	ns
tROP5	LVDS Output Data Position5	SiSo 10bit 85MHz	3×tTCIP/7-0.2	3×tTCIP/7	3×tTCIP/7+0.2	ns
tROP4	LVDS Output Data Position4	SiSo 10bit 85MHz	4×tTCIP/7-0.2	4×tTCIP/7	4×tTCIP/7+0.2	ns
tROP3	LVDS Output Data Position3	SiSo 10bit 85MHz	5×tTCIP/7-0.2	5×tTCIP/7	5×tTCIP/7+0.2	ns
tROP2	LVDS Output Data Position2	SiSo 10bit 85MHz	6×tTCIP/7-0.2	6×tTCIP/7	6×tTCIP/7+0.2	ns
tRALN	LVDS-ALNOUT timing accuracy	-	-	2×tTCIP/7	8×tTCIP/7	ns
tRDC	Input Data to Output Clock Delay	SiSo 10bit	808×tRBIT+8	-	808×tRBIT+14.5	ns
tRLH	VDL On to VDH On Delay	-	0	-	-	ns
tRPD	Power On to PDN High Delay	-	0	-	-	ns
tRPDL	PDN Low Pulse Width	-	1.0	-	-	ms
tRHPD0	PDN High to HTPDN Low Delay	-	-	-	1	us
tRHPD1	PDN Low to HTPDN High Delay	-	-	-	1	us
tRPLL0	Training Pattern Input to LOCKN Low Delay	-	-	-	10	ms
tRPLL1	PDN Low to LOCKN High Delay	-	-	-	10	us
tRLCK0	LOCKN Low to LVDS Output Delay	-	-	-	1	ms
tRLCK1	LOCKN High to LVDS HighZ Delay	-	-	-	0	ns

Table 35 THCV234 Switching Characteristics ($-40^{\circ}\text{C}\leq\text{TMP}\leq 105^{\circ}\text{C}$)

Symbol	Parameter	Conditions	Min.	Typ.	Max.	Units
tRBIT	Unit Interval	COL=H	351	tTCIP/30	3704	ps
		COL=L	351	tTCIP/40	2778	ps
tRISK	CML Lane0/1 Input Inter Pair Skew Margin	-	-	-	15	UI
tRLVT	LVDS Differential Output Transition Time	-	-	0.6	1.5	ns
tROP1	LVDS Output Data Position1	SiSo 10bit 85MHz	-0.2	0	0.2	ns
tROP0	LVDS Output Data Position0	SiSo 10bit 85MHz	tTCIP/7-0.2	tTCIP/7	tTCIP/7+0.2	ns
tROP6	LVDS Output Data Position6	SiSo 10bit 85MHz	2×tTCIP/7-0.2	2×tTCIP/7	2×tTCIP/7+0.2	ns
tROP5	LVDS Output Data Position5	SiSo 10bit 85MHz	3×tTCIP/7-0.2	3×tTCIP/7	3×tTCIP/7+0.2	ns
tROP4	LVDS Output Data Position4	SiSo 10bit 85MHz	4×tTCIP/7-0.2	4×tTCIP/7	4×tTCIP/7+0.2	ns
tROP3	LVDS Output Data Position3	SiSo 10bit 85MHz	5×tTCIP/7-0.2	5×tTCIP/7	5×tTCIP/7+0.2	ns
tROP2	LVDS Output Data Position2	SiSo 10bit 85MHz	6×tTCIP/7-0.2	6×tTCIP/7	6×tTCIP/7+0.2	ns
tRALN	LVDS-ALNOUT timing accuracy	-	-	2×tTCIP/7	8×tTCIP/7	ns
tRDC	Input Data to Output Clock Delay	SiSo 10bit	808×tRBIT+8	-	808×tRBIT+14.5	ns
tRLH	VDL On to VDH On Delay	-	0	-	-	ns
tRPD	Power On to PDN High Delay	-	0	-	-	ns
tRPDL	PDN Low Pulse Width	-	1.0	-	-	ms
tRHPD0	PDN High to HTPDN Low Delay	-	-	-	1	us
tRHPD1	PDN Low to HTPDN High Delay	-	-	-	1	us
tRPLL0	Training Pattern Input to LOCKN Low Delay	-	-	-	10	ms
tRPLL1	PDN Low to LOCKN High Delay	-	-	-	10	us
tRLCK0	LOCKN Low to LVDS Output Delay	-	-	-	1	ms
tRLCK1	LOCKN High to LVDS HighZ Delay	-	-	-	0	ns

Table 36 THCV233-234 CML Bi-Directional Switching Characteristics

Symbol	Parameter	Conditions	Min.	Typ.	Max.	Units
tBUI	Bi-Directional Buffer Unit Interval	-	80	100	120	ns
tBRF	Bi-Directional Buffer Rise and Fall Time(20%-80%)	-	150	-	500	ps
tBPJTX	Bi-Directional Buffer Transmitter Period Jitter Accuracy (peak to peak)	-	-	-	1	ns
tBPJRX	Bi-Directional Buffer Receiver Period Jitter Tolerance (peak to peak)	-	8	-	-	ns

12. AC Timing Diagrams and Test Circuits

LVDS Input Switching Characteristics

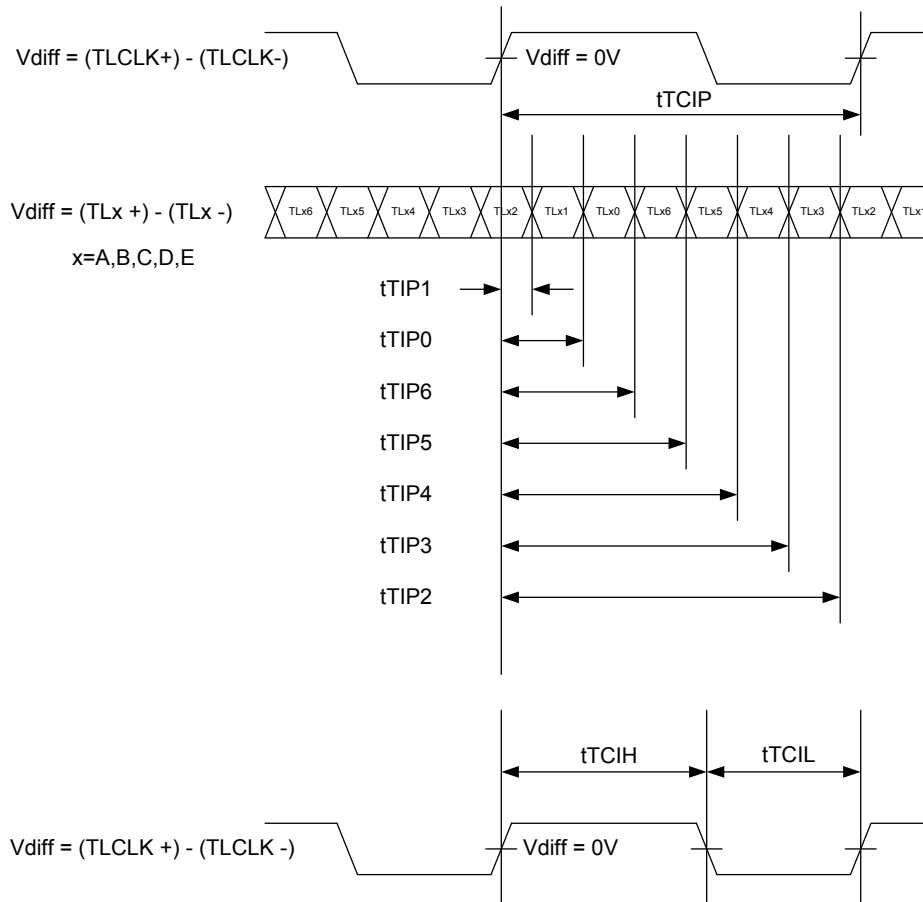


Figure 13 LVDS Input Switching Timing Diagrams

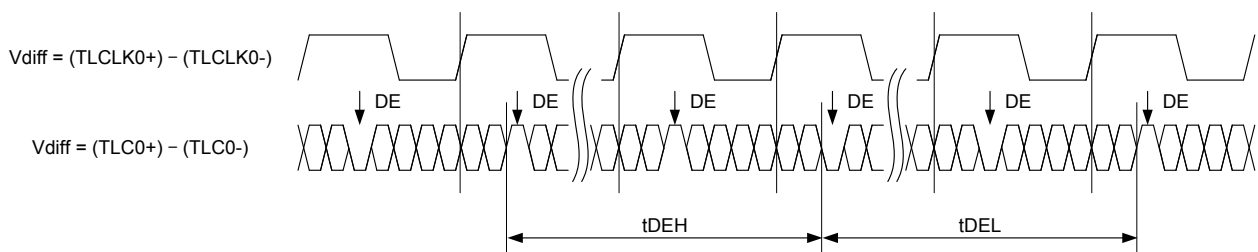


Figure 14 DE period requirement

LVDS Output Switching Characteristics

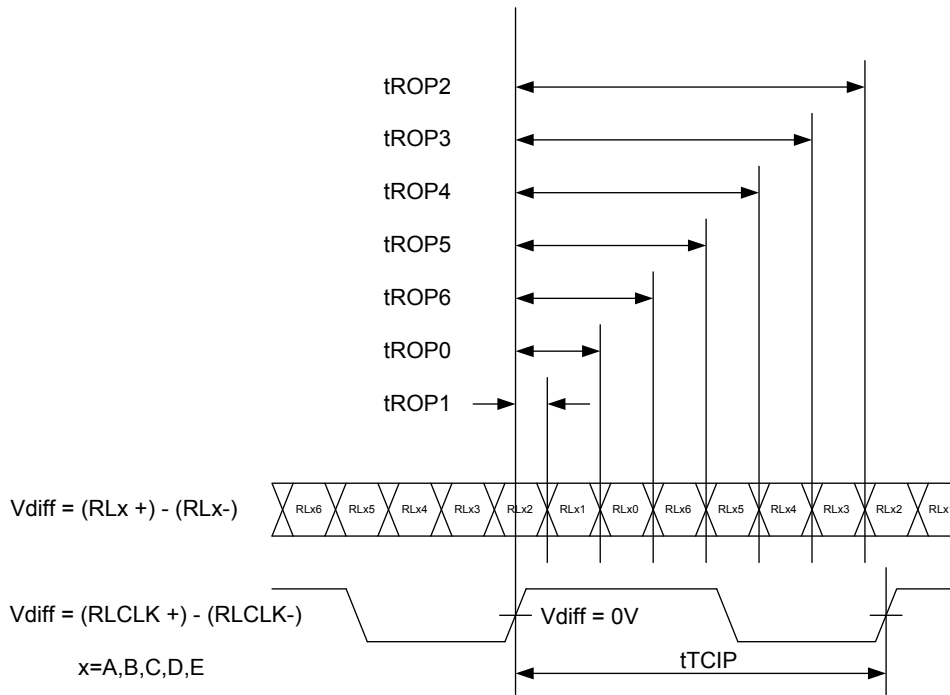


Figure 15 LVDS Output Switching Timing Diagrams

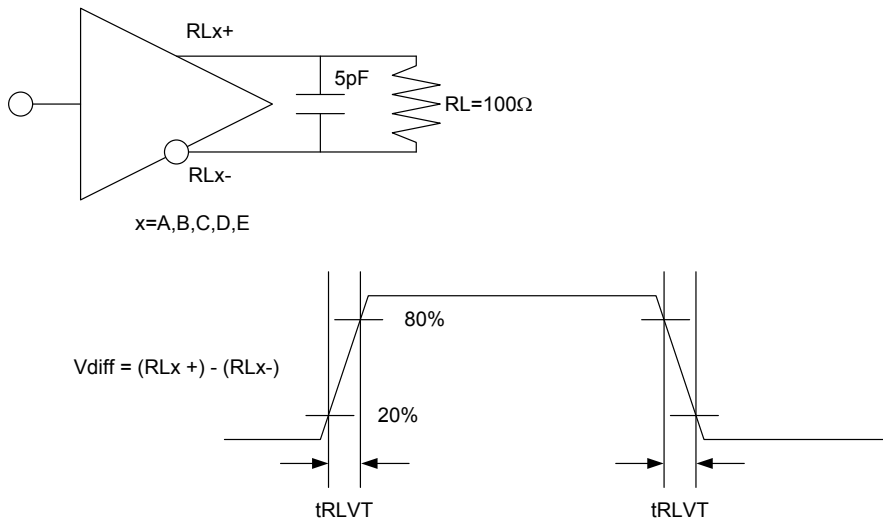


Figure 16 LVDS Output Switching Timing Diagram and Test Circuit.

CML Output Switching Characteristics

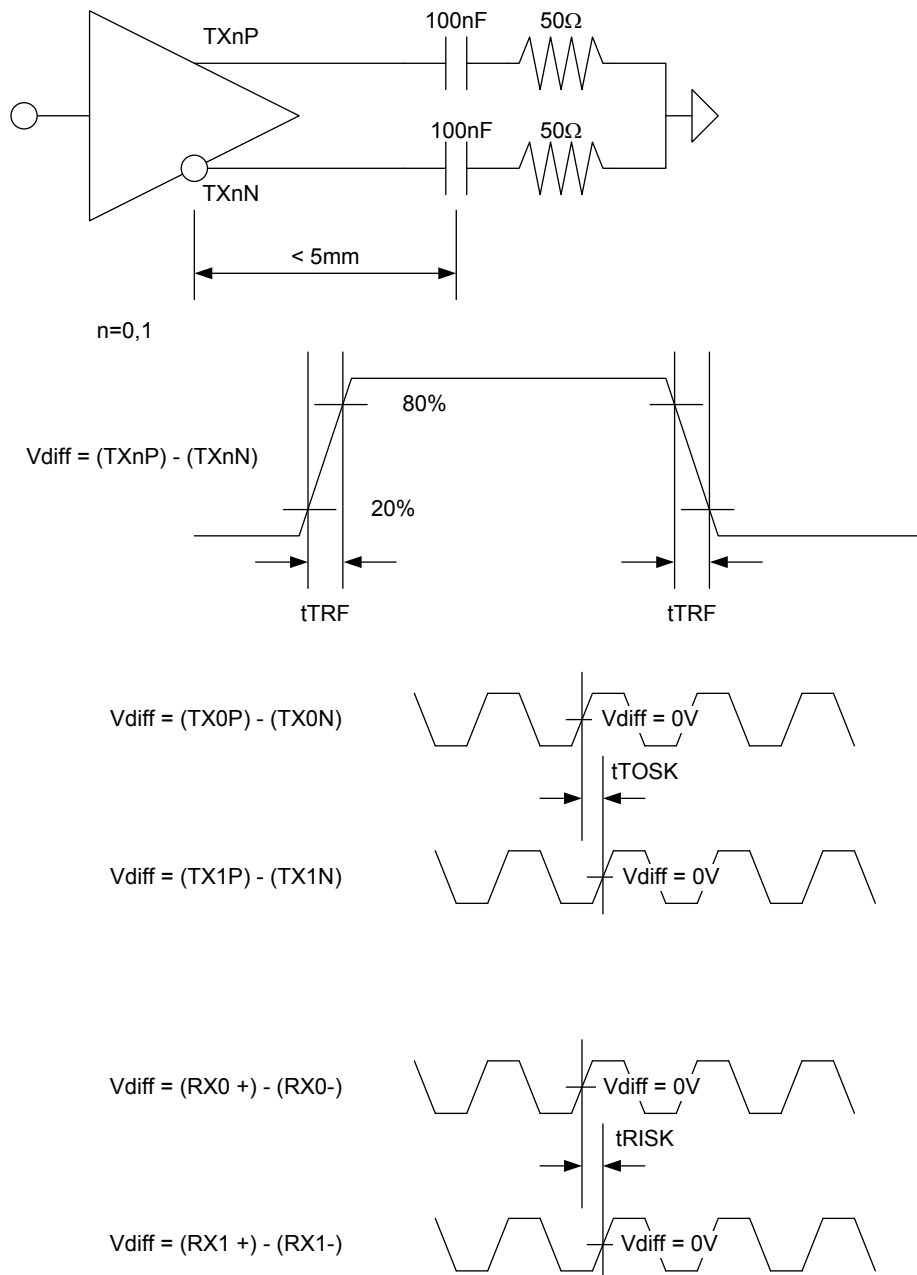


Figure 17 High-Speed CML Output Switching Timing Diagrams and Test Circuit

CML Bi-directional Output Switching Characteristics

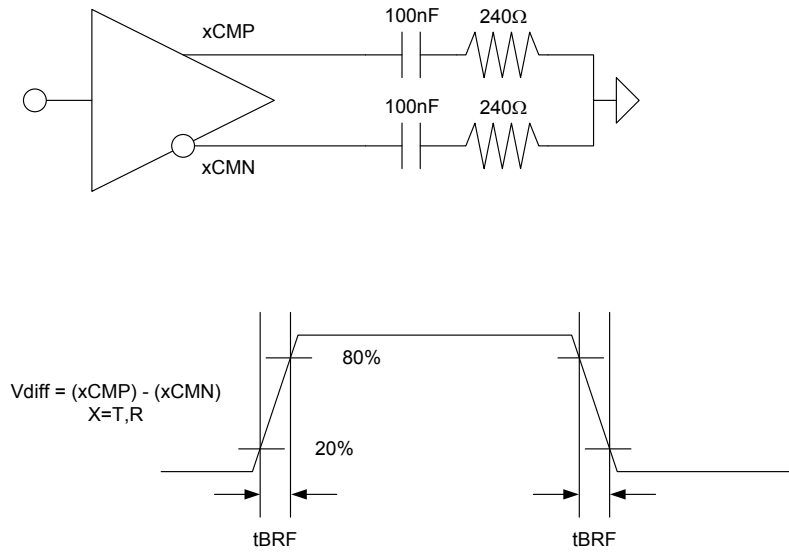


Figure 18 Bi-directional CML Switching Timing Diagrams and Test Circuit

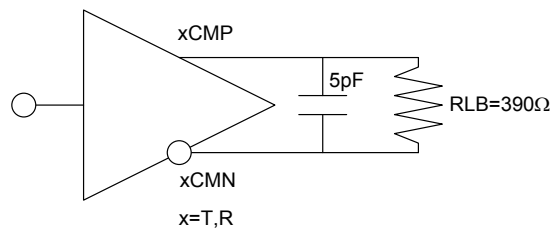


Figure 19 Bi-directional CML VBOD/VBOC Test Circuit

Latency Characteristics

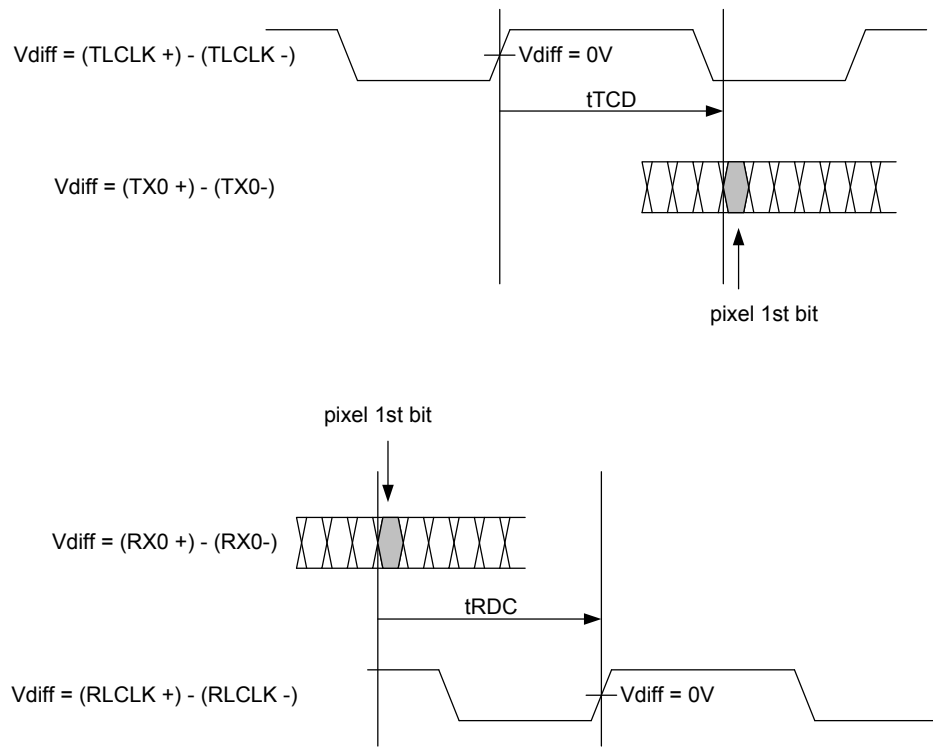


Figure 20 THCV233 and THCV234 Latency

Lock and Unlock Sequence

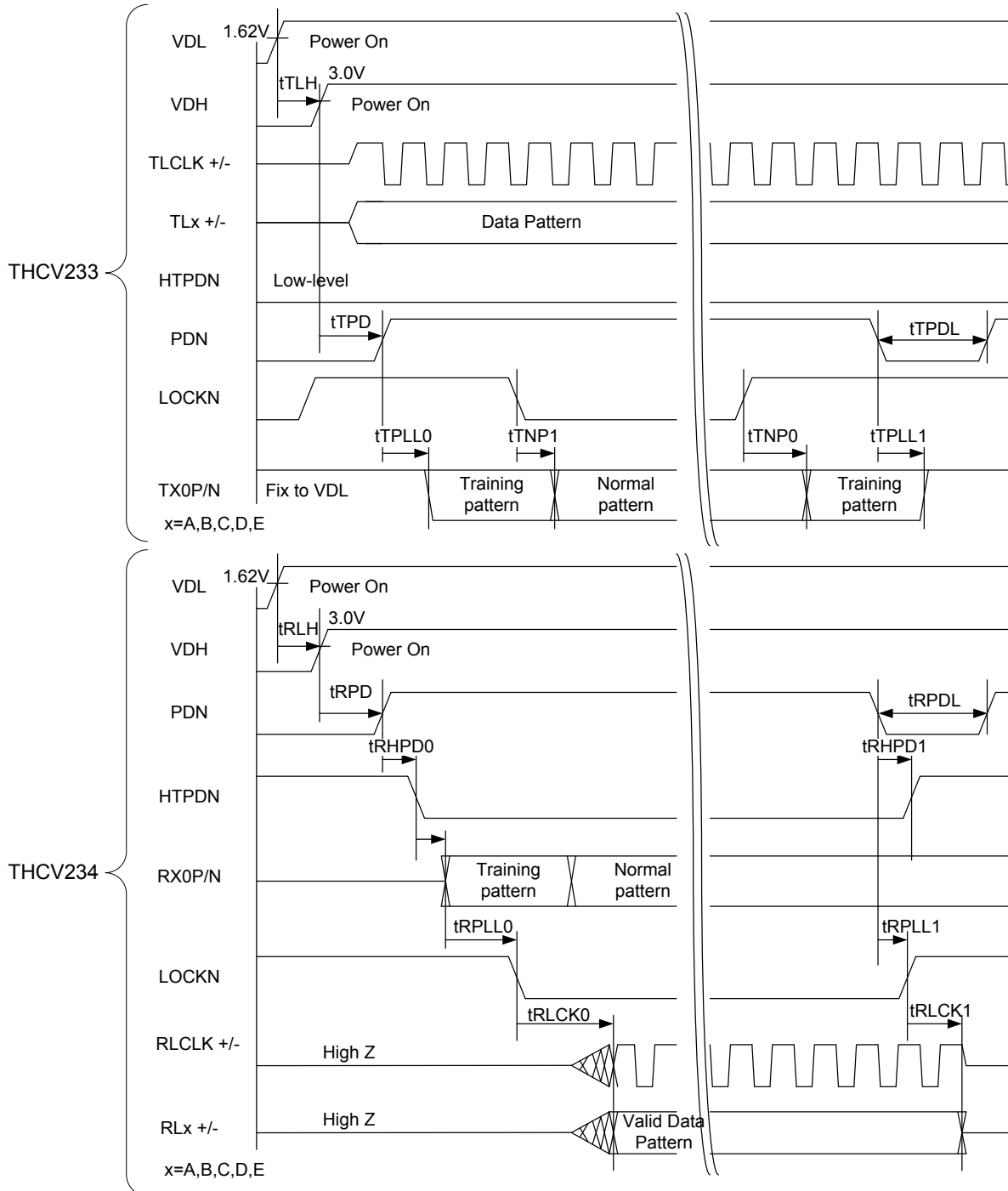


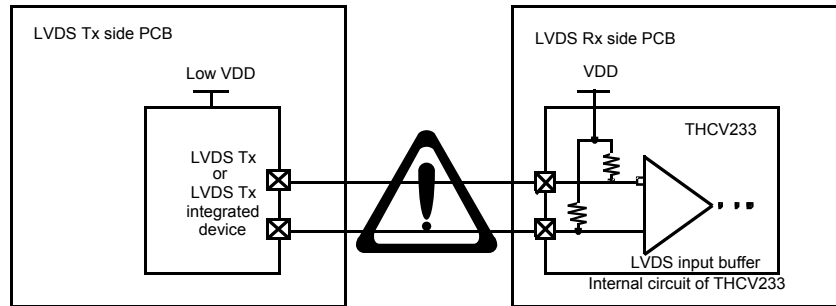
Figure 21 THCv233 and THCv234 Lock/Unlock Sequence

VDH must not precedes VDL, while tTLH and tRLH min. is 0sec; therefore, VDL/H can be at the same time. tTPD and tRPD minimum is 0sec; therefore, PDN can be applied at the same time as VDL and VDH. tTPLL0 is the time from “both PDN=High and HTPDN=Low“ moment to Training pattern ignition. HTPDN could transit from High to Low under PDN=High condition at THCv233, which is different from what Figure 21 indicates but is natural situation.

Note

1) LVDS input pin connection

When LVDS line is not driven from the previous device, the line is pulled up to 3.3V internally in THCV233. This can cause violation of absolute maximum ratings to the previous LVDS Tx device whose operating condition is lower voltage power supply than 3.3V. This phenomenon may happen at power on phase of the whole system including THCV233. One solution for this problem is PDN[0]=L control during no LVDS input period because pull-up resistors are cut off at power down state.



2) Power On Sequence

Do not apply VDH before VDL. VDL and VDH can be applied at the same time.

3) Data Input Sequence

Don't input TLCLK+/- before THCV233 is on in order to keep absolute maximum ratings.

4) Cable Connection and Disconnection

Don't connect and disconnect the LVDS cable, when the power is supplied to the system.

5) GND Connection

Connect the each GND of the PCB which Transmitter, Receiver and THCV215 on it.
It is better for EMI reduction to place GND cable as close to LVDS cable as possible.

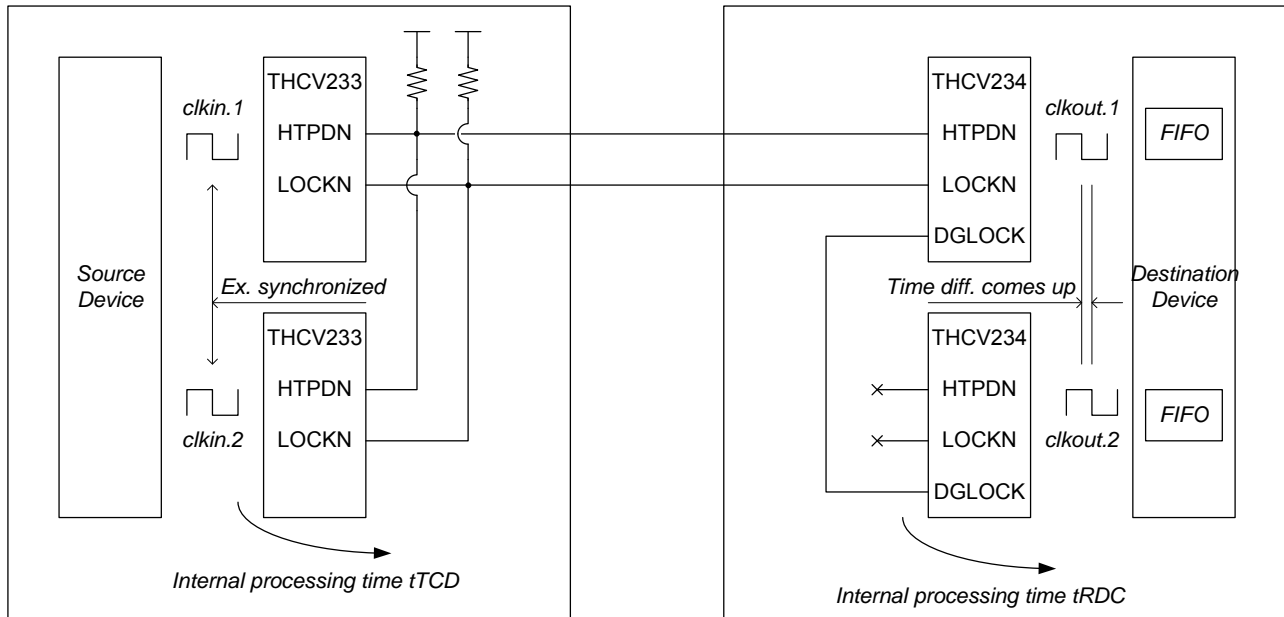
6) Low Input Pulse into PDN[1:0] Period Requirement

Don't Input Low Pulse within 1msec into PDN[1:0].

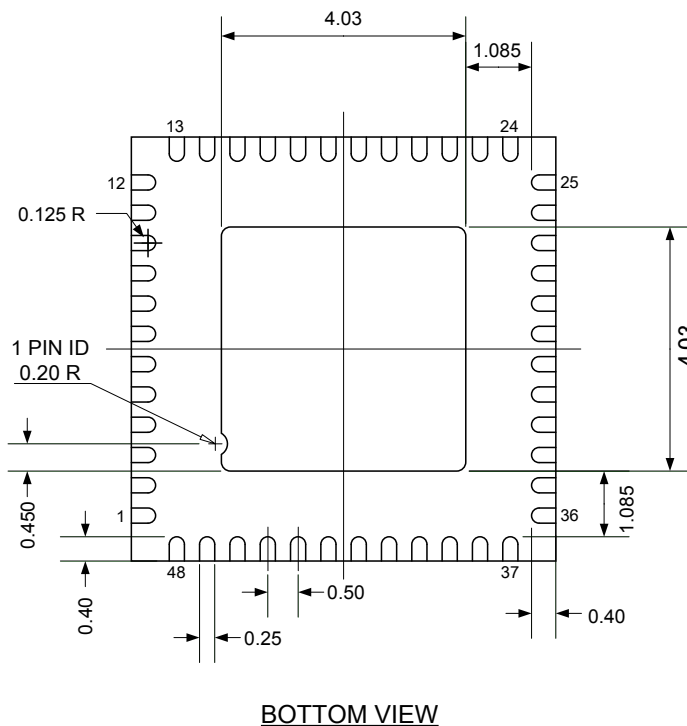
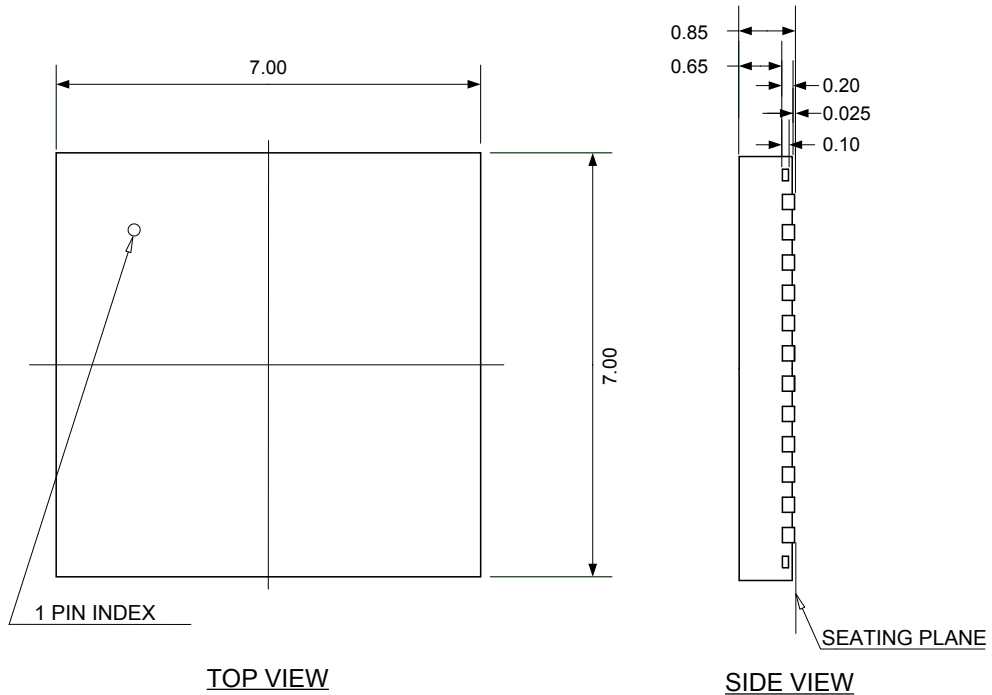
7) Multiple device connection

HTPDN and LOCKN signals are supposed to be connected proper for their purpose like the following figure. HTPDN should be from just one Rx to multiple Tx because its purpose is only ignition of all Tx. LOCKN should be connected so as to indicate that all Rx CDR become ready to receive normal operation data. LOCKN of Tx side can be simply split to multiple Tx. THCV234 DGLOCK connection is appropriate for multiple Rx use.

Also possible time difference of internal processing time (p.26 THCV233 t_{TCD} and p.27 THCV234 t_{RDC}) on multiple data stream must be accommodated and compensated by the following destination device connected to multiple THCV234, which may have internal FIFO.



Package



Unit:mm

Exposed PAD is GND and must be soldered to PCB.

Notices and Requests

1. The product specifications described in this material are subject to change without prior notice.
2. The circuit diagrams described in this material are examples of the application which may not always apply to the customer's design. We are not responsible for possible errors and omissions in this material. Please note if errors or omissions should be found in this material, we may not be able to correct them immediately.
3. This material contains our copyright, know-how or other proprietary. Copying or disclosing to third parties the contents of this material without our prior permission is prohibited.
4. Note that if infringement of any third party's industrial ownership should occur by using this product, we will be exempted from the responsibility unless it directly relates to the production process or functions of the product.
5. Product Application
 - 5.1 Application of this product is intended for and limited to the following applications: audio-video device, office automation device, communication device, consumer electronics, smartphone, feature phone, and amusement machine device. This product must not be used for applications that require extremely high-reliability/safety such as aerospace device, traffic device, transportation device, nuclear power control device, combustion chamber device, medical device related to critical care, or any kind of safety device.
 - 5.2 This product is not intended to be used as an automotive part, unless the product is specified as a product conforming to the demands and specifications of ISO/TS16949 ("the Specified Product") in this data sheet. THine Electronics, Inc. ("THine") accepts no liability whatsoever for any product other than the Specified Product for it not conforming to the aforementioned demands and specifications.
 - 5.3 THine accepts liability for demands and specifications of the Specified Product only to the extent that the user and THine have been previously and explicitly agreed to each other.
6. Despite our utmost efforts to improve the quality and reliability of the product, faults will occur with a certain small probability, which is inevitable to a semi-conductor product. Therefore, you are encouraged to have sufficiently redundant or error preventive design applied to the use of the product so as not to have our product cause any social or public damage.
7. Please note that this product is not designed to be radiation-proof.
8. Testing and other quality control techniques are used to this product to the extent THine deems necessary to support warranty for performance of this product. Except where mandated by applicable law or deemed necessary by THine based on the user's request, testing of all functions and performance of the product is not necessarily performed.
9. Customers are asked, if required, to judge by themselves if this product falls under the category of strategic goods under the Foreign Exchange and Foreign Trade Control Law.
10. The product or peripheral parts may be damaged by a surge in voltage over the absolute maximum ratings or malfunction, if pins of the product are shorted by such as foreign substance. The damages may cause a smoking and ignition. Therefore, you are encouraged to implement safety measures by adding protection devices, such as fuses.

CEL Headquarters • 4590 Patrick Henry Drive • Santa Clara, CA 95054 • Tel: (408) 919-2500 • www.cel.com

For a complete list of sales offices, representatives and distributors, visit: www.cel.com/contactus

For a complete list of products, visit: www.cel.com/thine

For inquiries, email us at thine@cel.com