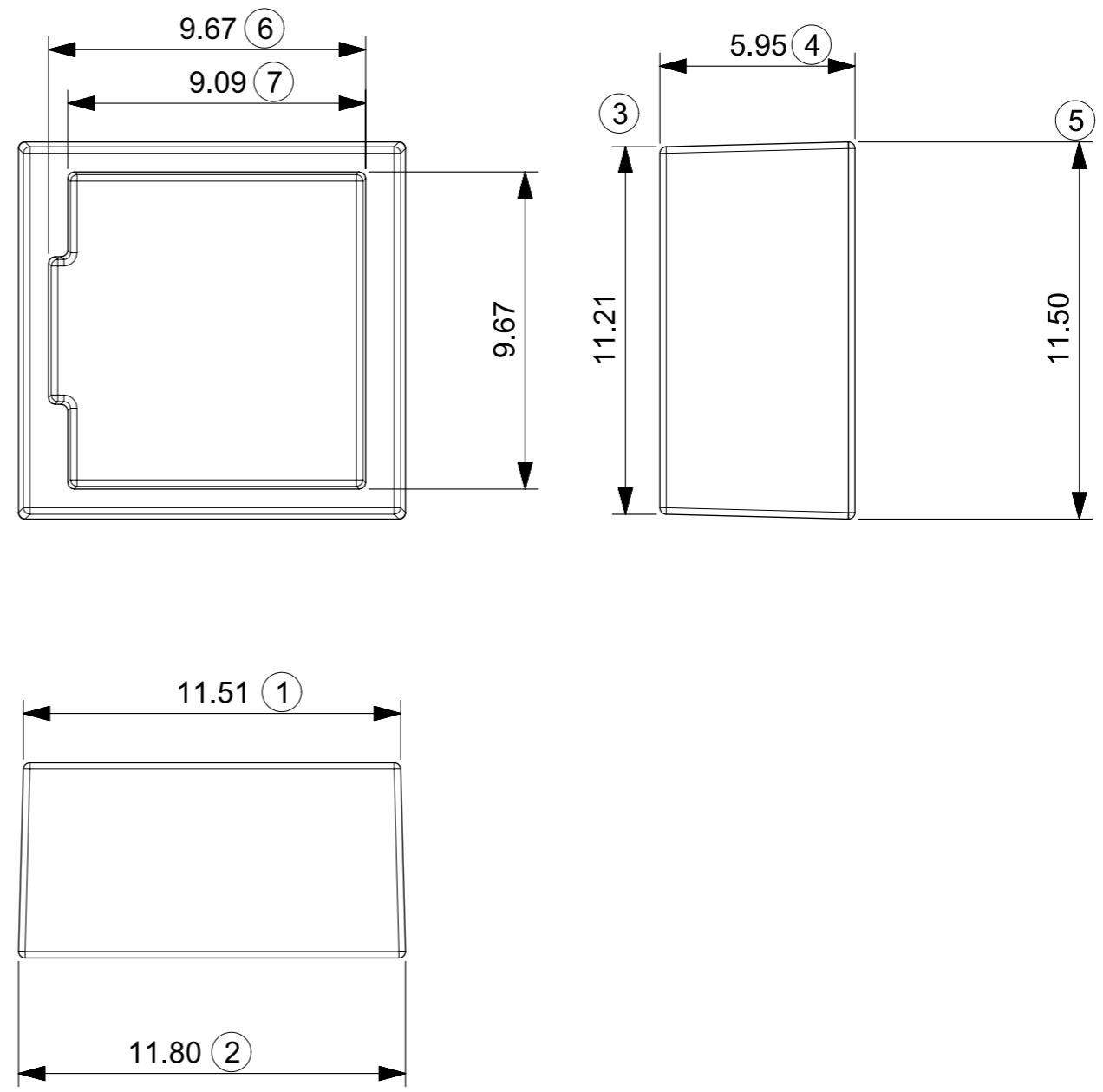
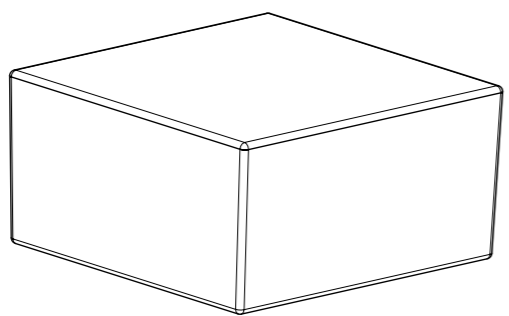


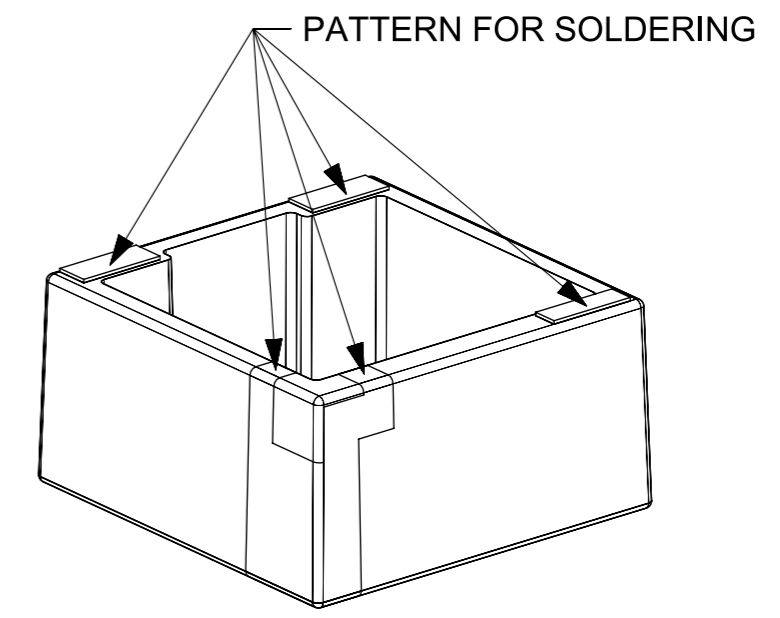
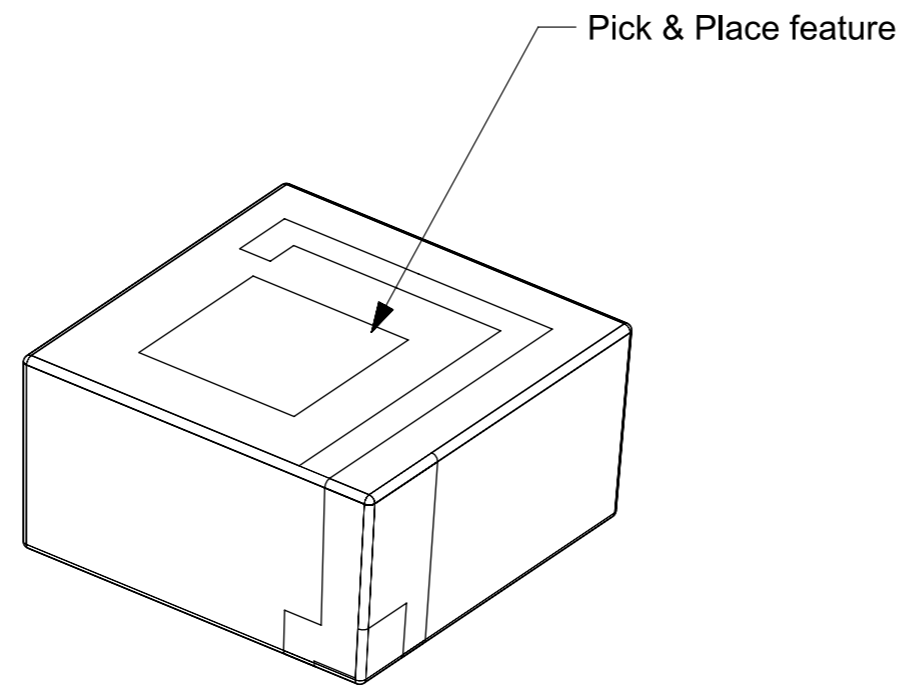
MOLEX					CUSTOMER			DRAWING LOCATION	CHANGE DESCRIPTION	AFFECTED DEPT
DRAWING NO.	REV	ECN NO.	DATA	P/N	P/N	3D REV	2D REV			
SD-146216-001	A	ABU2016-0058	2016/01/18	1462160001				NEW RELEASE		



NOTE:
 1. MATERIAL :LCP-LDS, VECTRA E840ILDS, 40% MINERAL FILLED LASER DIRECT STRUCTURING GRADE,UL94V-0;
 2.GENERAL TOLERANCE :+/-0.05MM
 3.PRODUCT COMPLANT TO ROHS DIERTIVE 2002/95/EC AND ELV DIRECTIVE2000/53/EC

THIS DRAWING CONTAINS INFORMATION THAT IS PROPRIETARY TO MOLEX INCORPORATED AND SHOULD NOT BE USED WITHOUT WRITTEN PERMISSION										
QUALITY SYMBOLS	EC NO. EC NO. 2016/01/18	DRWN: EC DRAWN 2016/01/18	CHK'D: EC CHKD 2016/01/18	APPR: EC APPR 2016/01/18	GENERAL TOLERANCES (UNLESS SPECIFIED)		DIMENSION UNITS	SCALE		
					ANGULAR TOL ± 0.5 °		mm	10:1		
▽ = 0					4 PLACES ± 0.00000		DRWN BY	DATE	HOUSING FOR RHCP GPS	
▽ = 0					3 PLACES ± 0.00000	Zlrao	2016/01/18			
▽ = 0					2 PLACES ± 0.0000		CHK'D BY	DATE	PRODUCT DESIGN DRAWING	
▽ = 0					1 PLACE ± 0.00	Jack Shi	2016/01/18			
▽ = 0					0 PLACES ± 0.00		APPR BY	DATE	SERIES: 146216 MATERIAL NUMBER: 1462160001 CUSTOMER: GENERAL MARKET	
▽ = 0						Chris Yu	2016/01/18			
▽ = 0					DRAFT WHERE APPLICABLE MUST REMAIN WITHIN DIMENSIONS		DRAWING SIZE	THIRD ANGLE PROJECTION	DOCUMENT NUMBER: SD-146216-001 DOC TYPE: XXX DOC PART: XXX SHEET NUMBER: 1 OF 3	
▽ = 0						A3				

RELEASE STATUS	RELEASE DATE
----------------	--------------

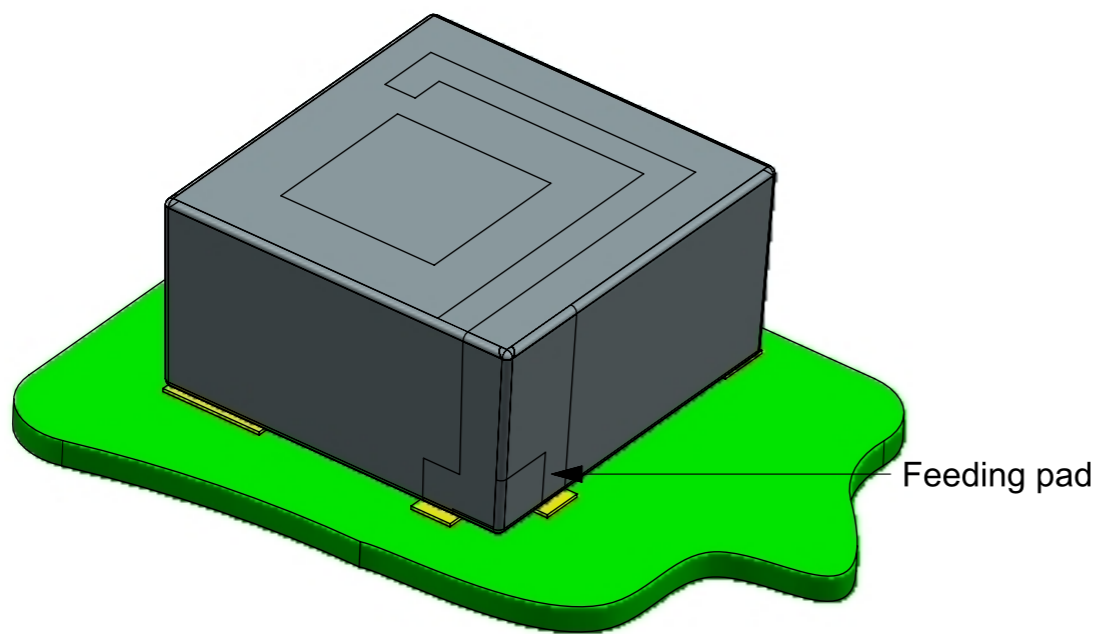


Notes:

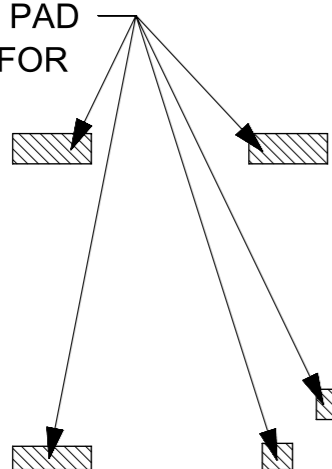
- 1. PLATING SPEC:
 Cu: 12 um MINIMUM;
 Ni: 2um MINIMUM;
 Au : 0.1uM MINIMUM
- 2. OVER FLOWING OF PATTERN PROFILE AFTER
 PLATING:0.03uM MAXIMUM.

THIS DRAWING CONTAINS INFORMATION THAT IS PROPRIETARY TO MOLEX INCORPORATED AND SHOULD NOT BE USED WITHOUT WRITTEN PERMISSION													
QUALITY SYMBOLS ▽ = 0 ▽ = 0 ▽ = 0 ▼ = 0 ▽ = 0 ☒ = 0 ■ = 0 ▽ = 0	EC NO: 2016/01/18		GENERAL TOLERANCES (UNLESS SPECIFIED)		DIMENSION UNITS		SCALE						
	DRWN: 2016/01/18		ANGULAR TOL ± 0.5 °		mm		10:1						
	CHK'D: 2016/01/18		4 PLACES ± 0.00000		DRWN BY		DATE		PATTERN FOR RHCP GPS				
	APP'R: 2016/01/18		3 PLACES ± 0.00000		Zlrao		2016/01/18						
			2 PLACES ± 0.00000		CHK'D BY		DATE						
			1 PLACE ± 0.000		Jack Shi		2016/01/18		PRODUCT DESIGN DRAWING				
			0 PLACES ± 0.000		APP'R BY		DATE						
			DRAFT WHERE APPLICABLE MUST REMAIN WITHIN DIMENSIONS		Chris Yu		2016/01/18		SERIES	MATERIAL NUMBER		CUSTOMER	
					A3		THIRD ANGLE PROJECTION		146216	1462160001		GENERAL MARKET	
									DOCUMENT NUMBER			DOC TYPE	DOC PART
								SD-146216-001			XXX	XXX	2 OF 3

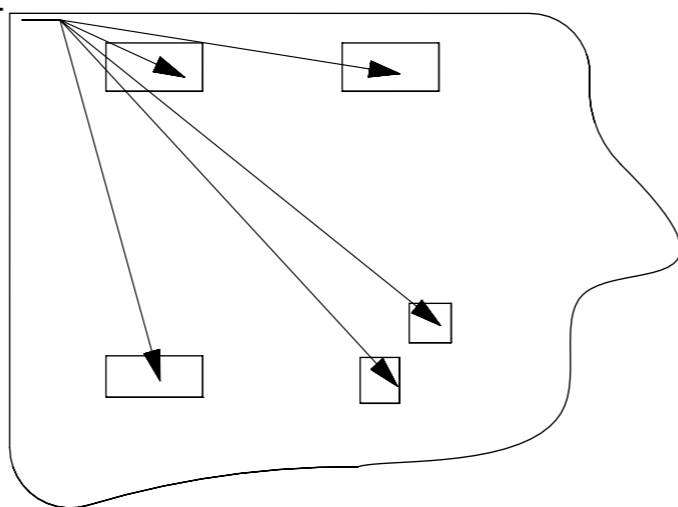
RELEASE STATUS	RELEASE DATE
----------------	--------------



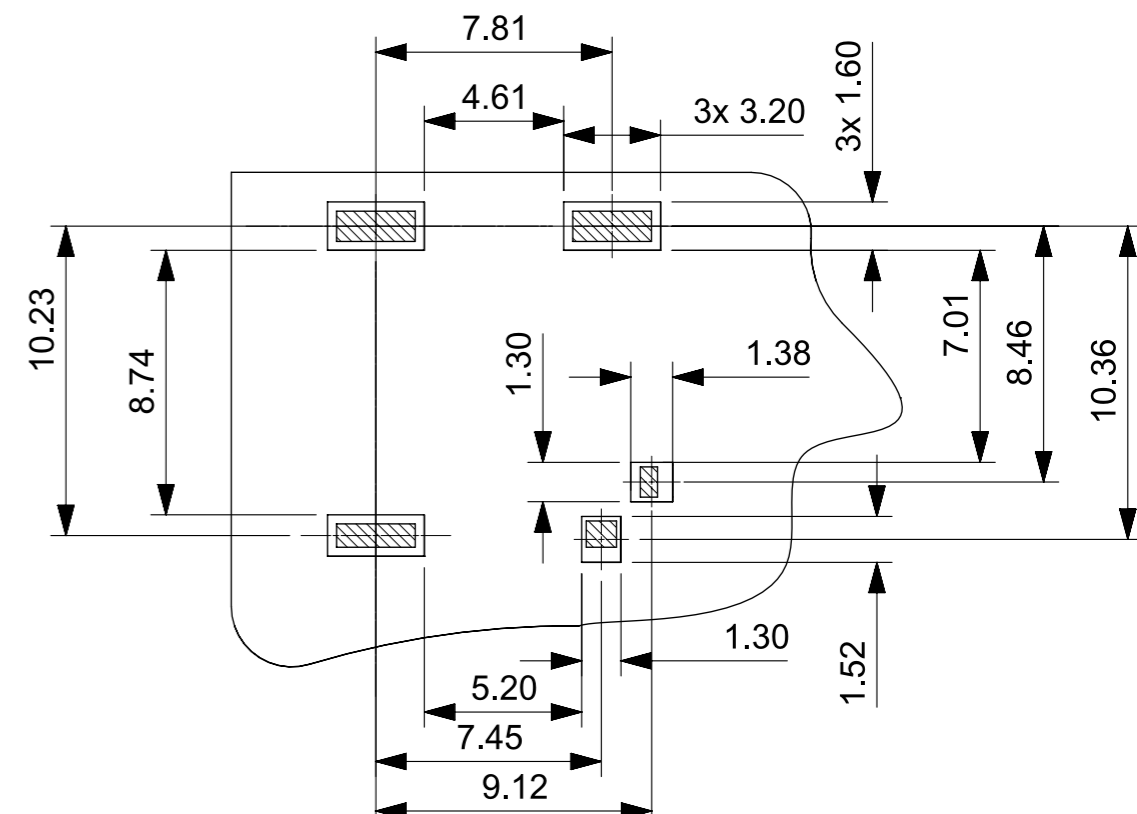
THE CONTACT PAD ON PRODUCT FOR SOLDERING



THE FOOTPRINT ON PCB FOR SOLDERING



RECOMMENDED PCB PATTERN LAYOUT



THIS DRAWING CONTAINS INFORMATION THAT IS PROPRIETARY TO MOLEX INCORPORATED AND SHOULD NOT BE USED WITHOUT WRITTEN PERMISSION											
QUALITY SYMBOLS = 0 = 0 = 0 = 0 = 0 = 0 = 0 = 0 = 0	EC DESCRIPTION		GENERAL TOLERANCES (UNLESS SPECIFIED)		DIMENSION UNITS		SCALE				
	EC NO: 2016/01/18 DRWN: EC DRAWN CHK'D: EC CHKD APPR: EC APPR		4 PLACES ± 0.00000 3 PLACES ± 0.00000 2 PLACES ± 0.0000 1 PLACE ± 0.00 0 PLACES ± 0.00		mm		1:1				
	A		DRAFT WHERE APPLICABLE MUST REMAIN WITHIN DIMENSIONS		A3		THIRD ANGLE PROJECTION		FOOTPRINT FOR RHCP GPS		
	A		DRAFT WHERE APPLICABLE MUST REMAIN WITHIN DIMENSIONS		A3		THIRD ANGLE PROJECTION		PRODUCT DESIGN DRAWING		
	A		DRAFT WHERE APPLICABLE MUST REMAIN WITHIN DIMENSIONS		A3		THIRD ANGLE PROJECTION		SERIES: 146216 MATERIAL NUMBER: 1462160001 CUSTOMER: GENERAL MARKET		
	A		DRAFT WHERE APPLICABLE MUST REMAIN WITHIN DIMENSIONS		A3		THIRD ANGLE PROJECTION		DOCUMENT NUMBER: SD-146216-001 DOC TYPE: XXX DOC PART: XXX SHEET NUMBER: 3 OF 3		
	A		DRAFT WHERE APPLICABLE MUST REMAIN WITHIN DIMENSIONS		A3		THIRD ANGLE PROJECTION		SERIES: 146216 MATERIAL NUMBER: 1462160001 CUSTOMER: GENERAL MARKET		
	A		DRAFT WHERE APPLICABLE MUST REMAIN WITHIN DIMENSIONS		A3		THIRD ANGLE PROJECTION		DOCUMENT NUMBER: SD-146216-001 DOC TYPE: XXX DOC PART: XXX SHEET NUMBER: 3 OF 3		
	A		DRAFT WHERE APPLICABLE MUST REMAIN WITHIN DIMENSIONS		A3		THIRD ANGLE PROJECTION		SERIES: 146216 MATERIAL NUMBER: 1462160001 CUSTOMER: GENERAL MARKET		
	A		DRAFT WHERE APPLICABLE MUST REMAIN WITHIN DIMENSIONS		A3		THIRD ANGLE PROJECTION		DOCUMENT NUMBER: SD-146216-001 DOC TYPE: XXX DOC PART: XXX SHEET NUMBER: 3 OF 3		

RELEASE STATUS	RELEASE DATE
----------------	--------------