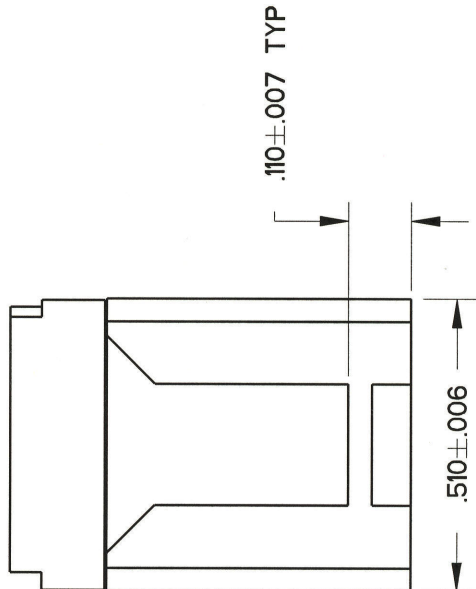
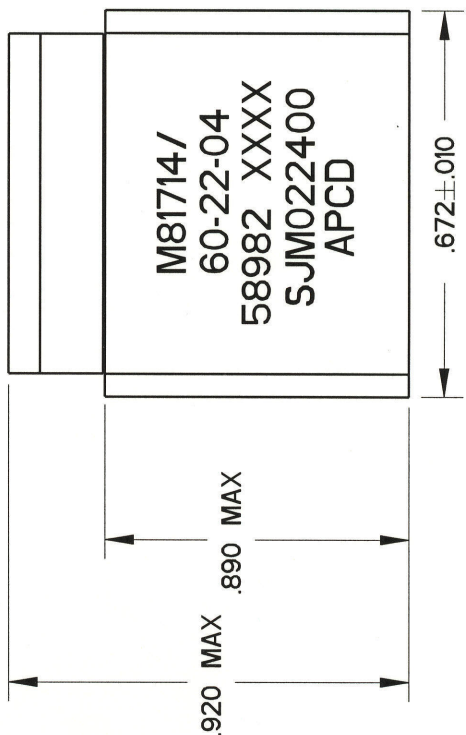
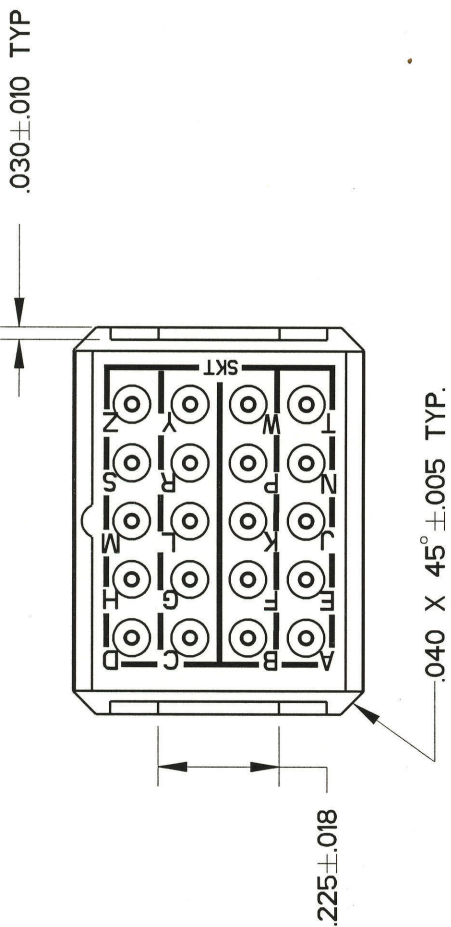
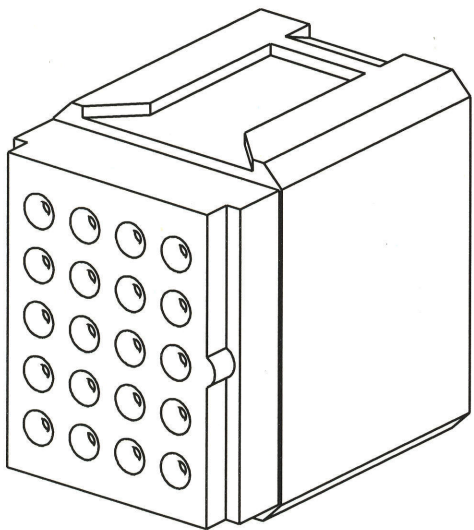


REV	ECN	APP'D
M	5910	RS 7/27/06
N	5979	<i>PT</i> 1/15/06



- NOTES:
- PART MEETS ALL REQUIREMENTS OF MIL-T-81714/60
 - MATERIALS:
GROMMET - SILICONE RUBBER PER A-A-59588
BODY - POLYETHERIMIDE PER ASTM-D-5205
INTERNAL CONTACT - BRASS PER ASTM-B16, GOLD PLATED PER SAE-AMS-2422
CONTACT RETAINER CLIPS - STAINLESS STEEL PER ASTM-A666
 - PART ACCEPTS M39029/22-191 SOCKET CONTACTS. SEE TABLE

APCD P/N	SUPPLIED		MARKING
	SKTS	PLUGS	
SJM022400	21	2	M81714/60-22-04
SJM022401	-	-	SJM022400

Amphenol Pcd		TITLE	
SPECIFICATION DRAWING		SOCKET JUNCTION MODULE	
DRWN	R. SWAINE	DATE	9/25/06
ENGR	<i>R. Swaine</i>	DATE	11/15/06
APPB	<i>Swaine</i>	DATE	1/15/06
DIMENSIONS	ANSI Y14.5M UNITS: INCHES Pro/E FILE	TOLERANCES	.XX ±0.01 .XXX ±0.005 ANGLES ±2.0°
PROJECTION		THIS DOCUMENT CONTAINS PROPRIETARY INFORMATION WHICH IS THE CONFIDENTIAL PROPERTY OF AMPHENOL PCD INC., PEABODY, MA	
ORIGINAL		SIZE	B
DWG NO.		CODE	58982
SCALE		SCALE	3:1
REV		SHEET	1 OF 1
REV		N	