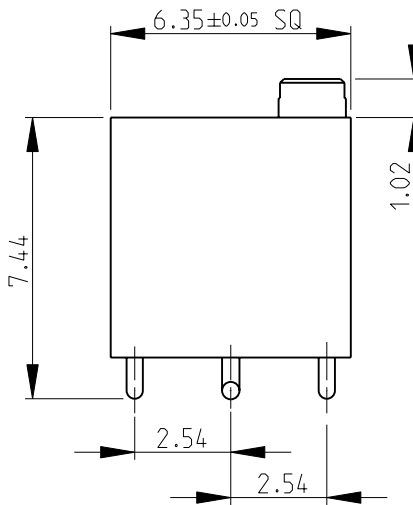
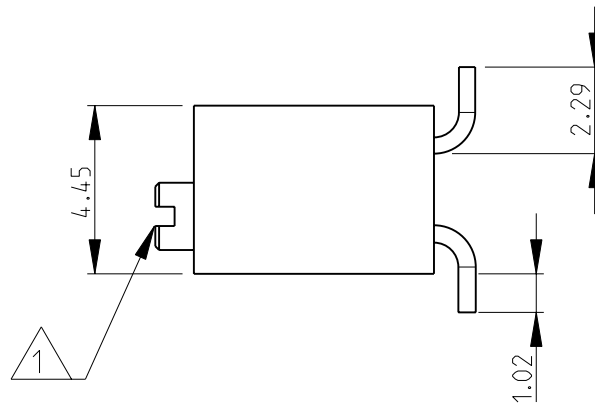
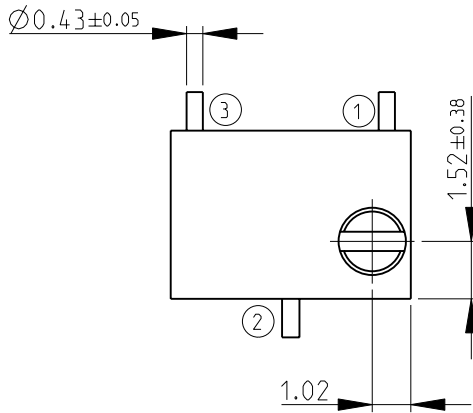


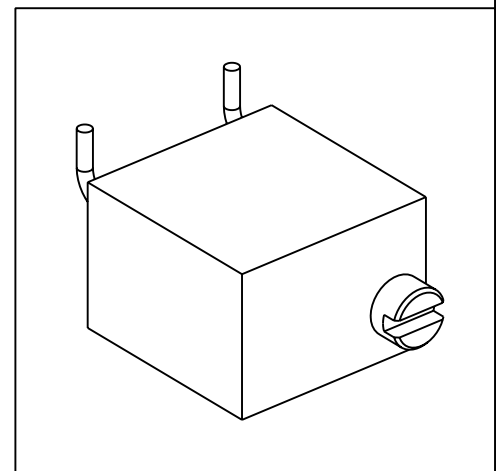
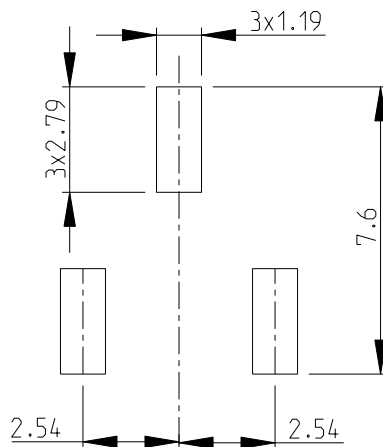
LOC	DIST	REVISIONS					
E	B	P	LTR	DESCRIPTION	DATE	DWN	APVD
			BA	NEW RELEASE	01-DEC-08	SM	St.P



- 1 ADJUSTMENT SLOT: $\varnothing 1.78$; WIDTH- 0.51; DEPTH- 0.51
- 2 FOR FURTHER INFORMATION SEE DATA SHEET FOR 3270 SERIES-SMD PROFESSIONAL TRIMMERS

RoHS Compliant

RECOMMENDED LAND PATTERN



2008

RELEASED FOR PUBLICATION

THIS DRAWING IS UNPUBLISHED.

© COPYRIGHT 2008 BY TYCO ELECTRONICS CORPORATION. ALL RIGHTS RESERVED.

DIMENSIONS: mm	DWN	01-DEC-08	MATERIAL	-	FINISH	-
	CHK	01-DEC-08	Tyco Electronics Corporation Dorcan, Swindon, SN3 5HH			
TOLERANCES UNLESS OTHERWISE SPECIFIED:	APVD	01-DEC-08				
	0 PLC	±0.2	NAME	SMD PROFESSIONAL TRIMMERS SERIES 3270W		
1 PLC	±0.1	PRODUCT SPEC	SIZE	CAGE CODE	DRAWING NO	RESTRICTED TO
2 PLC	±	APPLICATION SPEC	A 4	00779	© = 1623912	-
3 PLC	±	WEIGHT	CUSTOMER DRAWING			
4 PLC	±		SCALE	5:1	SHEET 1 OF 1	REV BA
ANGLES	±5°					