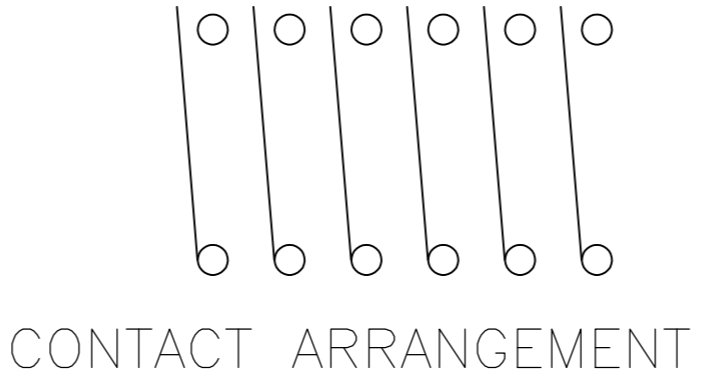
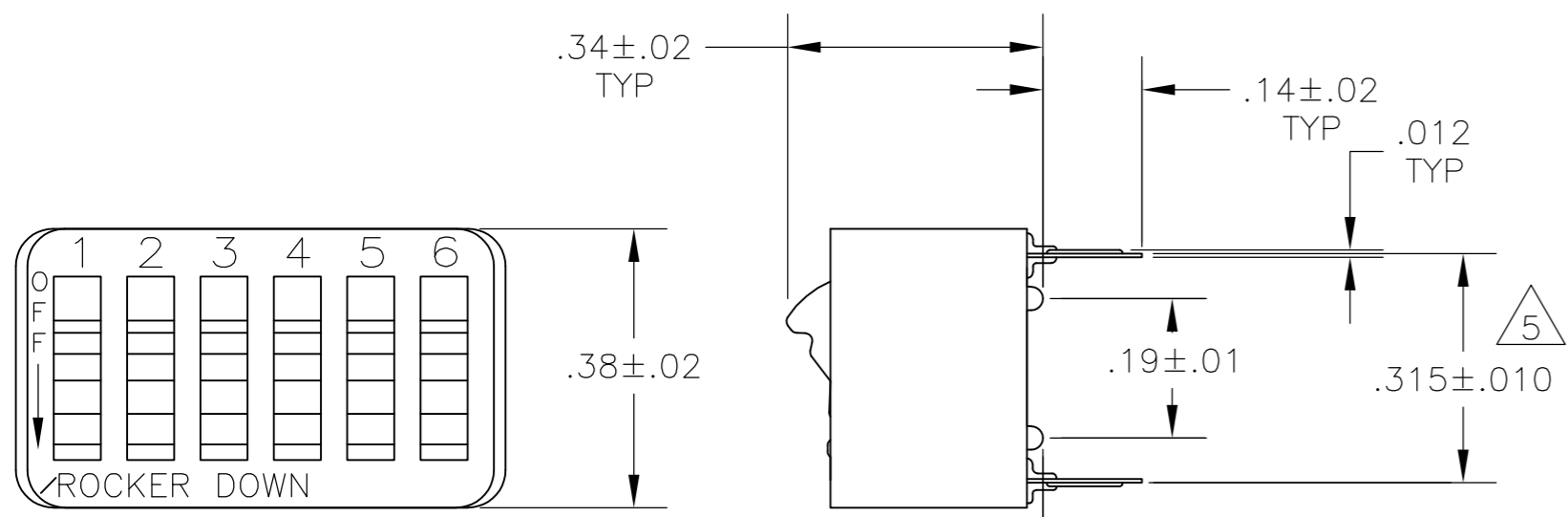


THIS DRAWING IS UNPUBLISHED. RELEASED FOR PUBLICATION  
 © COPYRIGHT - By - ALL RIGHTS RESERVED.

Loc		DIST		REVISIONS			
P	LTR	DESCRIPTION	DATE	DWN	APVD		
AG	00	BB2	REVISED PER ECO-11-004917	11MAR11	RK	HMR	



CONTACT ARRANGEMENT

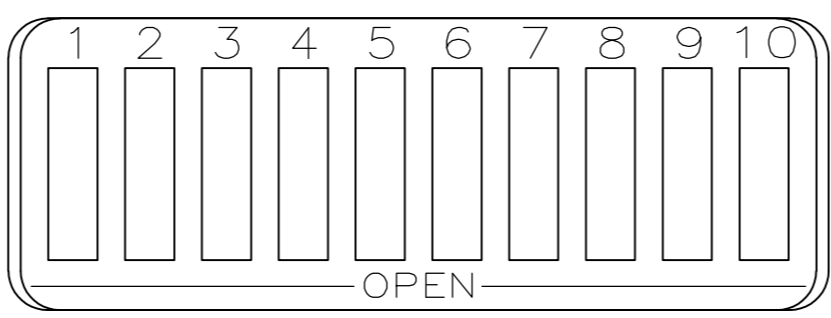


FIG 8

- FOR ADDITIONAL SPECIFICATIONS SEE AMP PRODUCT SPEC 108-7519.
  - SWITCH SHOWN IN OPEN POSITION.
  - ALL CHARACTERS AND ROCKERS ARE WHITE, HOUSING IS BLACK.
  - STAMPING WILL VARY ON 2 AND 3 POSITION SIDES DUE TO SPACE RESTRICTIONS.
- △ .315 DIMENSION APPLIES AT TERMINAL TIPS. TERMINALS ARE .300 ±.010 AT MOUNTING SURFACE.
  - △ STRIPPABLE TRANSPARENT SEAL, SEE FIG 1.
  - △ STAMPED CUSTOMER PART NO, SEE FIG 5.
  - △ NO PART NO, LOGO AND DATE CODE. SEE FIG 6.
  - △ OBSOLETE PARTS: OBSOLETE CIS STREAMLINING PER D.RENAUD/D.SINISI

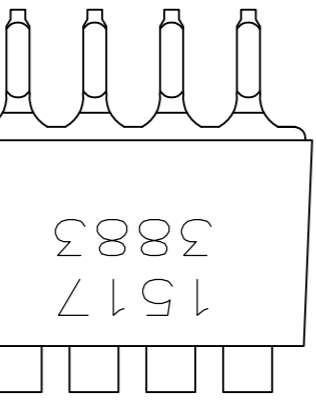
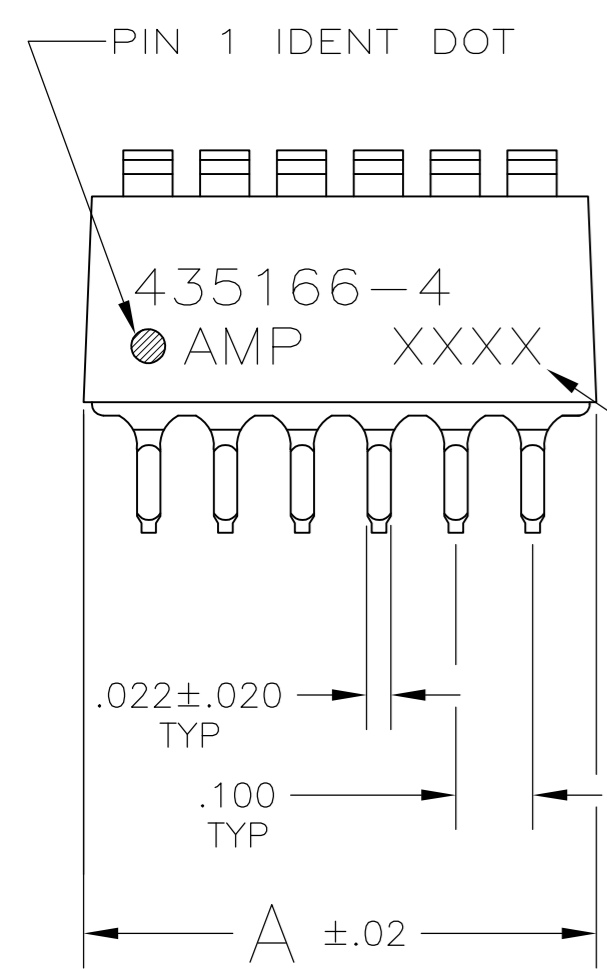


FIG 5

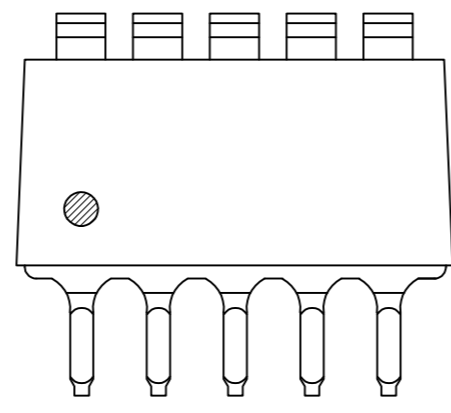


FIG 6

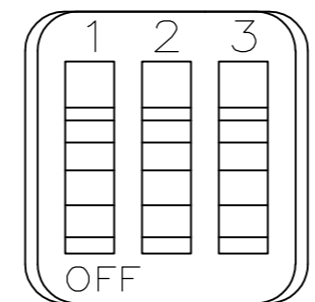


FIG 7

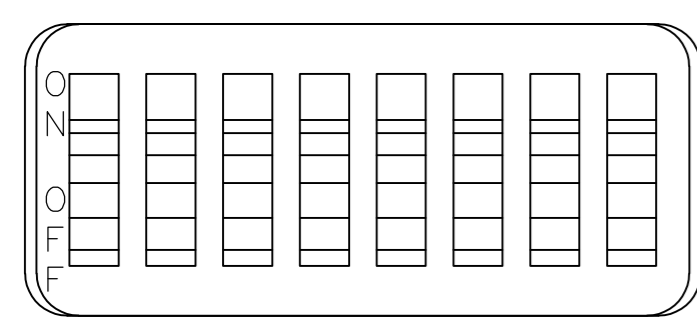


FIG 2

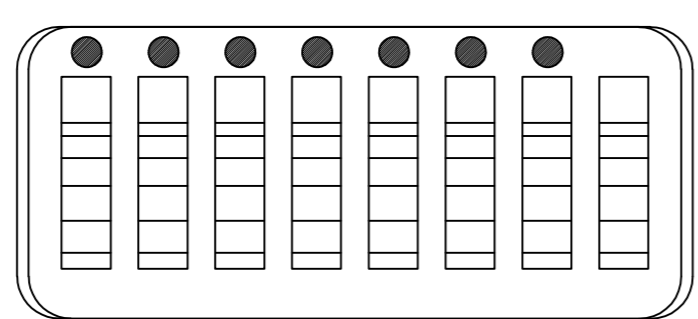


FIG 3

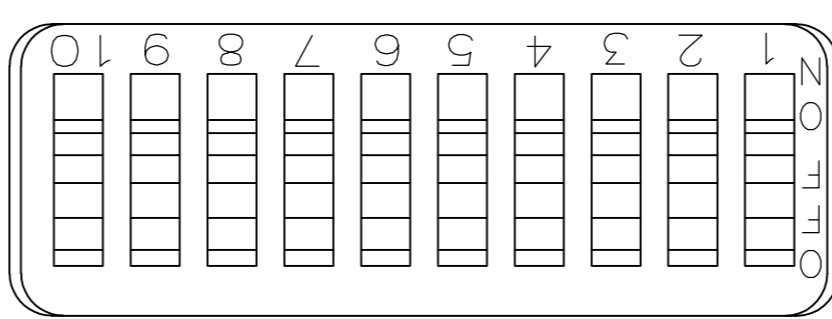


FIG 4

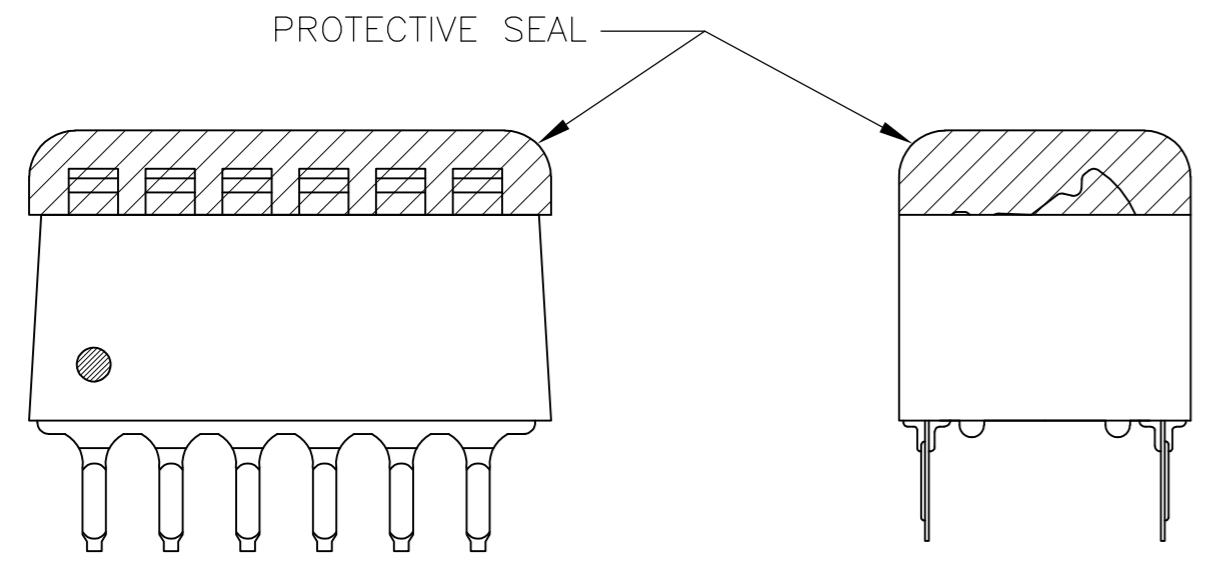


FIG 1

435166-4 SHOWN

FIG	DESCRIPTION	DATE	DWN	APVD		
△9	OBSOLETE	FIG 8	△6	1.08	10	7-435166-4
	OBS	NONE	△8	.58	5	7-435166-3
	OBS	FIG 4		1.08	10	6-435166-0
	OBS	NONE		1.28	12	5-435166-9
	OBS			1.28	12	5-435166-7
△9	OBSOLETE			1.08	10	5-435166-5
	OBS			.98	9	5-435166-4
	OBS			.88	8	5-435166-3
△9	SUPSEDED BY 5-5435166-2			.78	7	5-435166-2
	OBS			.68	6	5-435166-1
△9	OBSOLETE			.58	5	5-435166-0
	OBS			.48	4	4-435166-9
	OBS	FIG 7		.38	3	4-435166-8
△9	SUPSEDED BY 3-435626-6			.28	2	4-435166-7
	OBS	AS SHOWN	△7	.48	4	4-435166-6
	OBS	FIG 3		.78	7	3-435166-5
	OBS	AS SHOWN		1.28	12	3-435166-2
	OBS	FIG 7		.38	3	3-435166-0
	OBS			.28	2	2-435166-9
△9	OBSOLETE	FIG 2		.88	8	2-435166-8
	OBS			1.08	10	435166-7
△9	SUPSEDED BY 1-435166-6			.98	9	435166-6
	OBS			.88	8	435166-5
	OBS			.68	6	435166-4
	OBS			.58	5	435166-3
	OBS			.48	4	435166-2
	OBS			.78	7	435166-1
	OBSOLETE					
	TOP MARKING		PROTECTIVE SEAL	A	NO OF POSN	PART NO

THIS DRAWING IS A CONTROLLED DOCUMENT.		DWN	R.TALLEY	17NOV89
DIMENSIONS: INCHES		CHK	R.MILLER	06MARGO
TOLERANCES UNLESS OTHERWISE SPECIFIED:		APVD	H.LEITER	07MARGO
0 PLC ± -		PRODUCT SPEC		
1 PLC ± -		APPLICATION SPEC		
2 PLC ± -				
3 PLC ± .005				
4 PLC ± -				
ANGLES ± -				
MATERIAL: HOUSING & ROCKERS: POLYESTER; CONTACTS: BERYLLIUM COPPER		FINISH: CONTACTS: PLATED .00030 MIN GOLD IN CONTACT AREA OVER .00050 MIN NICKEL	WEIGHT	-
		SIZE	A2	CAGE CODE
		DRAWING NO	00779	RESTRICTED TO
		SCALE	4:1	SHEET
		REV	BB2	REV