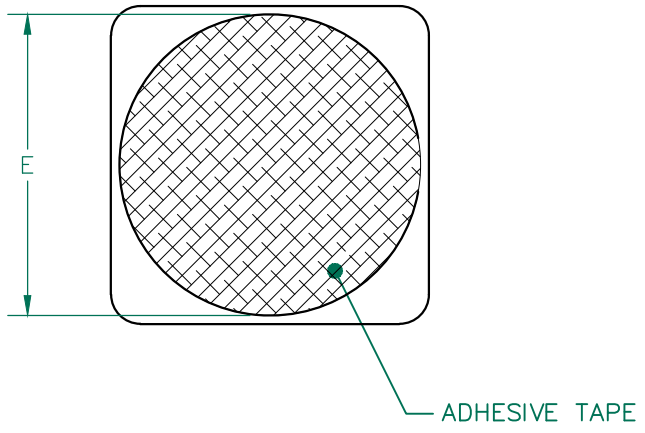
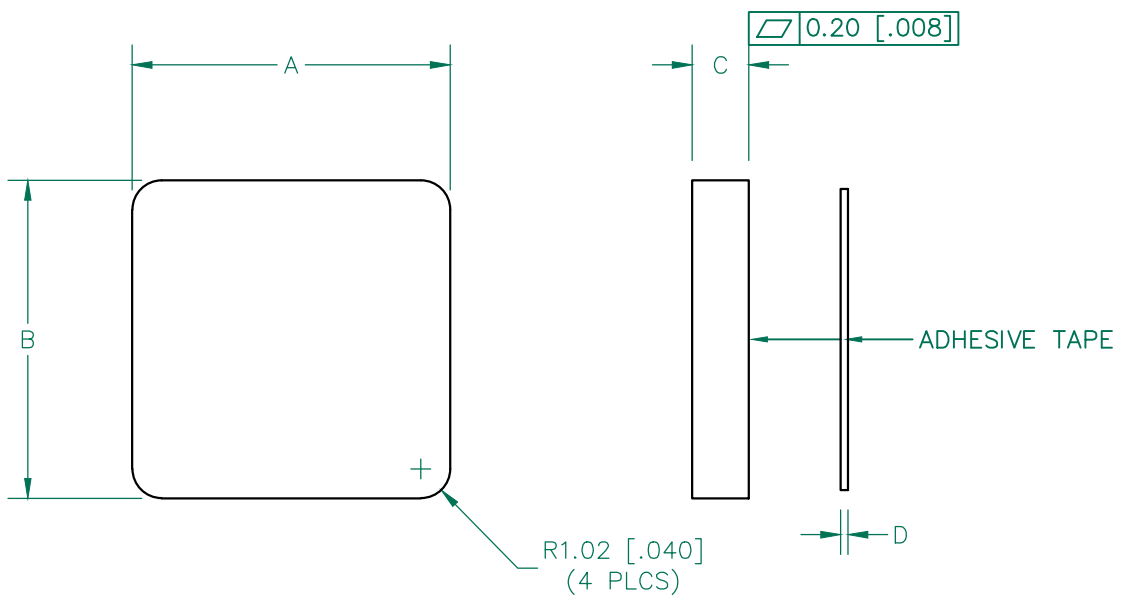


SCALE DRAWING 1:1

MP0433-000

UNCONTROLLED DOCUMENT



NOTES:

1. CORE: MP0433-0B0.
2. ADHESIVE: P/N 21213
3. REFERENCE 3M TAPE 468MP ADHESIVE TRANSFER TAPE OR ENGINEER APPROVED ALTERNATIVE.
4. COSMETIC SPECIFICATION REFER TO WI-QA-038.

DIMENSIONS:

A	11.00 [.433]	+	0.22 [.009]
B	11.00 [.433]	+	0.22 [.009]
C	1.96 [.077]	+	0.20 [.008]
D	0.13 [.005]		TYP.
E	10.41 [.410]		TYP.

WEIGHT/1000 1.16 kgs [2.56 Lbs]

DIMENSIONS ARE IN mm [INCHES].				This print is the property of Laird Tech. and is loaned in confidence subject to return upon request and with the understanding that no copies shall be made without the written consent of Laird Tech. All rights to design or invention are reserved.				
REV	DESCRIPTION	DATE	INT					PROJECT/PART NUMBER:
J	UPDATE THE LOGO	06/19/15	QIU	MP0433-000		J	FERRITE PLATE	TMB
H	CHANGE DIMENSION D	07/08/09	JRK	DATE:	04/01/04	SCALE:	4 : 1	MATERIAL:
G	REMOVE PULLTAB REVISE NOTE #3	06/11/09	JRK	CAD #	MP0433-000-J	TOOL #	P0433	Ferrite
F	UPDATE COMPANY LOGO AND NOTE #3	12/10/08	JRK					
E	CHANGE TOLERANCE ON C DIMENSION	01/06/06	JRK					
D	STANDARDIZE PRINT FORMAT	09/22/05	JRK					
C	MODIFY NOTE 2 TO ADD PURCHASE P/N	10/08/04	JRK					
B	ADD PART WEIGHT	04/06/04	TMB					
A	ORIGINAL DRAFT	04/01/04	TMB					
REV	DESCRIPTION	DATE	INT					