

Customer Information Sheet

DRAWING No.: P70-5000045R

SHEET 2 OF 2

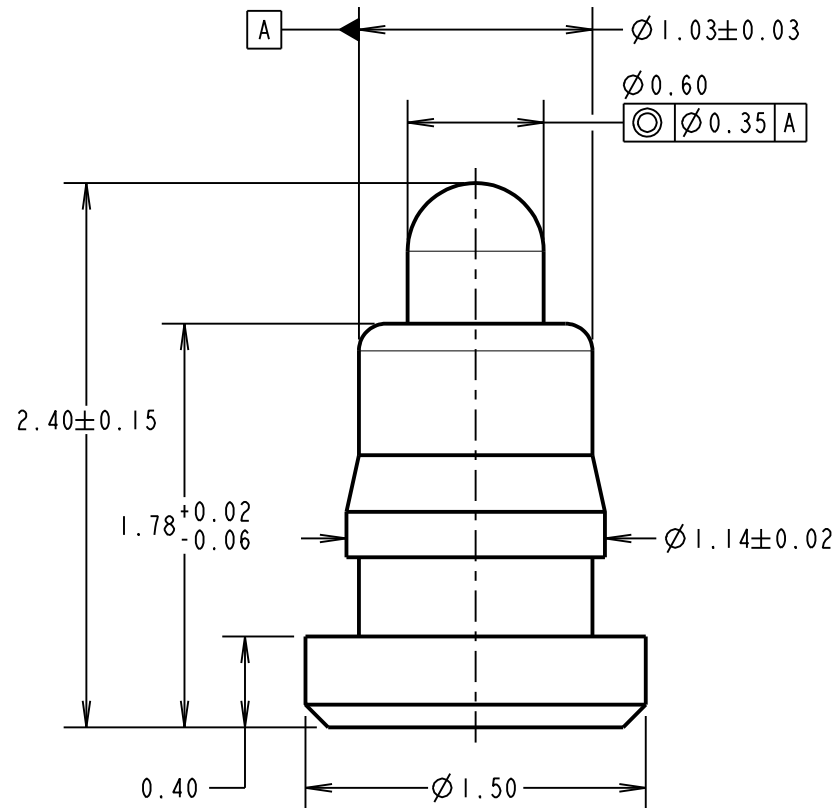
IF IN DOUBT - ASK

©

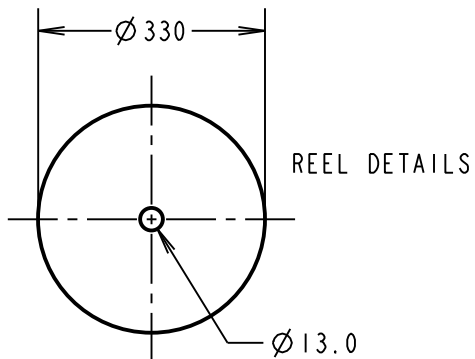
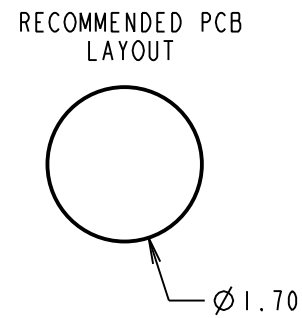
NOT TO SCALE

THIRD ANGLE PROJECTION

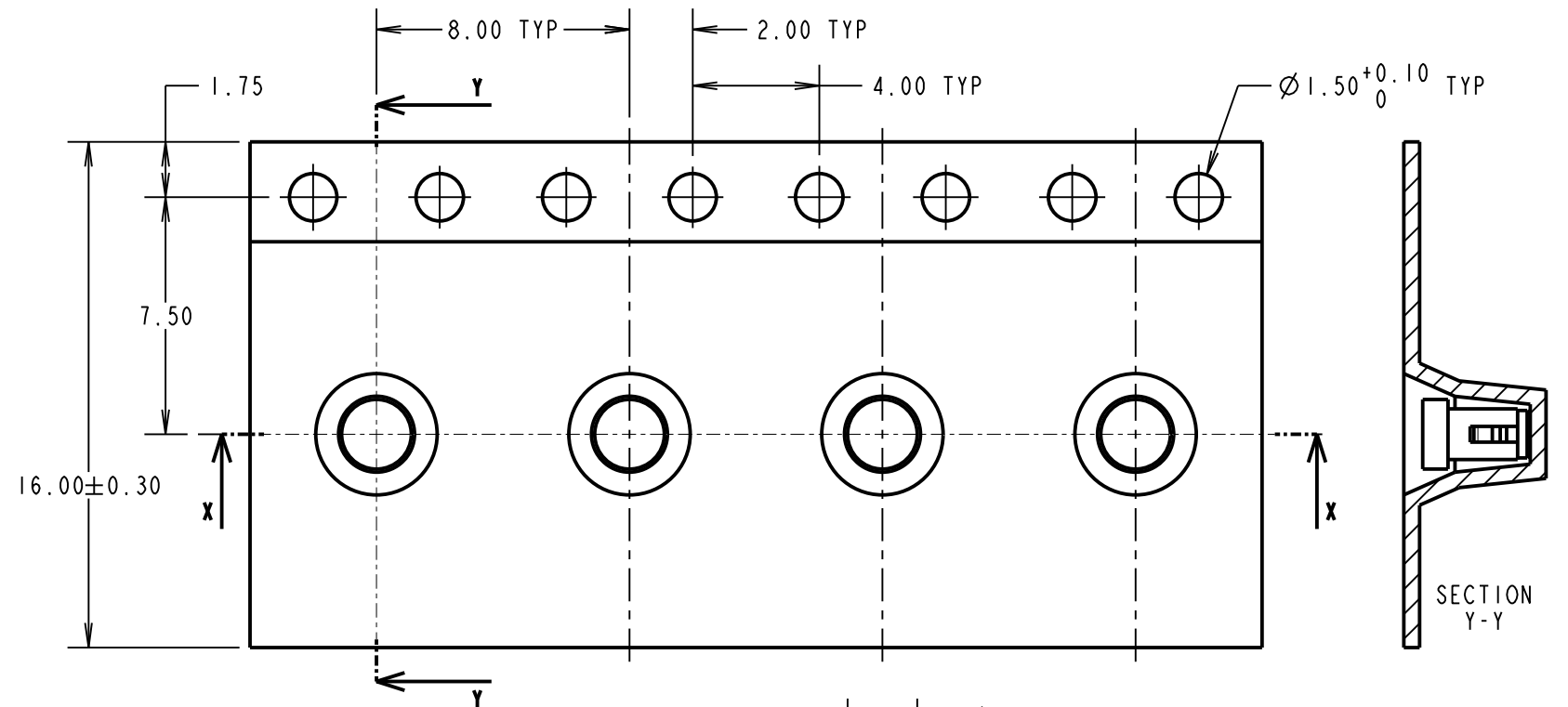
ALL DIMENSIONS IN mm



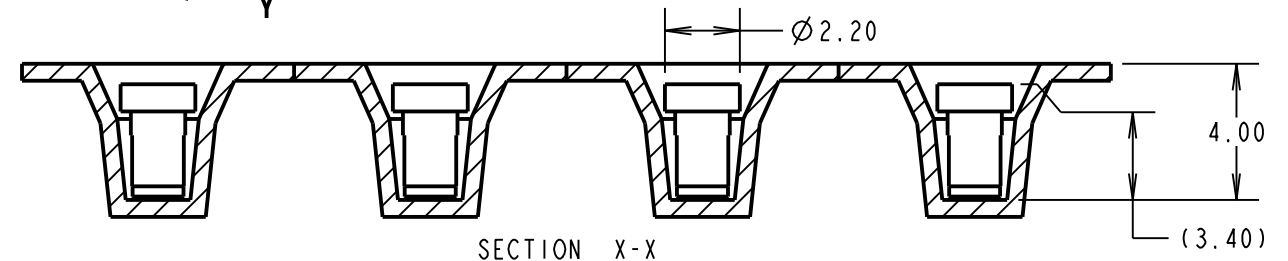
COMPONENT DETAILS



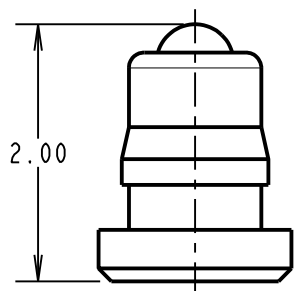
REEL DETAILS



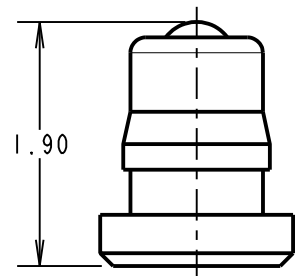
SECTION Y-Y



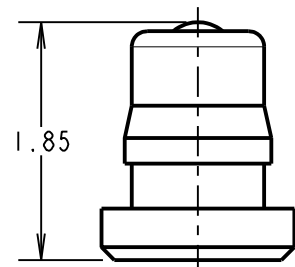
SECTION X-X



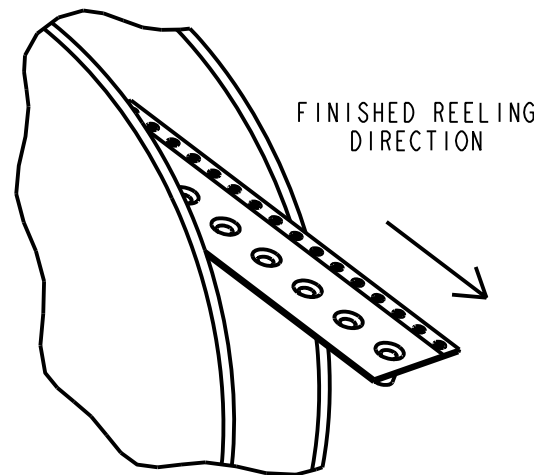
MAXIMUM WORKING HEIGHT



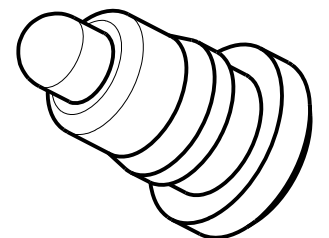
NORMAL WORKING HEIGHT



MINIMUM WORKING HEIGHT/MAX ALLOWED TRAVEL



FINISHED REELING DIRECTION



NOTES:

- IF ASSEMBLING PIN INTO MOULDING:
RECOMMENDED HOLE SIZE = $\varnothing 1.09$ MIN.
RECOMMENDED MATERIAL = GLASS FILLED NYLON PA46.
- ALL PRODUCTS ARE RoHS AND REACH COMPLIANT.
- PRODUCT IS TAPE AND REELED IN GENERAL ACCORDANCE WITH EIA-481 (ELECTRONIC INDUSTRIES ASSOCIATION).

SPECIFICATION:

MATERIAL:
BODY & PLUNGER = BRASS
SPRING = STAINLESS STEEL WIRE
PLATING:
BODY = 0.1μ GOLD OVER 1.4μ NICKEL
PLUNGER = 0.4μ GOLD OVER 1.4μ NICKEL

ELECTRICAL:
CONTACT RESISTANCE = $30m\Omega$ MAX
CURRENT RATING = 1.0A

MECHANICAL:
FORCE AT NORMAL HEIGHT = $0.68N \pm 0.19N$
DURABILITY = 10,000 CYCLES

ENVIRONMENTAL:
OPERATING TEMPERATURE = $-40^{\circ}C$ TO $85^{\circ}C$
PACKING:
QUANTITY: 2000 COMPONENTS PER REEL

| | | | |
|----------------|------|-----------|--------|
| MSP | 2 | 19.08.16 | 20041 |
| NAME | ISS. | DATE | C/NOTE |
| APPROVED: | | M.PERREN | |
| CHECKED: | | S.BENNETT | |
| DRAWN: | | S.BENNETT | |
| CUSTOMER REF.: | | | |
| ASSEMBLY DRG: | | | |

HARWIN

www.harwin.com
technical@harwin.com

THIS DRAWING AND ANY INFORMATION OR DESCRIPTIVE MATTER SET OUT HEREON ARE CONFIDENTIAL AND COPYRIGHT PROPERTY OF THE HARWIN GROUP AND MUST NOT BE DISCLOSED, LOANED, COPIED OR USED FOR MANUFACTURING, TENDERING OR FOR ANY OTHER PURPOSE WITHOUT THEIR WRITTEN PERMISSION.

TOLERANCES

X. = $\pm 1mm$
X.X = $\pm 0.50mm$
X.XX = $\pm 0.10mm$
X.XXX = $\pm 0.01mm$
ANGLES = $\pm 5^{\circ}$
UNLESS STATED

MATERIAL:

SEE ABOVE

FINISH:

SEE ABOVE

S/AREA:

mm²

TITLE:

SMT SPRING LOADED POGO PIN IN TAPE AND REEL

DRAWING NUMBER:

P70-5000045R

SHT 2 OF 2