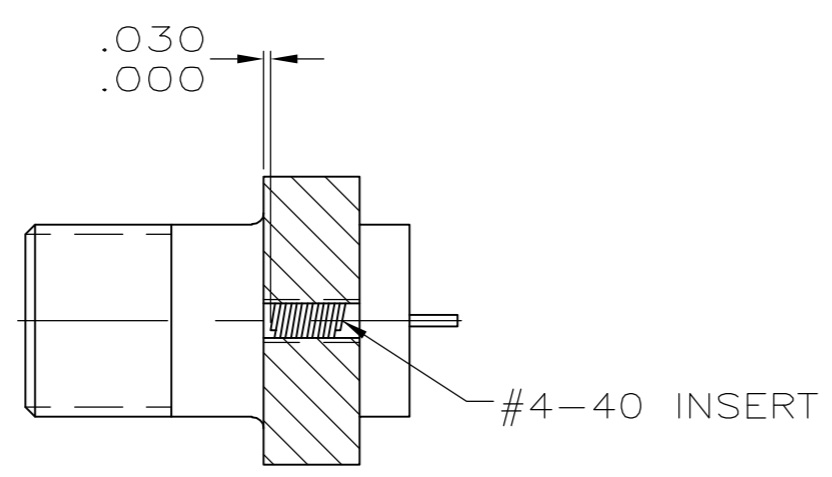
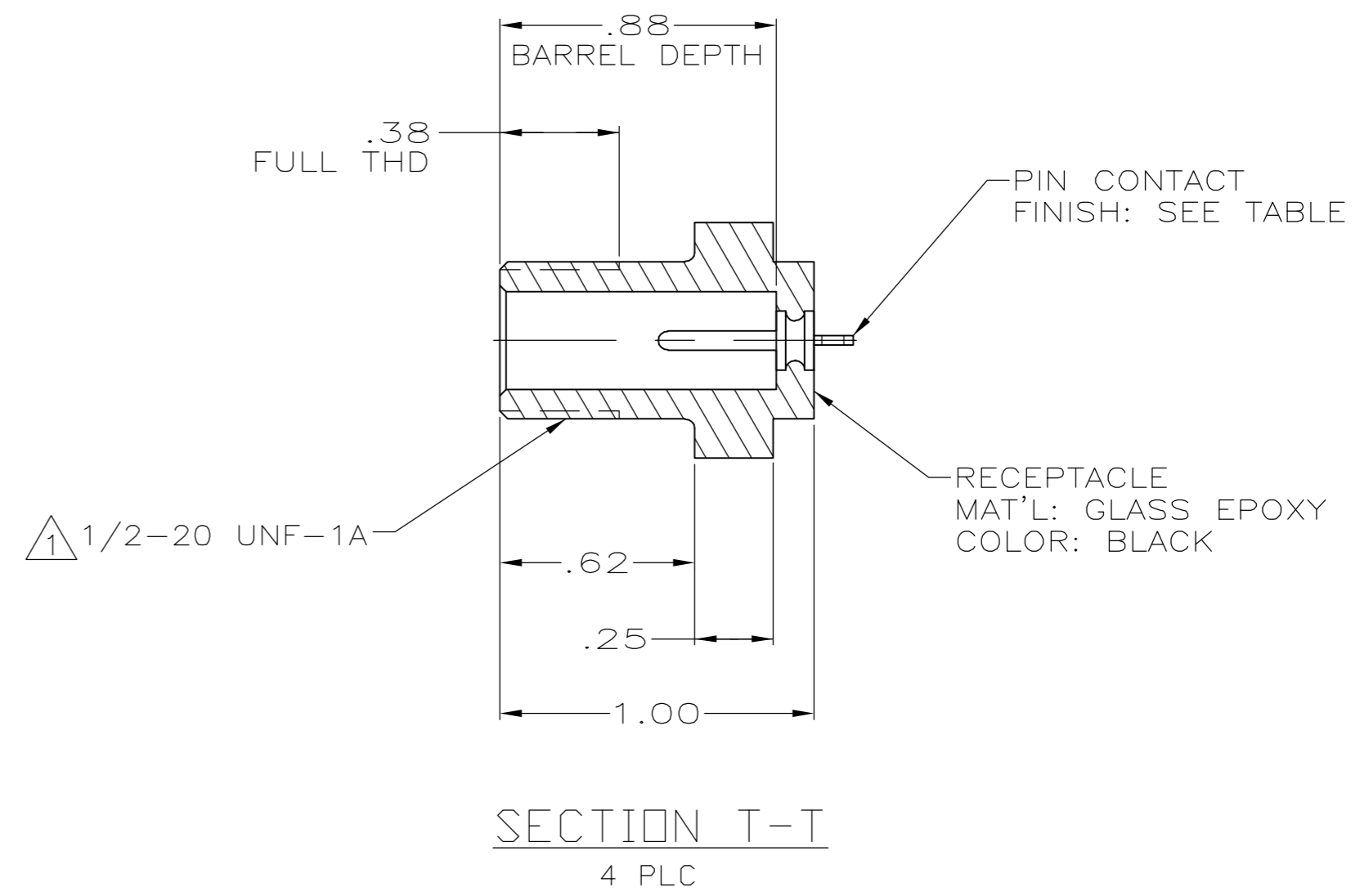
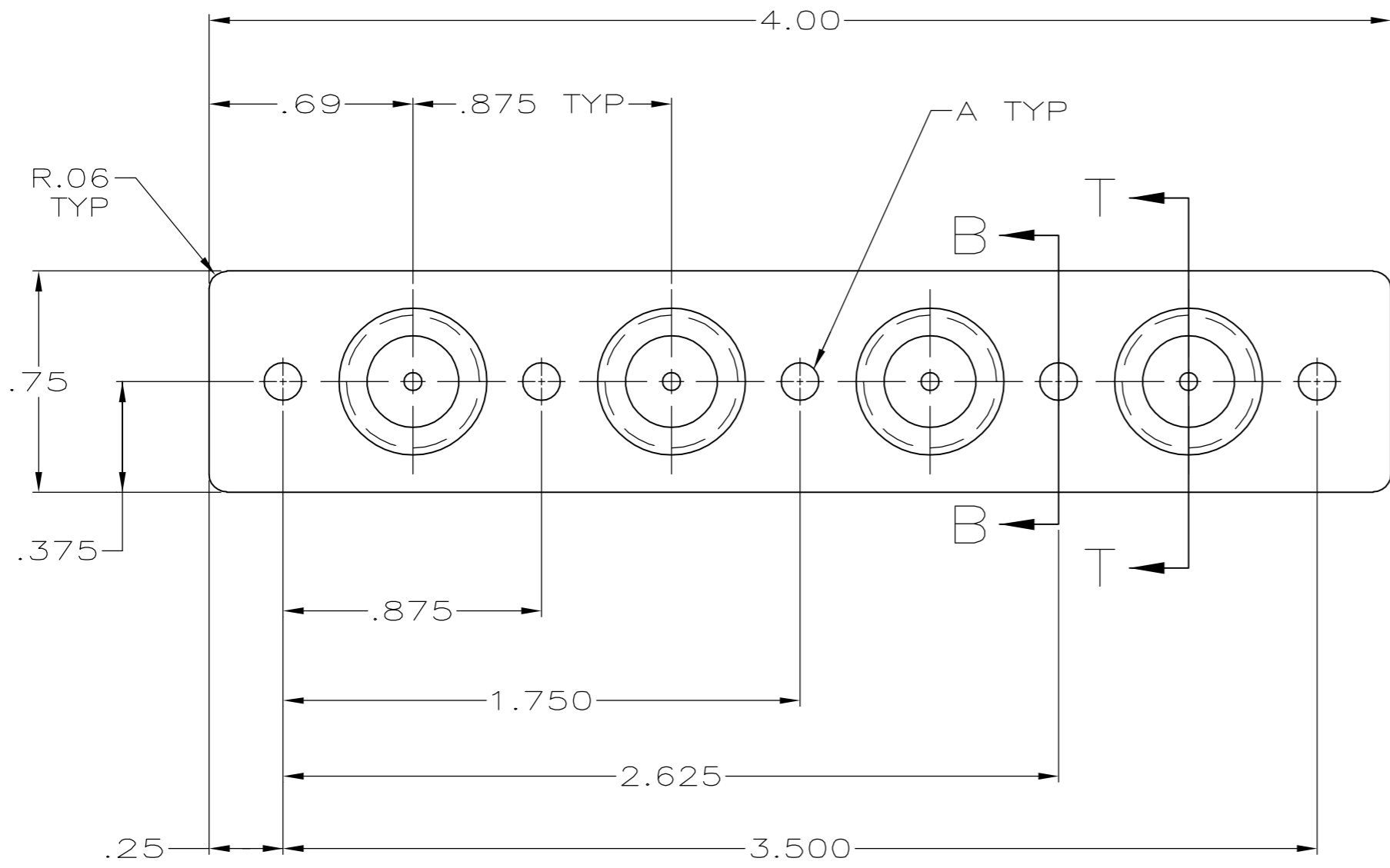


THIS DRAWING IS UNPUBLISHED. RELEASED FOR PUBLICATION - N/A .
 © COPYRIGHT N/A BY TYCO ELECTRONICS CORPORATION. ALL RIGHTS RESERVED.

LOC	DIST	REVISIONS					
DF	S0	P	LTR	DESCRIPTION	DATE	DWN	APVD
		E		REV PER 0H14-0191-05	05-05	AA	DE

- 1. PER FEDERAL STANDARDS H-28, 3 WIRE METHOD. DIMENSION OVER WIRES TO BE: .497-.510
- 2. RECEPTACLE WILL MATE WITH ANY AMP LGH-1 LEAD ASSY AVAILABE SEPARATELY.



SECTION B-B
FOR 861658-1 & -2

TIN	ø.128	5-861658-3
GOLD	ø.128	861658-4
TIN-LEAD	ø.128	861658-3
GOLD	#4-40 INSERT	861658-2
TIN-LEAD	#4-40 INSERT	861658-1
PIN PLATING	DIM A	PART NUMBER

THIS DRAWING IS A CONTROLLED DOCUMENT.

DWN	C.C.THOMAS	22-SEP-00	Tyco Electronics Corporation Harrisburg, Pa 17105-3608			
CHK	D. EABY	22-SEP-00				
APVD	D. EABY	22-SEP-00				
PRODUCT SPEC						
APPLICATION SPEC			RCPT, 4 POSN BULKHEAD MOUNT LGH-1			
MATERIAL			SIZE	CAGE CODE	DRAWING NO	RESTRICTED TO
			A2	00779	C=861658	
CUSTOMER DRAWING			SCALE	2:1	SHEET	1 OF 1
					REV	E