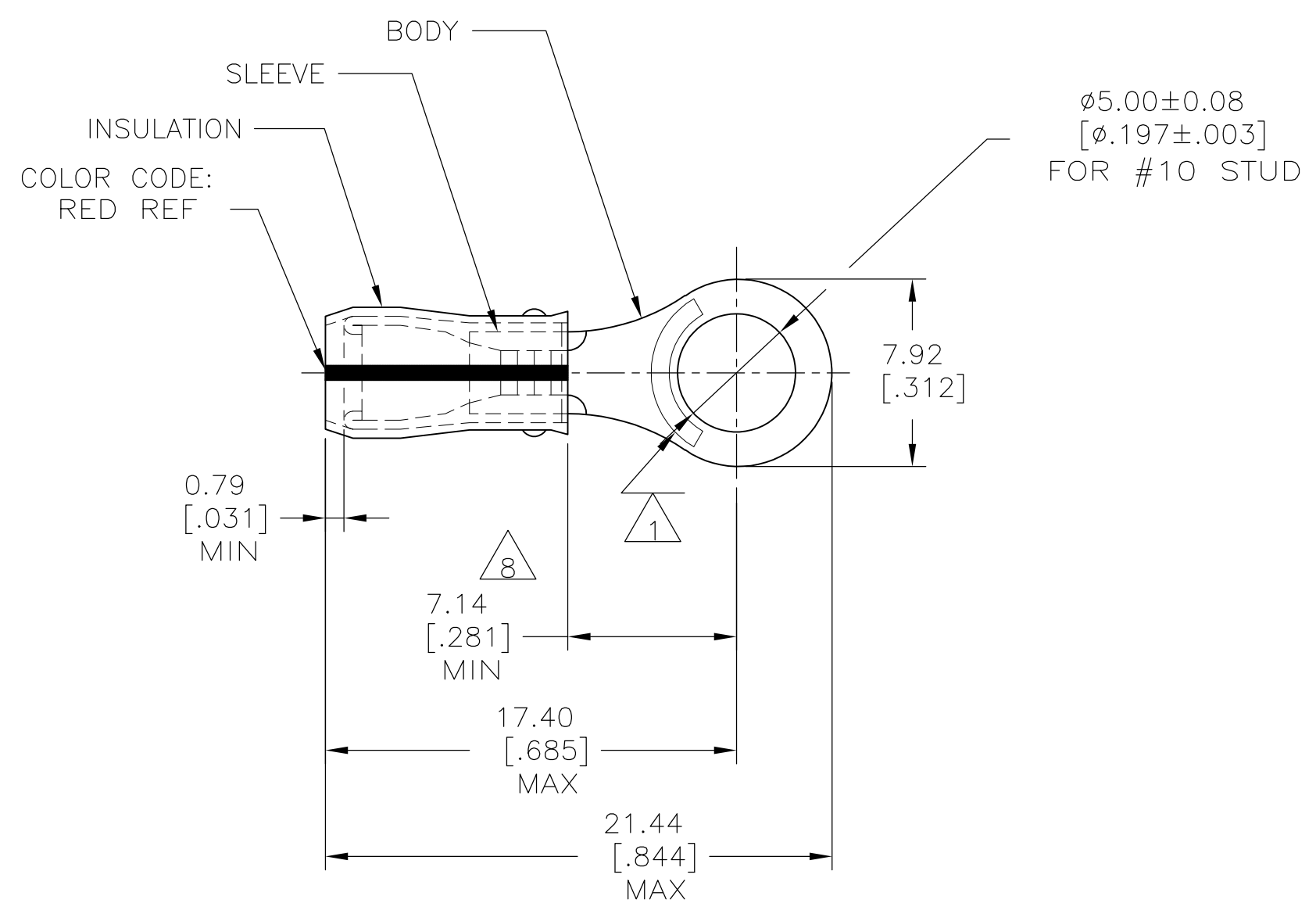


THIS DRAWING IS UNPUBLISHED. RELEASED FOR PUBLICATION
 © COPYRIGHT - By - ALL RIGHTS RESERVED.

LOC	DIST	REVISIONS			
P	LTR	DESCRIPTION	DATE	DWN	APVD
G	14				
	K2	REVISED PER ECO-12-007718	07MAY12	KH	DR



- 1 STAMP AMP 22-18* APPROX AS SHOWN
22-16 TERMINALS ARE STAMPED 22-18 IN ACCORDANCE WITH MILITARY SPEC SAE AS7928 COMMERCIAL WIRE RANGE IS 22-16.
- 2 WIRE INSULATION DIA: 2.03-3.18 [.080 - .125]
- 3 TONGUE MATERIAL THK: 0.79±0.05 [.031±.002]
- 4 TIN/LEAD (93-7) PLATE PER ASTM B545. (3% MIN LEAD CONTENT).
- 5 NOTE DELETED.
- 6 NOTE DELETED.
- 7 MATERIAL: BODY & SLEEVE- CU PER ASTM B152 INSULATION - PVF2, COLOR - NATURAL
- 8 DIMENSION APPLIES FROM EDGE OF METAL WIRE BARREL TO CENTER OF STUD HOLE.

MILITARY P/N & CLASS	QTY	PACKAGE TYPE	PART NO.
-	100	LOOSE PIECE, BOX	8-53409-1
M7928/4-103, CLASS 1 & 2 M7928/13-103, CLASS 1 & 2	1000	LOOSE PIECE	53409-1

**AMP INCORPORATED
CUSTOMER SERVICE SYSTEMS**

FOR ADDITIONAL PRODUCT INFORMATION OR COPIES OF DRAWINGS AND TECHNICAL DOCUMENTS
 PRODUCT INFORMATION CENTER
 1-800-522-6752

FOR APPLICATION TOOLING ASSISTANCE CENTER
 TOOLING INFORMATION
 1-800-722-1111

FOR ORDER ENTRY
 1-800-526-5142

MAX RECOMMENDED OPERATING TEMPERATURE:
150°C[302°F] MAX

VOLTAGE RATING:
N/A

CIRCULAR MIL AREA:
0.26-1.65mm²[509-3260] STRANDED

THIS DRAWING IS A CONTROLLED DOCUMENT FOR AMP INCORPORATED. IT IS SUBJECT TO CHANGE AND THE CONTROLLING ENGINEERING ORGANIZATION SHOULD BE CONTACTED FOR THE LATEST REVISION.

THIS DRAWING IS A CONTROLLED DOCUMENT.

DIMENSIONS: mm [INCHES]

TOLERANCES UNLESS OTHERWISE SPECIFIED:

0 PLC	± -
1 PLC	± -
2 PLC	± 0.20[.008]
3 PLC	± -
4 PLC ANGLES	± -

MATERIAL: - 7

FINISH: 4

DWN DK SCHRUM 06/16/93
 CHK RE HERSEY 7/6/93
 APVD M ELLIS 7/6/93

PRODUCT SPEC: -

APPLICATION SPEC: NOT AVAILABLE

WEIGHT: -

STE TE Connectivity

NAME: TERMINAL, RING TONGUE, PVF2, PIDG WIRE SIZE: 22-16 AWG

SIZE: A3 CAGE CODE: 00779 DRAWING NO: C-53409 RESTRICTED TO: -

CUSTOMER DRAWING SCALE: 4:1 SHEET: 1 OF 1 REV: K2