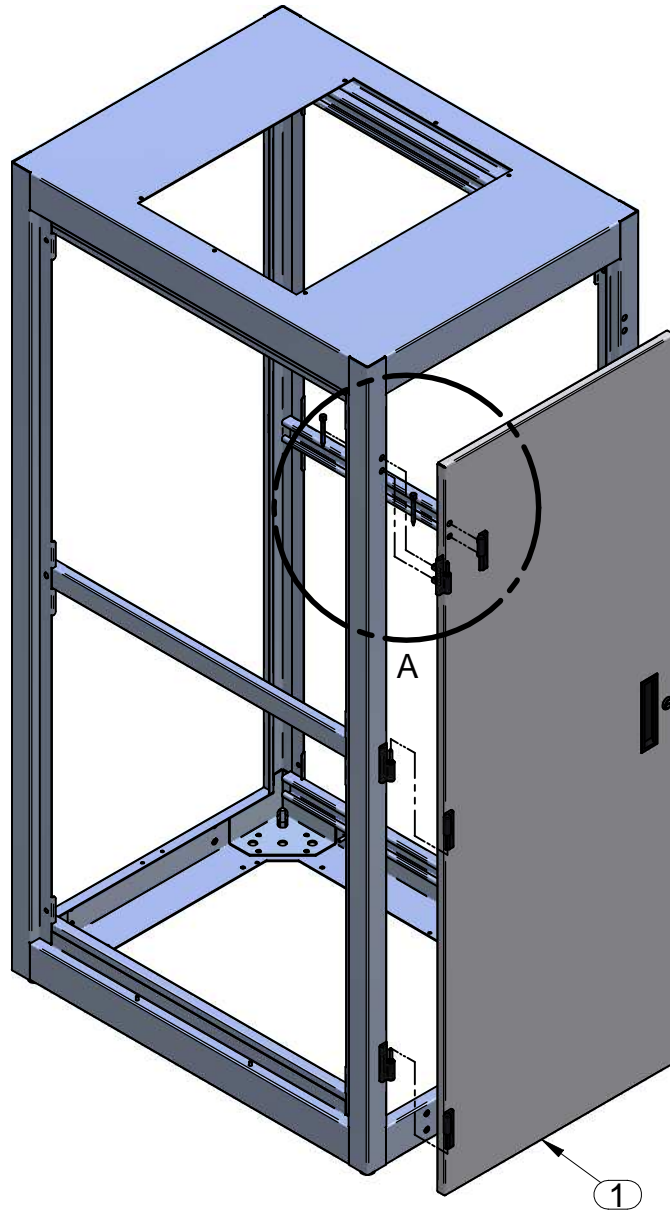


DETAIL A
TYP 3 PLS



ASSEMBLY INSTRUCTIONS:

- A) Locate each half of hing as shown typical 3 places.
- B) Lift door onto hinge pins located on cabinet frame.

NOTE: For right hand hinges order part #C4RHINGE.

PARTS LIST		
ITEM No.	DESCRIPTION	QTY
1	C4 DOOR ASSEMBLY	1
2	HINGE ASSEMBLY	3

TOOL BOX

