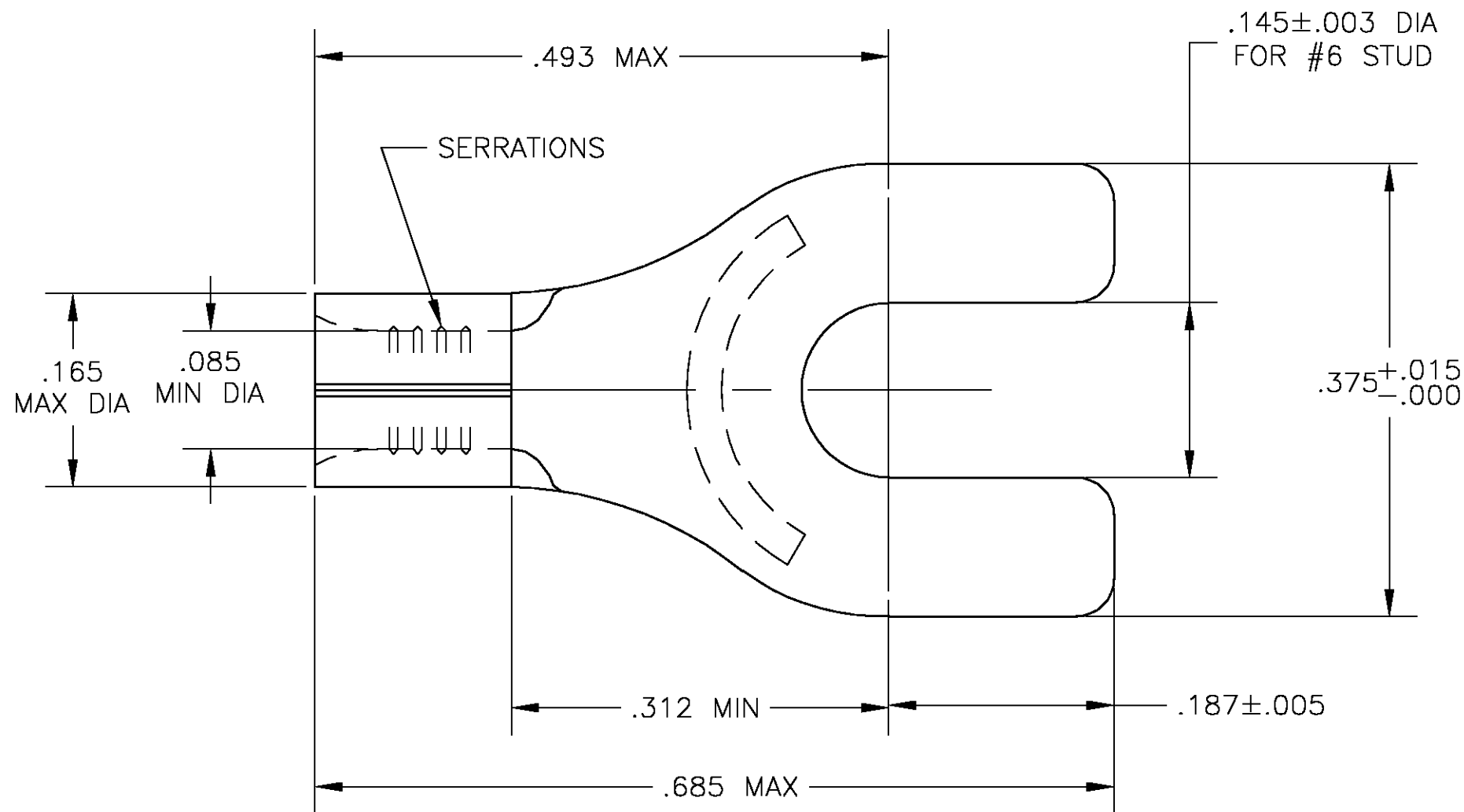


THIS DRAWING IS UNPUBLISHED. RELEASED FOR PUBLICATION
 © COPYRIGHT BY TYCO ELECTRONICS CORPORATION. ALL RIGHTS RESERVED.

LOC	DIST	REVISIONS			
P	LTR	DESCRIPTION	DATE	DWN	APVD
G	14				
		D	REDRAWN PER 0G3A-0601-03	30SEPT03	JR MS

- 1 FOREIGN PRODUCTION ONLY
- 2 TIN PLATE PER ASTM B545, ANNEALED.
- 3 TONGUE THK IS $.031 \pm .002$



34127-0
 PART NO

THIS DRAWING IS A CONTROLLED DOCUMENT.		DWN jr_ruth 30SEPT03	Tyco Electronics Corporation Harrisburg, PA 17105		
DIMENSIONS: INCHES		CHK MJ SPICER 30SEPT03			
TOLERANCES UNLESS OTHERWISE SPECIFIED:		APVD MJ SPICER 30SEPT03	NAME TERMINAL SOLISTRAND, SPADE WIRE SIZE: 16-14		
		PRODUCT SPEC -	SIZE A3	CAGE CODE 00779	DRAWING NO C-34127
MATERIAL COPPER ASTM B152		APPLICATION SPEC -	WEIGHT -	RESTRICTED TO -	
FINISH -			SCALE 8:1 SHEET 1 OF 1 REV D		