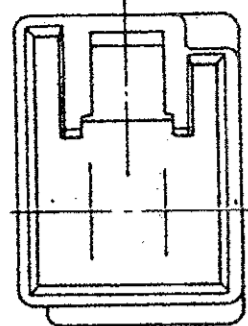


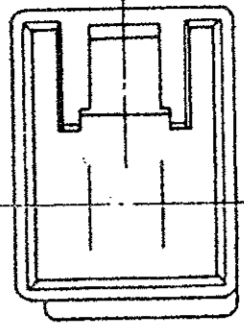
DWG. NO 281866

Tabella Posiz. Polarizzazione/Part Number..Viste Frontali da G.

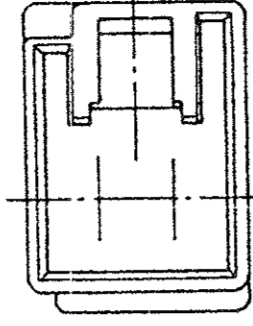
(Polarization configuration table / Part Number - View from G.)



281866 -1



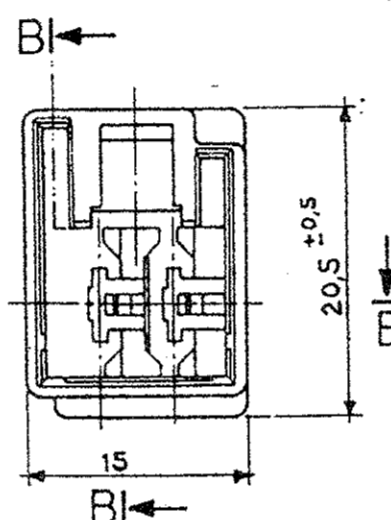
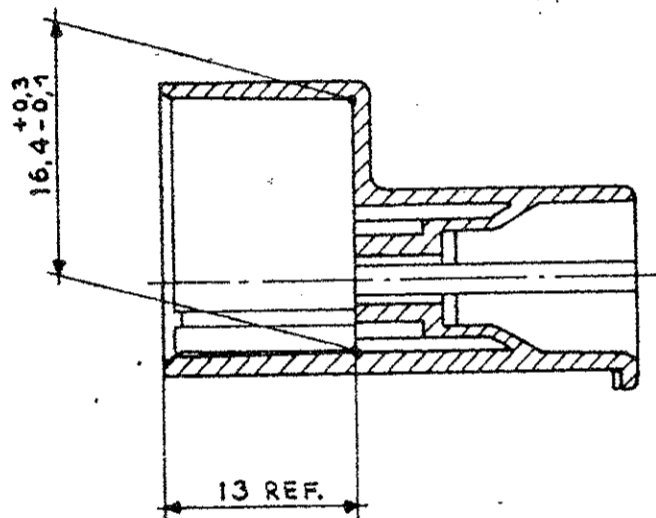
281866 -2



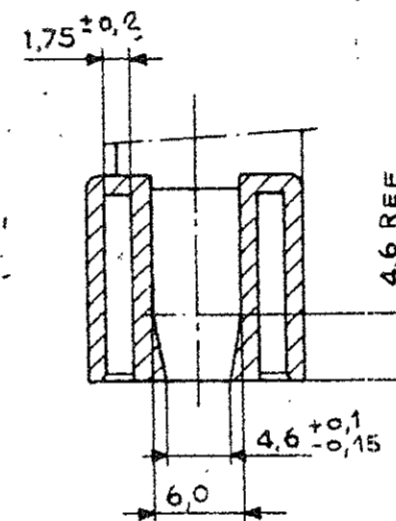
281866 -3

DO NOT SCALE		METRIC		THIRD ANGLE PROJECTION	
DIMENSIONS IN mm					
QTY REQ'D PER ASSY		PART NO		PART LIST	
				DESCRIPTION	
				ITEM NO	

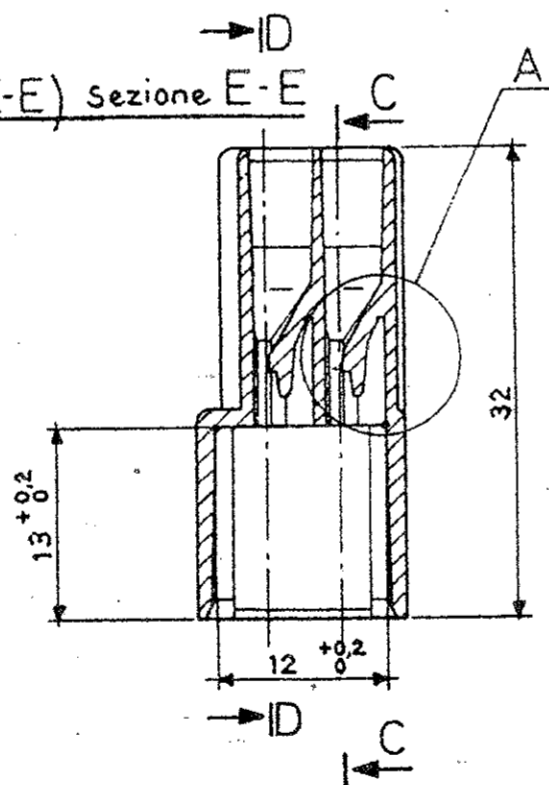
Sezione B-B (Section B-B)



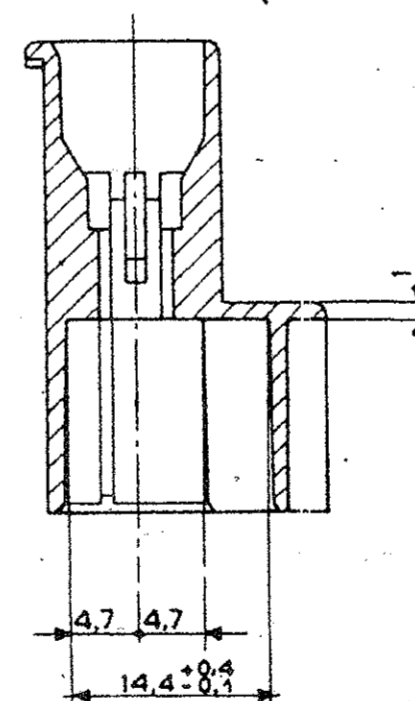
Sezione F-F (Section F-F)



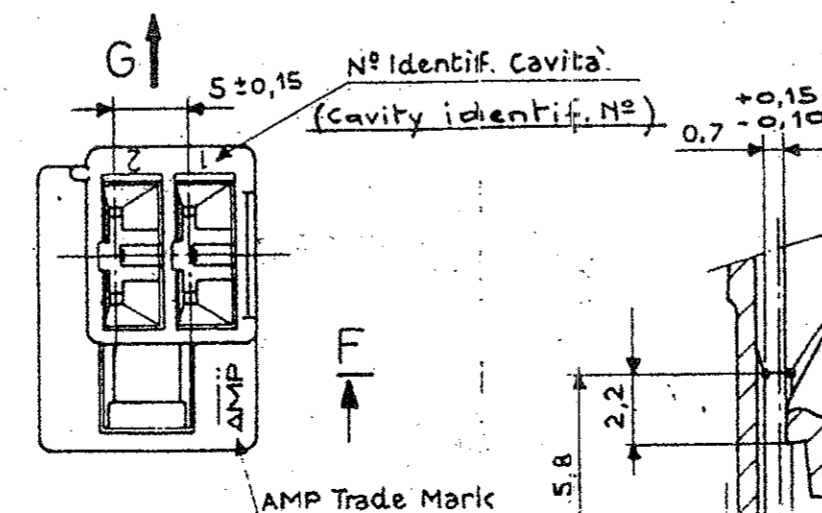
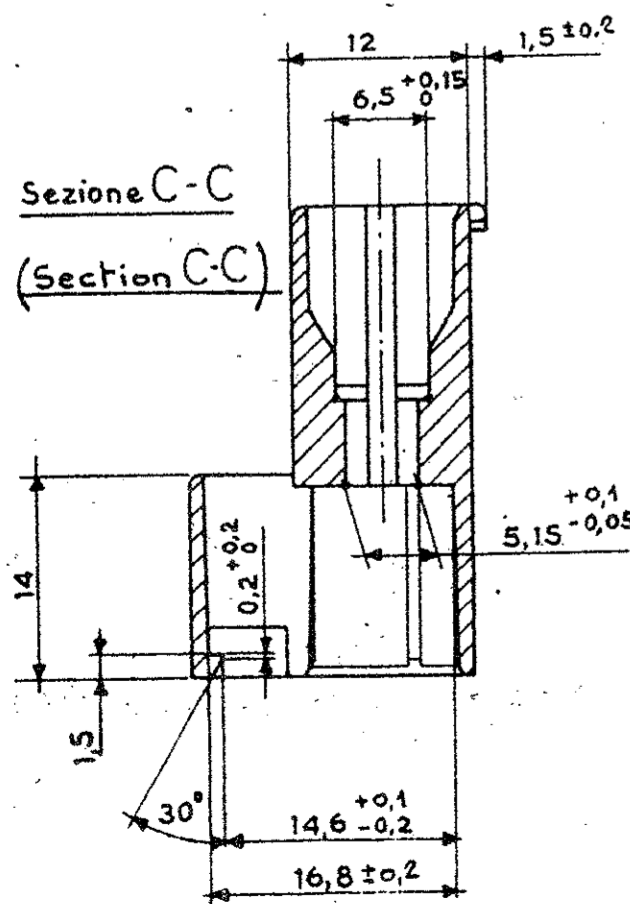
(Section E-E) Sezione E-E



Sezione D-D (Section D-D)



Sezione C-C (Section C-C)



Dettaglio A (Detail A)

Nero (BLACK)		281866 -3
Marrone (BROWN)		281866 -2
Naturale (CLEAR)	PA 6.6 30% car.Vetro (PA6.6 30% Glass filler)	281866 -1
FINITURA / COLORE (FINISH / COLOUR)	MATERIALE (MATERIAL)	NUMERO (PART NUMBER)

CUSTOMER DWG. FOR REFERENCE ONLY **DISEGNO PER CLIENTE SOLO PER RIFERIMENTO**

RELEASE FOR PUBLICATION 1987
 © COPYRIGHT 1987 BY AMP INCORPORATED, HARRISBURG, PA ALL RIGHTS RESERVED
 RESERVED AMP PRODUCTS MAY BE COVERED BY U.S. AND FOREIGN PATENT AND/OR PENDING

NOTE		FINISH / COLOUR		MATERIAL		PART NUMBER	
TOTAL SURFACE AREA SQ. mm		WIRE RANGE		UNLESS OTHERWISE SPECIFIED		ANGLES ± 0° 30'	
DIE / MOULD NO		INS. DIA RANGE		0 DEC. PLACE ± 0.3		1 DEC. PLACE ± 0.1	
DR O. CAHUTO (4th Apr. 1989)		TRIMMING BURRS NOT TO EXCEED mm		2 DEC. PLACE ± 0.05			
AMP Trade Mark		AMP		AMP ITALIA Sp.A.		CORSO F.lli Cervi, 15 COLLEGNO (TORINO)	
B Dim. 12 was 12.1		O.C.		NAME		5mm PITCH TAB HOUSING (2WAY)	
A Released for prod		O.C.		LOC		SIZE	
REV LTR		REVISION RECORD		E.C.N		DR	
		SCALE		DATE		DWG NO	
		I		A2		C-281866	
				REV		SHEET	
				B		1 di 1	

PRODUCT RESTRICTED TO FIAT S.P.A. AND FIAT SUBSIDIARIES HARNESS MAKERS

THIS INFORMATION IS CONFIDENTIAL AND IS DISCLOSED TO YOU ON CONDITION THAT NO FURTHER DISCLOSURE IS MADE BY YOU TO OTHER THAN AMP PERSONNEL WITHOUT WRITTEN AUTHORIZATION FROM AMP ITALIA S.p.A.